

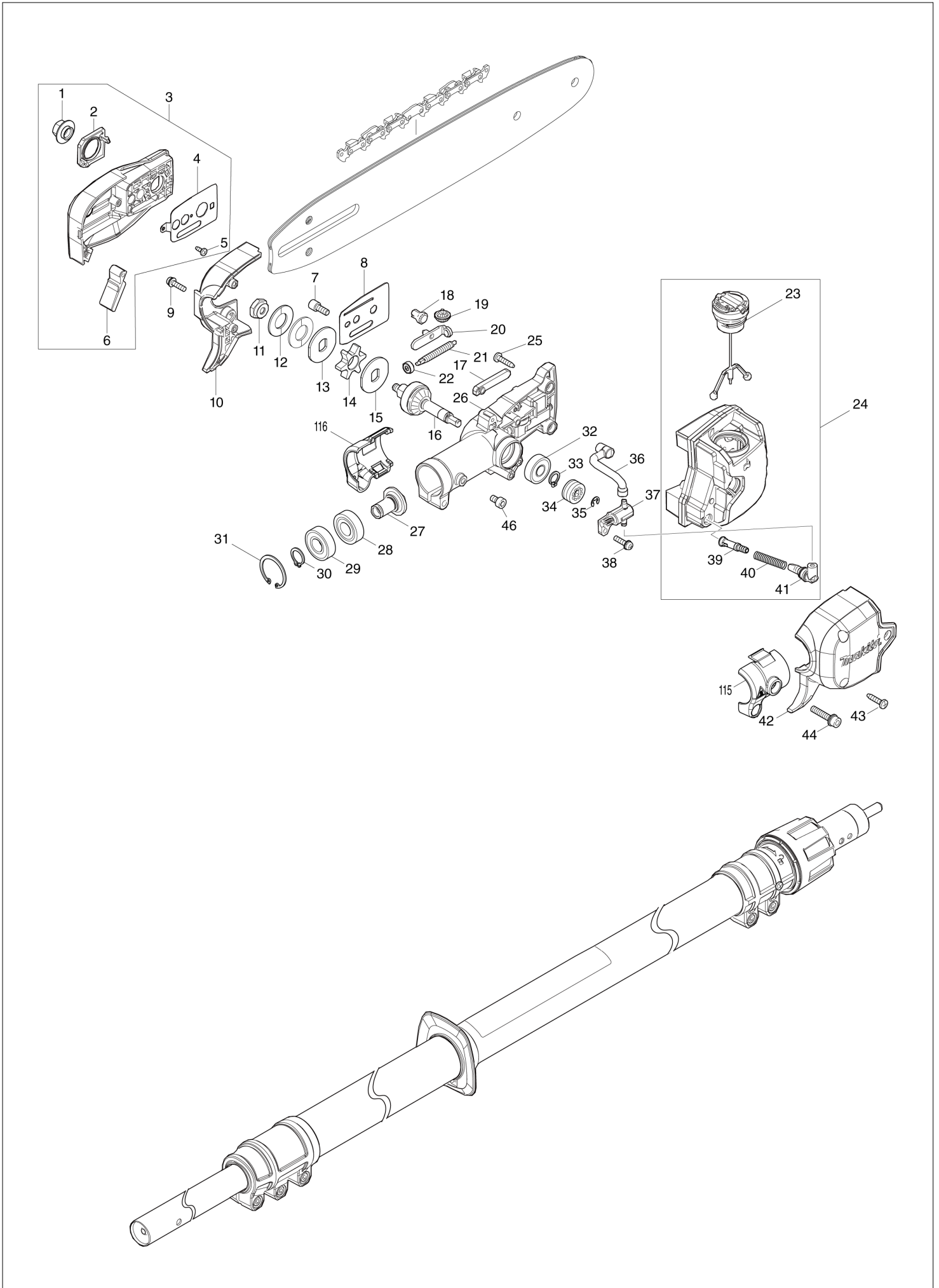


Diagram / Parts List

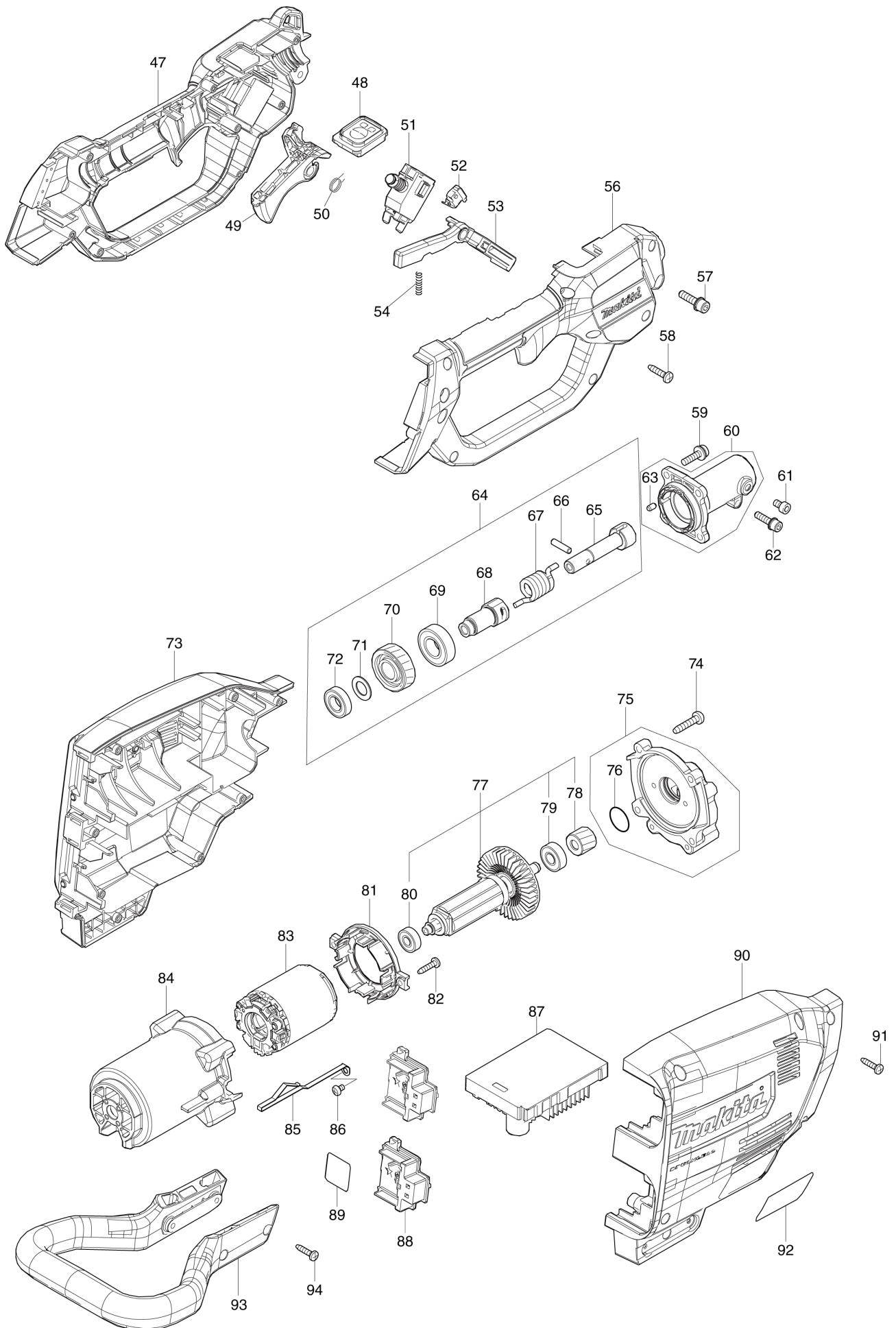
DUA301

300MM DC TELESCOPIC POLE SAW

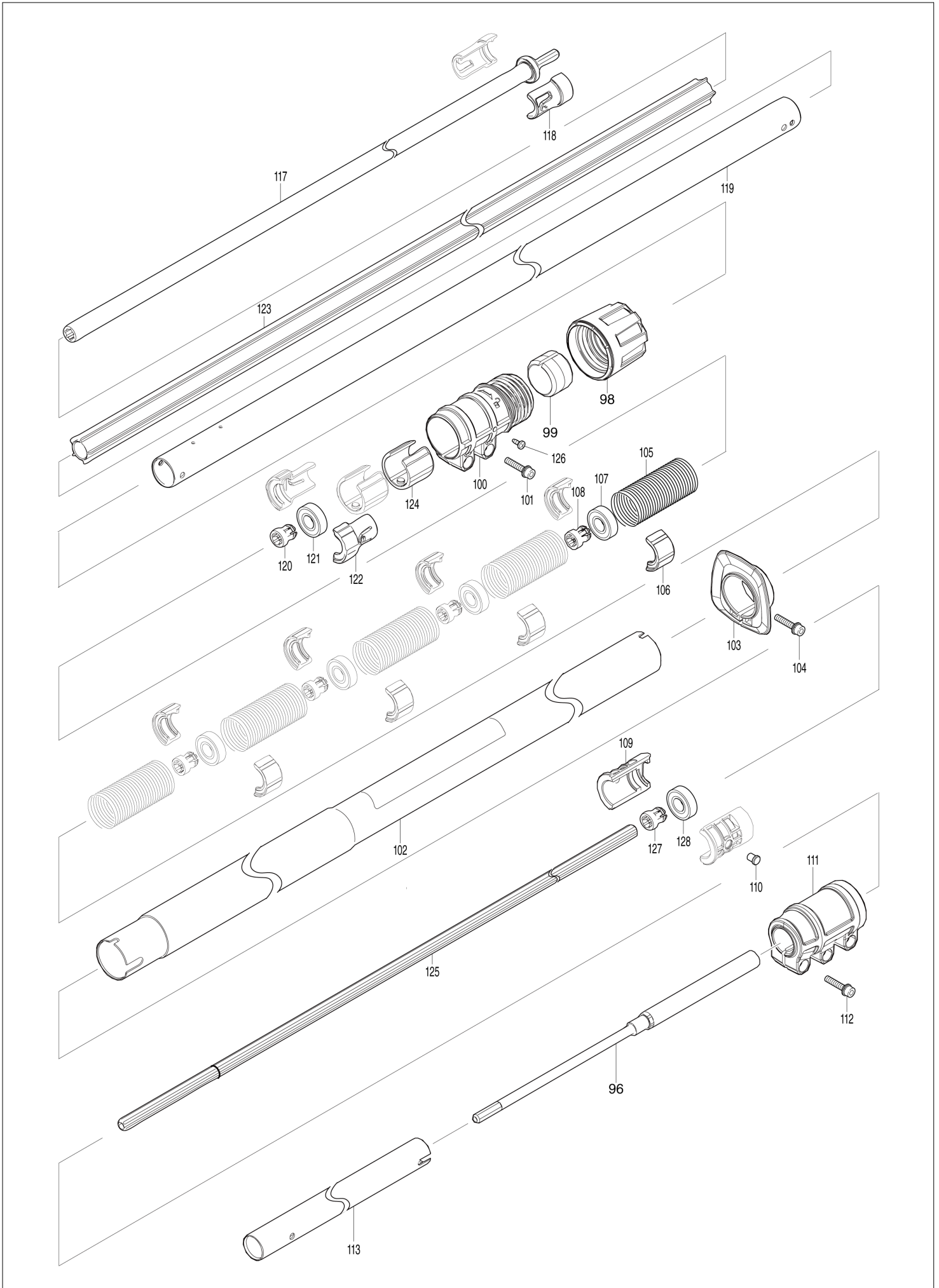
(IN) DUA301 / 300MM DC TELESCOPIC POLE SAW



(IN) DUA301 / 300MM DC TELESCOPIC POLE SAW



(IN) DUA301 / 300MM DC TELESCOPIC POLE SAW



IN

INDIA

DUA301 / 300MM DC TELESCOPIC POLE SAW

IN

Item	Sub	Parts No.	Parts Description	Qty	I/C	E/C No.	Close No.	Remark
001		162494-8	FLANGE NUT COMPLETE	1				
002		412638-3	NUT COVER	1				
003		136373-6	SPROCKET COVER ASSY	1				
	D10		INC. 1,2,4-6					
004		347707-0	GUIDE PLATE L	1				
005		265954-0	TAPPING SCREW BIND PT3X8	1				
006		422599-9	CHIP GUIDE	1				
007		266905-6	H.L. SOCKET HEAD BOLT M5X12	1				
008		347708-8	GUIDE PLATE R	1				
009		911128-8	P.H.SCREW M4X16 WITH WR	2				
010		183P83-2	GEAR CASE HOUSING SET	1				
	D10		INC. 42					
011		252291-1	HEX. NUT M6	1				
012		232626-2	CORNED DISK SPRING 14	2				
013		347705-4	LOCK WASHER 12	1				
014		226992-7	SPROCKET 6	1				
015		347705-4	LOCK WASHER 12	1				
016		141D34-9	SPINDLE COMPLETE A	1				
017		422602-6	GROMET	1				
018		227620-7	DRIVE GEAR	1				
019		227634-6	STRAIGHT BEVEL GEAR 14	1				
020		347706-2	TENSION SLIDE	1				
021		327606-2	ADJUST SCREW	1				
022		227496-2	STRAIGHT BEVEL GEAR 14	1				
023		126832-8	TANK CAP ASSEMBLY	1				
	C10	213894-6	O-RING 25	1				
024		136372-8	OIL TANK ASSEMBLY	1				
	D10		INC. 23,39-41					
025		266326-2	TAPPING SCREW 4X18	3				
026		136301-1	GEAR CASE ASSEMBLY	1				
	C10	213437-4	O RING 28	1				
027		141D35-7	SPIRAL BEVEL GEAR 18 COMPLETE	1				
028		211131-2	BALL BEARING 6001DDW	1				
029		211148-5	BALL BEARING 6001ZZ	1				
030		961052-5	RETAINING RING S-12	1				
031		962106-1	RETAINING RING R-28	1				
032		211491-2	BALL BEARING 609DDW	1				
033		961005-4	RETAINING RING S-9	1				
034		226884-0	WORM GEAR	1				
035		961011-9	STOP RING E-4	1				
036		422600-0	OIL TUBE 3-70	1				
037		140U04-7	OIL PUMP COMPLETE	1				
038		911128-8	P.H.SCREW M4X16 WITH WR	1				
039		452666-6	NIPPLE	1				
040		231975-4	SPRING	1				
041		422601-8	OIL TUBE 3-14	1				
042		183P83-2	GEAR CASE HOUSING SET	1				
	D10		INC. 10					
043		266326-2	TAPPING SCREW 4X18	3				
044		922243-3	HEX. SOCKET HEAD BOLT M5X25	1				
046		922202-7	HEX. SOCKET HEAD BOLT M5X8	1				
047		183P85-8	GRIP SET	1				
	C10	931202-6	HEX. NUT M5	1				
	D10		INC. 56					
048		140V21-3	SWITCH CIRCUIT COMPLETE	1				
	C10	819S81-5	SWITCH LABEL	1				
049		459758-2	SWITCH LEVER	1				
050		233622-3	TORSION SPRING 12	1				
051		651438-8	SWITCH C3JW-6B-PAN	1				
052		632G61-0	SWITCH UNIT	1				
053		459759-0	LOCK OFF LEVER	1				
054		233101-1	COMPRESSION SPRING 4	1				
056		183P85-8	GRIP SET	1				
	C10	931202-6	HEX. NUT M5	1				
	D10		INC. 47					

B:DUA301PT2(H)

Interchange

O : Yes

X : No

< : the new part can be substituted for the current.

> : the current part can be substituted for the new.

S : Interchangeable as a set.

IN

INDIA

DUA301 / 300MM DC TELESCOPIC POLE SAW

IN

Item	Sub	Parts No.	Parts Description	Qty	I/C	E/C No.	Close No.	Remark
057		922233-6	H.S.H.BOLT M5X20 WITH WR	1				
058		266326-2	TAPPING SCREW 4X18	8				
059		911233-1	PAN HEAD SCREW M5X20	4				
060		136371-0	PIPE BRACKET ASSY	1				
	D10		INC. 63					
061		922202-7	HEX. SOCKET HEAD BOLT M5X8	1				
062		922233-6	H.S.H.BOLT M5X20 WITH WR	1				
063		263002-9	RUBBER PIN 4	1				
064		127641-8	DAMPER SHAFT ASSEMBLY	1				
	D10		INC. 65-72					
065		327600-4	JOINT SLEEVE	1				
066		256964-8	PIN 5	1				
067		232625-4	TORSION SPRING 12	1				
068		327601-2	SPINDLE HUB	1				
069		211232-6	BALL BEARING 6002LLU	1				
070		226997-7	HELICAL GEAR 33	1				
071		253744-3	FLAT WASHER 12	1				
072		211150-8	BALL BEARING 6901ZZ	1				
073		183P84-0	HOUSING SET	1				
	C10	263005-3	RUBBER PIN 6	10				
	D10		INC. 90					
074		266459-3	TAPPING SCREW 5X25	4				
075		136231-6	GEAR BOX ASS'Y	1				
	D10		INC. 76					
076		213961-7	O RING 22	1				
077		510470-0	ROTOR ASS'Y	1				
	D10		INC. 78-80					
078		226996-9	HELICAL GEAR 16	1				
079		210005-4	BALL BEARING 608DDW	1				
080		210062-2	BALL BEARING 607ZZ	1				
081		459764-7	BAFFLE PLATE	1				
082		266326-2	TAPPING SCREW 4X18	2				
083		629A12-6	STATOR	1				
084		459763-9	MOTOR HOUSING	1				
087		620C84-6	CONTROLLER	1				
088		644809-6	TERMINAL	2				
089		857J46-5	DUA301 SERIAL NO. LABEL	1				
090		183P84-0	HOUSING SET	1				
	C10	263005-3	RUBBER PIN 6	10				
	D10		INC. 73					
091		266326-2	TAPPING SCREW 4X18	8				
092		857J43-1	DUA301 NAME PLATE	1				
093		412645-6	GUARD	1				
094		266326-2	TAPPING SCREW 4X18	4				
096		140V20-5	SHAFT C COMPLETE	1				
	C10	162823-5	SPINDLE D COMPLETE	1				
098		412631-7	LOCK RING	1				
099		412632-5	LOCK SLEEVE	1				
100		412630-9	LOCK SCREW	1				
	C10	931202-6	HEX. NUT M5	2				
101		922243-3	HEX. SOCKET HEAD BOLT M5X25	2				
102		140V15-8	PIPE 38 COMPLETE B	1				
	C10	8016N5-5	CAUTION LABEL	1				
103		412634-1	GRIP END 38	1				
104		922243-3	HEX. SOCKET HEAD BOLT M5X25	1				
105		232624-6	COMPRESSION SPRING 28	5				
106		413312-6	DRIVE BUSH	8				
107		211148-5	BALL BEARING 6001ZZ	4				
108		412625-2	SLIDE BUSH	4				
109		412633-3	PIPE SLEEVE 24	2				
110		327599-3	SHOULDER PIN 6	1				
111		412629-4	PIPE JOINT	1				
112		922243-3	HEX. SOCKET HEAD BOLT M5X25	3				
113		140V18-2	PIPE 24 COMPLETE	1				
115		183R91-5	GEAR CASE COVER SET	1				

B:DUA301PT2(H)

Interchange

O : Yes

X : No

< : the new part can be substituted for the current.

> : the current part can be substituted for the new.

S : Interchangeable as a set.

