

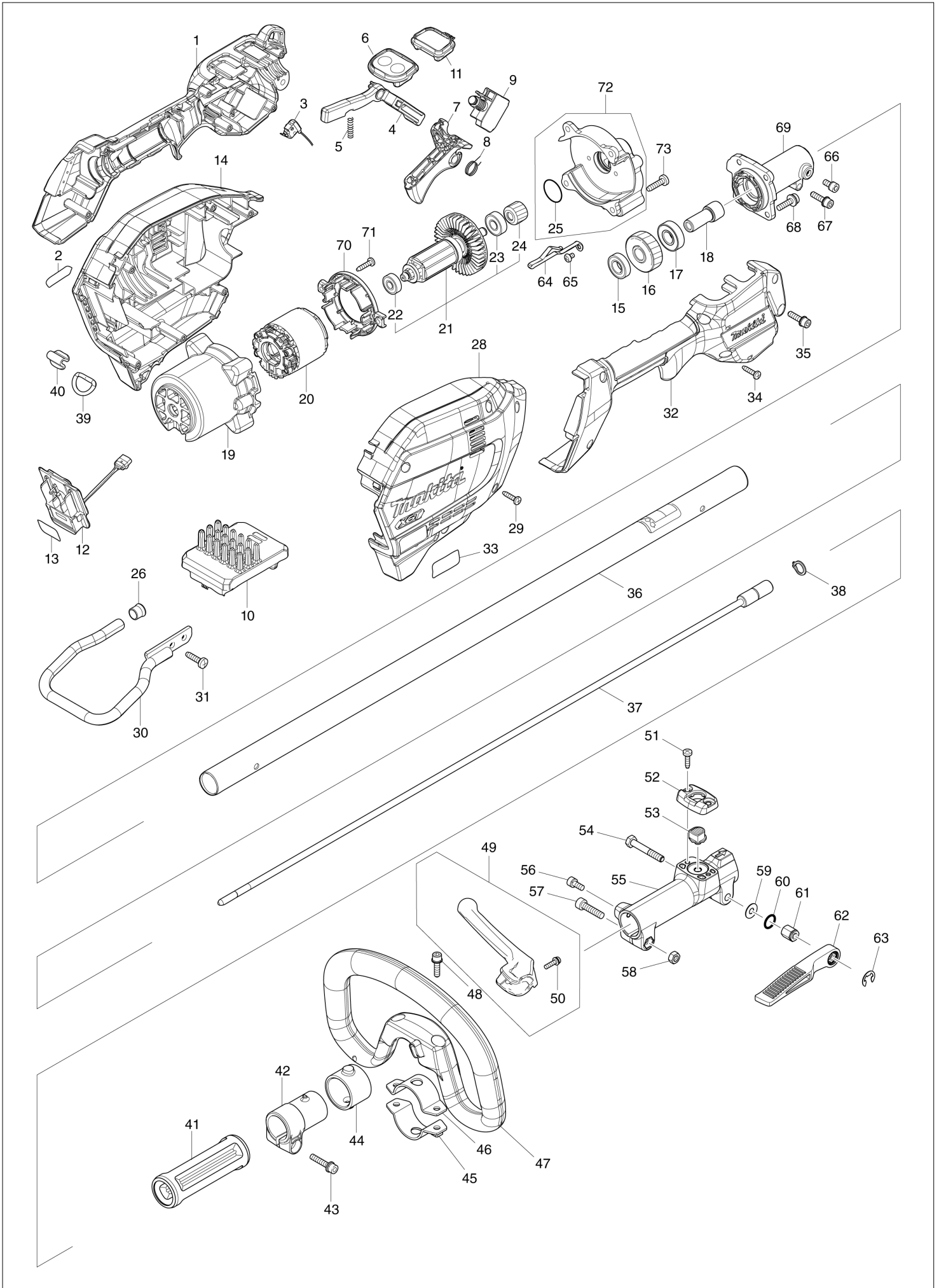


# Diagram / Parts List

**UX01G**

**CRDLSS MULTI FNCTN POWER HEAD**

# (IN) UX01G / CRDLSS MULTI FNCTN POWER HEAD



IN

INDIA

## UX01G / CRDLSS MULTI FNCTN POWER HEAD

IN

Item	Sub	Parts No.	Parts Description	Qty	I/C	E/C No.	Close No.	Remark
001		183N26-2	GRIP SET	1				
	D10		INC. 32					
002		8025F3-0	XGT LOGO LABEL	1				
004		459759-0	LOCK OFF LEVER	1				
005		233101-1	COMPRESSION SPRING 4	1				
006		140W64-1	SWITCH CIRCUIT COMPLETE G	1				
	C10	8025F0-6	SWITCH LABEL	1				
007		459758-2	SWITCH LEVER	1				
008		233622-3	TORSION SPRING 12	1				
009		651436-2	SWITCH C3JW-1A-P-2	1				
010		620D97-3	CONTROLLER	1				
011		140W63-3	INDICATION CIRCUIT COMPLETE	1				
012		632P49-4	TERMINAL UNIT	1				
013		8026A4-9	UX01G SERIAL NO. LABEL	1				
014		183R88-4	HOUSING SET	1				
	C10	263005-3	RUBBER PIN 6	2				
	D10		INC. 28					
015		211150-8	BALL BEARING 6901ZZ	1				
016		227848-7	HELICAL GEAR 33	1				
017		211131-2	BALL BEARING 6001DDW	1				
018		325811-5	SPINDLE HUB	1				
019		412961-6	MOTOR HOUSING	1				
020		629A25-7	STATOR	1				
021		519647-4	ROTOR ASS'Y	1				
	D10		INC. 22-24					
022		210062-2	BALL BEARING 607ZZ	1				
023		210005-4	BALL BEARING 608DDW	1				
024		227834-8	HELICAL GEAR 16	1				
025		213961-7	O RING 22	1				
026		422230-7	CAP	1				
028		183R88-4	HOUSING SET	1				
	C10	263005-3	RUBBER PIN 6	2				
	D10		INC. 14					
029		266326-2	TAPPING SCREW 4X18	6				
030		347752-5	BATTERY GUARD	1				
031		266420-0	TAPPING SCREW 5X20	2				
032		183N26-2	GRIP SET	1				
	D10		INC. 1					
033		8025Y8-3	UX01G NAME PLATE	1				
034		266326-2	TAPPING SCREW 4X18	6				
035		922233-6	H.S.H.BOLT M5X20 WITH WR	1				
036		140W68-3	SHAFT PIPE B COMPLETE	1				
	C10	8025E8-3	CAUTION LABEL	1				
037		141238-9	SHAFT B COMPLETE	1				
038		961052-5	RETAINING RING S-12	1				
039		327742-4	D RING 20	1				
040		347783-4	RING SUPPORT	1				
041		451601-1	SPACER 24	1				
042		457269-1	PIPE HOLDER 24	1				
043		922244-1	H.S.H.BOLT M5X25 WITH WG	1				
044		424942-8	DAMPER	1				
045		347114-7	LOWER CLAMP 35	1				
046		347113-9	UPPER CLAMP 35	1				
047		457772-2	LOOP HANDLE	1				
	C10	263005-3	RUBBER PIN 6	1				
048		922234-4	H.S.H.BOLT M5X20 WITH WG	2				
049		144315-6	BARRIER COMPLETE	1				
	D10		INC. 50					
050		911128-8	P.H.SCREW M4X16 WITH WR	1				
051		266034-5	TAPPING SCREW CT 4X16	2				
052		452840-6	RELEASE BUTTON COVER	1				
053		452839-1	RELEASE BUTTON	1				
054		265596-0	HEX.BOLT M6X40	1				
055		318750-6	JOINT 24	1				
056		922211-6	H.S.H.BOLT M5X12 WITH W	1				

Interchange  
O : Yes  
X : No  
< : the new part can be substituted for the current.  
> : the current part can be substituted for the new.  
S : Interchangeable as a set.

