

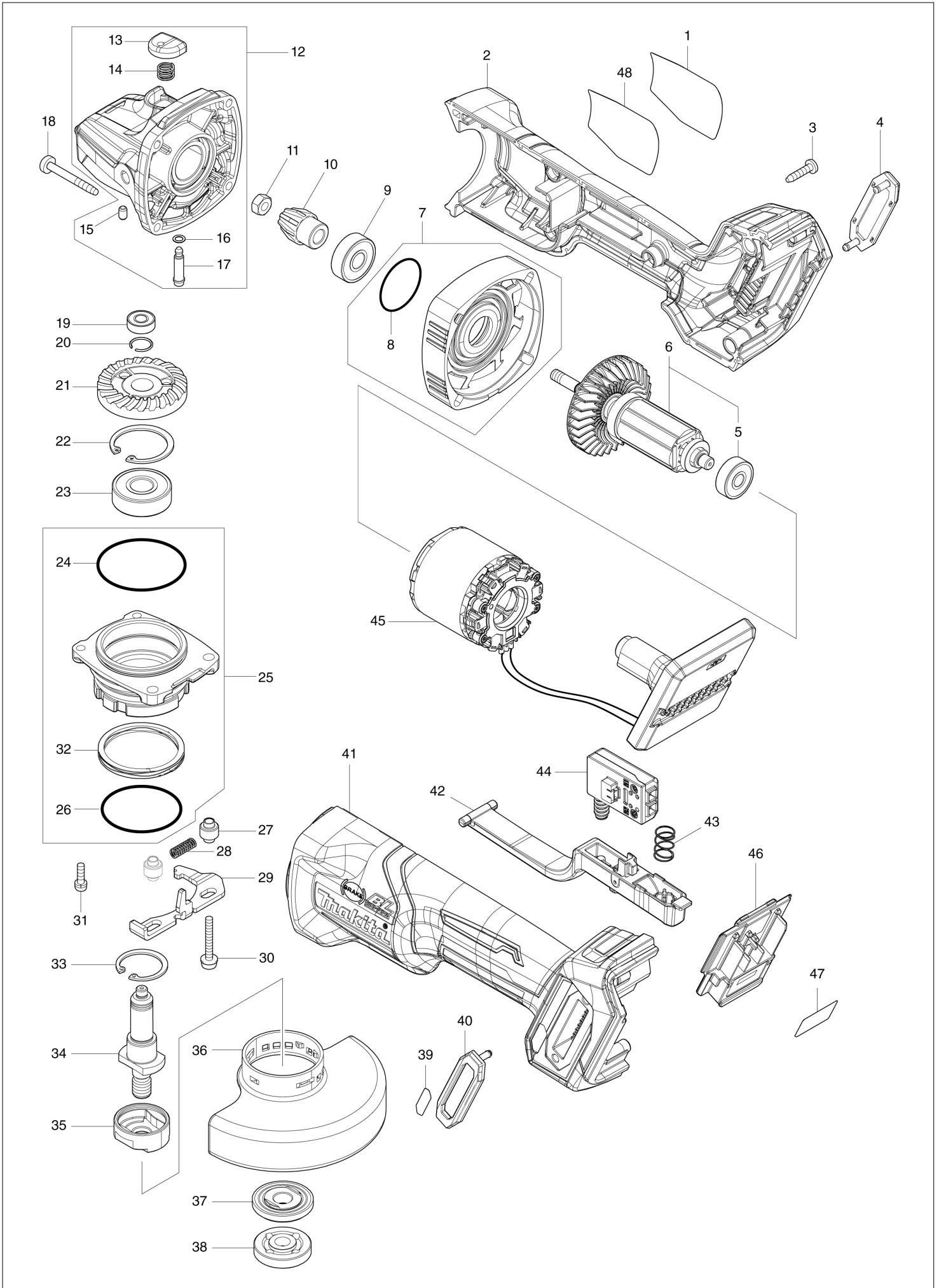


Diagram / Parts List

GA011G

100MM CORDLESS ANGLE GRINDER

(IN) GA011G / 100MM CORDLESS ANGLE GRINDER



GA011G / 100MM CORDLESS ANGLE GRINDER

Item	Sub	Parts No.	Parts Description	Qty	I/C	E/C No.	Close No.	Remark
001		8008U5-3	CLEAR LABEL	1				
002		183P29-8	MOTOR HOUSING SET	1				
	C10	263005-3	RUBBER PIN 6	2				
	D10		INC. 41					
003		266326-2	TAPPING SCREW 4X18	5				
004		422563-0	DUST COVER	1				
005		210023-2	BALL BEARING 627DDW	1				
006		519595-7	ROTOR ASS'Y	1				
	D10		INC. 5					
007		136190-4	GEAR HOUSING COVER ASS'Y	1				
	D10		INC. 8					
008		213445-5	O-RING 26	1				
009		210042-8	BALL BEARING 629LLB	1				
010		226976-5	SPIRAL BEVEL GEAR 10	1				
011		252186-8	HEX. NUT M6	1				
012		136198-8	GEAR HOUSING ASS'Y	1				
	D10		INC. 13-17					
013		412234-7	PIN CAP	1				
014		233072-2	COMPRESSION SPRING 8	1				
015		263002-9	RUBBER PIN 4	1				
016		213960-9	O RING 5	1				
017		256546-6	SHOULDER PIN 4	1				
018		266048-4	TAPPING SCREW 4X40	4				
019		210006-2	BALL BEARING 696ZZ	1				
020		233950-6	RING SPRING 11	1				
021		226862-0	SPIRAL BEVEL GEAR 37	1				
022		962151-6	RETAINING RING R-32	1				
023		211129-9	BALL BEARING 6201DDW	1				
024		213622-9	O RING 45	1				
025		136262-5	BEARING BOX ASS'Y	1				
	D10		INC. 24,26,32					
026		213510-0	O RING 36	1				
027		327322-6	SLEEVE 4	2				
028		232490-1	COMPRESSION SPRING 4	1				
029		347641-4	LEVER B	1				
030		911159-7	PAN HEAD SCREW M4X30	2				
031		911138-5	P.H.SCREW M4X20 WITH WR	2				
032		232542-8	SCROW WAVE SPRING 41	1				
033		962105-3	RETAINING RING R-26	1				
034		326669-5	SPINDLE	1				
035		310516-0	LEAD FLANGE B	1				
036		347478-9	WHEEL COVER 100	1				
037		224483-2	INNER FLANGE 30	1				
038		224559-5	LOCK NUT 10-30	1				
039		8007R2-2	XGT LOGO LABEL	1				
040		422563-0	DUST COVER	1				
041		183P29-8	MOTOR HOUSING SET	1				
	C10	263005-3	RUBBER PIN 6	2				
	D10		INC. 2					
042		140T33-4	SWITCH LEVER COMPLETE	1				
043		233263-5	COMPRESSION SPRING 9	1				
044		651083-9	SWITCH C3XA-1PSPM	1				
045		629480-7	STATOR COMPLETE	1				
046		632P65-6	TERMINAL UNIT	1				
047		856Y14-5	GA011G SERIAL NO. LABEL	1				
048		856Y11-1	GA011G NAME PLATE	1				
A01		158237-4	GRIP 36 COMPLETE	1				
A02		A-80852	GRINDING WHEEL 100X6X16	1				
A03		782420-7	LOCK NUT WRENCH 20	1				
A04B		412393-7	BATTERY COVER	2				
A05B		***DC40RA	DC40RA FAST CHARGER	1				
	D10		COMPO-PARTS					
A06B		191B31-3	BATTERY BL4040 SET	2				
A07B		821552-6	CONNECTOR PLASTIC CASE (TYPE4)	1				
	C10	453974-8	LATCH	4				

B:GA011GM201(H)

Interchange
O : Yes
X : No
< : the new part can be substituted for the current.
> : the current part can be substituted for the new.
S : Interchangeable as a set.

