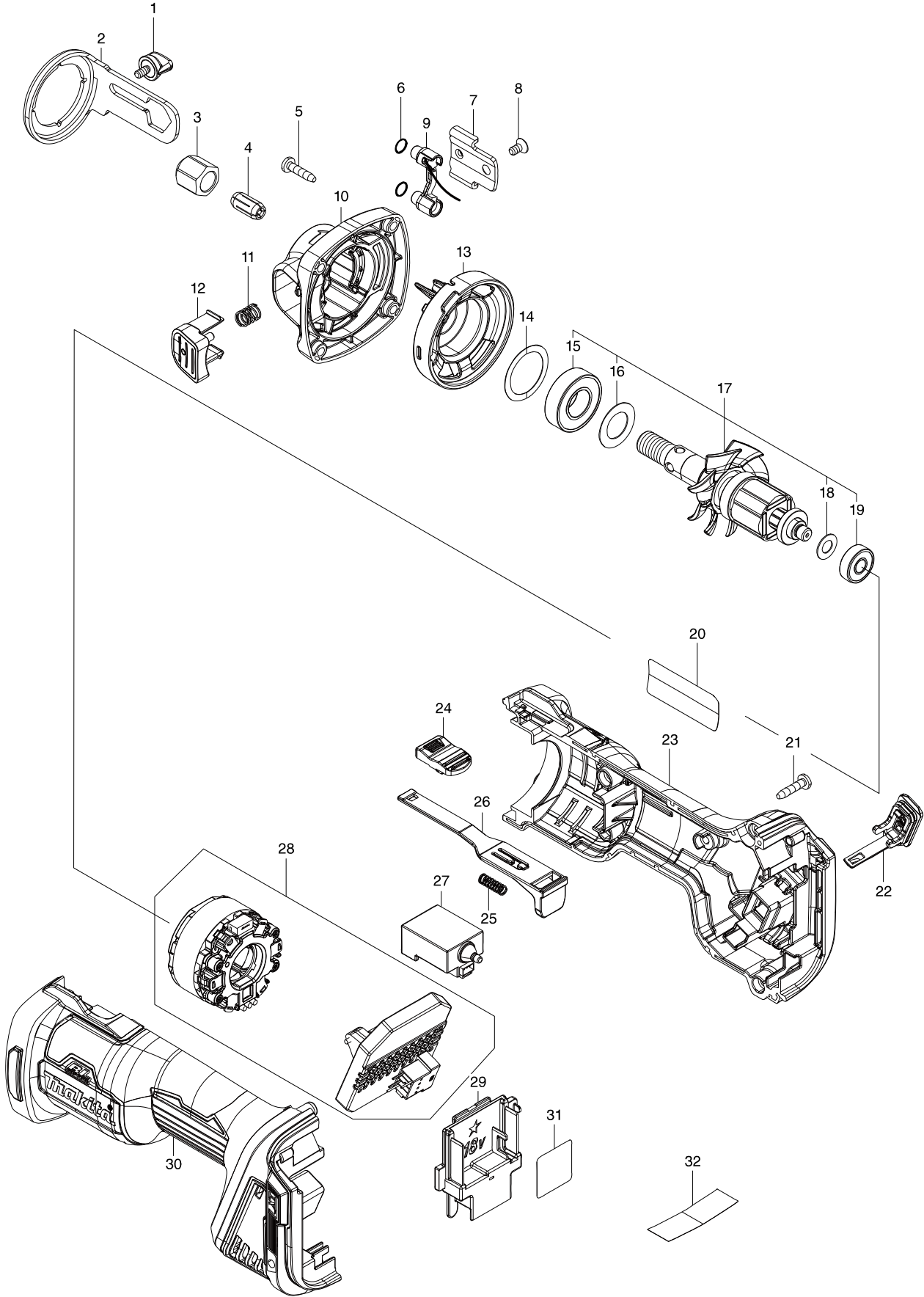


Model No. DCO181 CORDLESS CUT-OUT TOOL



Model No. DCO181 CORDLESS CUT-OUT TOOL

Item	Parts No.	Description	I/C	Qty	N/O	Opt. 1	Opt. 2	Note
001	266898-7	THUMB SCREW M4X8		1				
002	346796-2	SHOE PLATE		1				
003	763258-9	COLLET NUT		1				
004	763677-9	COLLET CONE 3.18		1				
005	266326-2	TAPPING SCREW 4X18		4		73181500		
006	213048-5	O RING 6		2		40169320		
007	346795-4	SHOE SUPPORT		1				
008	265085-5	+ COUNTERSUNK HEAD SCREW M4X		1		73181500		
009	620D25-8	LED CIRCUIT		1				
010	140V89-9	BEARING BOX COVER COMPLETE		1				
011	234332-5	COMPRESSION SPRING 7		1				
012	412727-4	SHAFT LOCK		1				
013	412702-0	BEARING BOX		1				
014	267785-3	WAVE WASHER 23		1		73182200		
015	211236-8	BALL BEARING 6002DDW		1		84821090		
016	267164-5	FLAT WASHER 15		1		73182200		
017	519636-9	ROTOR ASS'Y		1				
D10		INC. 15,16,18,19						
018	253186-1	FLAT WASHER 7		1		84679900		
019	210017-7	BALL BEARING 607DDW		1		84821090		
020	857P76-2	DCO181 NAME PLATE		1				
021	266326-2	TAPPING SCREW 4X18		5		73181500		
022	140G30-2	CAP COMPLETE		1				
C10	213218-6	O RING 16		1		40169320		
023	183R26-6	HOUSING SET		1				
C10	263005-3	RUBBER PIN 6		2		40169390		
C20	252126-6	HEX. LOCK NUT M4-7		1		73181500		
D10		INC. 30						
024	455447-7	SWITCH KNOB		1				
025	233121-5	COMPRESSION SPRING 4		1		73209090		
026	412233-9	SWITCH LEVER		1		84679900		
027	651445-1	SWITCH FPM-1130		1		85365090		
028	629A08-7	STATOR COMPLETE		1				
029	643874-2	TERMINAL		1		73182990		
030	183R26-6	HOUSING SET		1				
C10	263005-3	RUBBER PIN 6		2		40169390		
C20	252126-6	HEX. LOCK NUT M4-7		1		73181500		
D10		INC. 23						
031	857P84-3	DCO181 SERIAL NO. LABEL		1				
A01	193449-2	DUST COLLECTION COVER		1		84679900		
A02	191G69-8	DRYWALL GUIDE BIT 3.18 SET		2				
A04	781037-3	WRENCH 17		1		82041120		
A05B	***DC18RC	DC18RC FAST CHARGER		1				
D10		COMPO-PARTS						
A06B	198013-4	BATTERY BL1850B SET		2				
A07B	450128-8	BATTERY COVER		1		39269099		
A08B	821550-0	CONNECTOR PLASTIC CASE (TYPE2)		1		85369090		
C10	453974-8	LATCH		4				

