



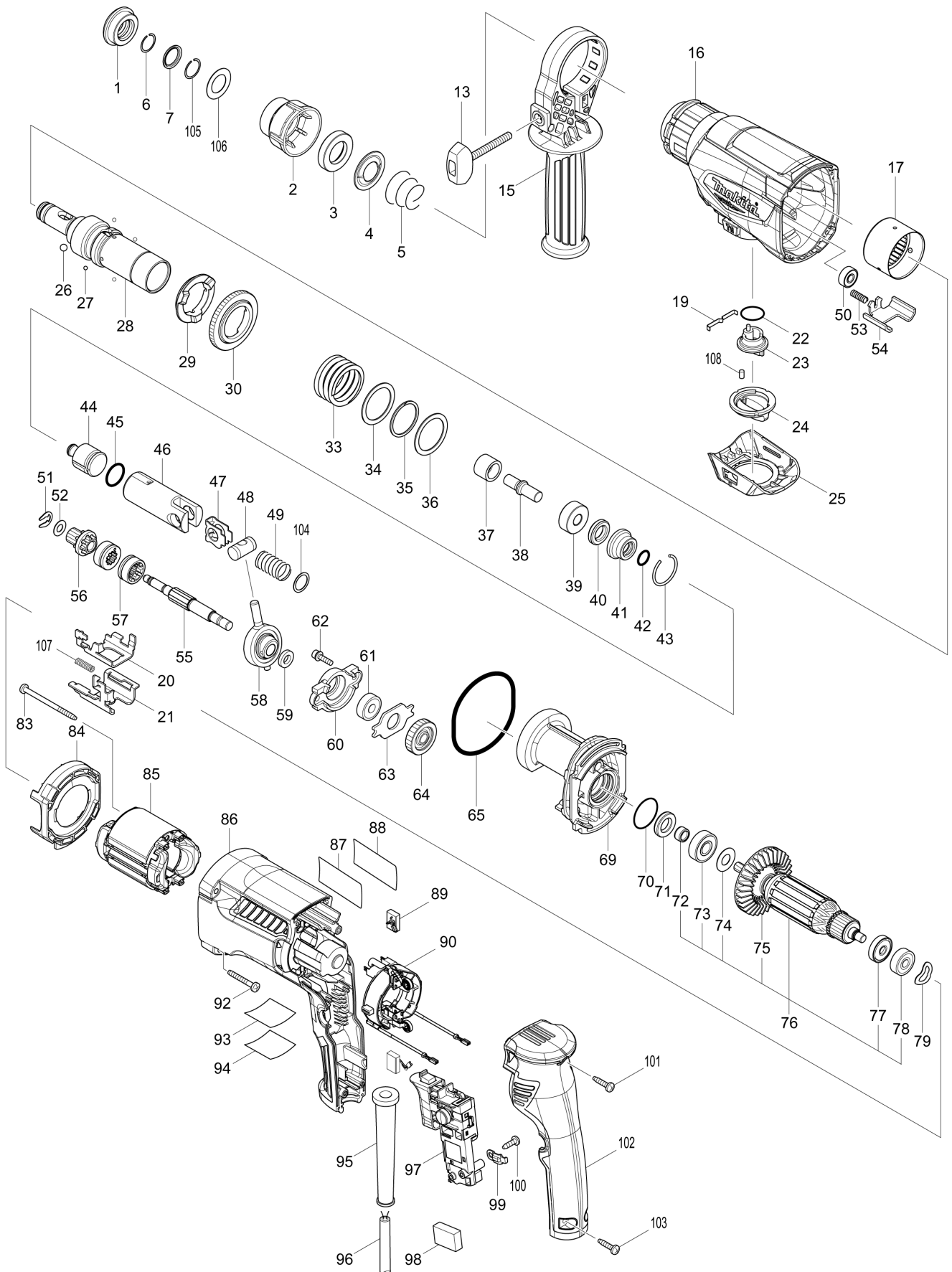
Diagram / Parts List

M8701

26MM COMBINATION HAMMER



(IN) M8701 / 26MM COMBINATION HAMMER



| | |
|-----------|--------------|
| IN | INDIA |
|-----------|--------------|

M8701 / 26MM COMBINATION HAMMER

| Item | Sub | Parts No. | Parts Description | Qty | I/C | E/C No. | Close No. | Remark |
|------|-----|-----------|-----------------------------|-----|-----|---------|-----------|--------|
| 001 | | 286288-8 | CAP 35 | 1 | | | | |
| 002 | | 456529-8 | CHUCK COVER | 1 | | | | |
| 003 | | 325813-1 | RING 21 | 1 | | | | |
| 004 | | 346177-0 | GUIDE WASHER | 1 | | | | |
| 005 | | 233916-6 | CONICAL COMP. SPRING 21-29 | 1 | | | | |
| 006 | | 233989-9 | RING SPRING 14 | 1 | | | | |
| 007 | | 346834-0 | WASHER 16 | 1 | | | | |
| 013 | | 265795-4 | THUMB SCREW M6X52 | 1 | | | | |
| 015 | | 452985-0 | GRIP 34 | 1 | | | | |
| 016 | | 144216-8 | GEAR HOUSING COMPLETE | 1 | | | | |
| | C10 | 213636-8 | OIL SEAL 25 | 1 | | | | |
| 017 | | 143962-0 | NEEDLE BEARING COMPLETE | 1 | | | | |
| 019 | | 232286-0 | LEAF SPRING | 1 | | | | |
| 020 | | 347000-2 | CHANGE PLATE B | 1 | | | | |
| 021 | | 346999-8 | CHANGE PLATE A | 1 | | | | |
| 022 | | 213278-8 | O RING 17 | 1 | | | | |
| 023 | | 455392-6 | CHANGE LEVER | 1 | | | | |
| 024 | | 455394-2 | CHANGE LEVER CAP | 1 | | | | |
| 025 | | 456528-0 | CHANGE LEVER COVER | 1 | | | | |
| 026 | | 216022-2 | STEEL BALL 7.0 | 2 | | | | |
| 027 | | 216019-1 | STEEL BALL 3 | 4 | | | | |
| 028 | | 144215-0 | TOOL HOLDER COMPLETE | 1 | | | | |
| | C10 | 213344-1 | OIL SEAL 9 | 1 | | | | |
| 029 | | 332139-4 | DRIVING FLANGE | 1 | | | | |
| 030 | | 227360-7 | SPUR GEAR 51 | 1 | | | | |
| 033 | | 231899-4 | COMPRESSION SPRING 31 | 1 | | | | |
| 034 | | 267153-0 | FLAT WASHER 30 | 1 | | | | |
| 035 | | 257932-4 | SPIRO LOCK WASHER 30 | 1 | | | | |
| 036 | | 267153-0 | FLAT WASHER 30 | 1 | | | | |
| 037 | | 325782-6 | SLEEVE 9A | 1 | | | | |
| 038 | | 325789-2 | IMPACT BOLT A | 1 | | | | |
| 039 | | 325794-9 | RING 10A | 1 | | | | |
| 040 | | 424267-0 | CUSHION RING 12 | 1 | | | | |
| 041 | | 325798-1 | O-RING CASE A | 1 | | | | |
| 042 | | 213073-6 | O RING 9 | 1 | | | | |
| 043 | | 233979-2 | RING SPRING 28 | 1 | | | | |
| 044 | | 325784-2 | STRIKER | 1 | | | | |
| 045 | | 213258-4 | O RING 17.5 | 1 | | | | |
| 046 | | 310345-1 | PISTON CYLINDER | 1 | | | | |
| 047 | | 346036-8 | GUIDE PLATE | 1 | | | | |
| 048 | | 324215-8 | PISTON JOINT | 1 | | | | |
| 049 | | 234098-7 | COMPRESSION SPRING 14 | 1 | | | | |
| 050 | | 210137-7 | BALL BEARING 606ZZ | 1 | | | | |
| 051 | | 257336-0 | STOP RING EXT U-6 | 1 | | | | |
| 052 | | 253186-1 | FLAT WASHER 7 | 1 | | | | |
| 053 | | 233360-7 | COMPRESSION SPRING 4 | 1 | | | | |
| 054 | | 346998-0 | LOCK PLATE | 1 | | | | |
| 055 | | 326448-1 | CAM SHAFT | 1 | | | | |
| 056 | | 227359-2 | SPUR GEAR 10 | 1 | | | | |
| 057 | | 310678-4 | CLUTCH CAM | 2 | | | | |
| 058 | | 219021-3 | SWASH BEARING 10 | 1 | | | | |
| 059 | | 257321-3 | RING 8 | 1 | | | | |
| 060 | | 310344-3 | BEARING BOX | 1 | | | | |
| 061 | | 210046-0 | BALL BEARING 608ZZ | 1 | | | | |
| 062 | | 266437-3 | HEX. SOCKET HEAD BOLT M4X16 | 2 | | | | |
| 063 | | 285735-6 | BEARING RETAINER | 1 | | | | |
| 064 | | 227748-1 | HELICAL GEAR 27 | 1 | | | | |
| 065 | | 213727-5 | O-RING 63 | 1 | | | | |
| 069 | | 141664-2 | INNER HOUSING COMPLETE | 1 | | | | |
| | C10 | 443153-6 | FELT | 1 | | | | |
| 070 | | 213407-3 | O RING 26 | 1 | | | | |
| 071 | | 213678-2 | OIL SEAL 12 | 1 | | | | |
| 072 | | 262571-7 | SLEEVE 8 | 1 | | | | |
| 073 | | 211480-7 | BALL BEARING 6000ZZ | 1 | | | | |
| 074 | | 267213-8 | FLAT WASHER 10 | 1 | | | | |

A:M8701B(H)

Interchange
 O : Yes
 X : No
 < : the new part can be substituted for the current.
 > : the current part can be substituted for the new.
 S : Interchangeable as a set.

