



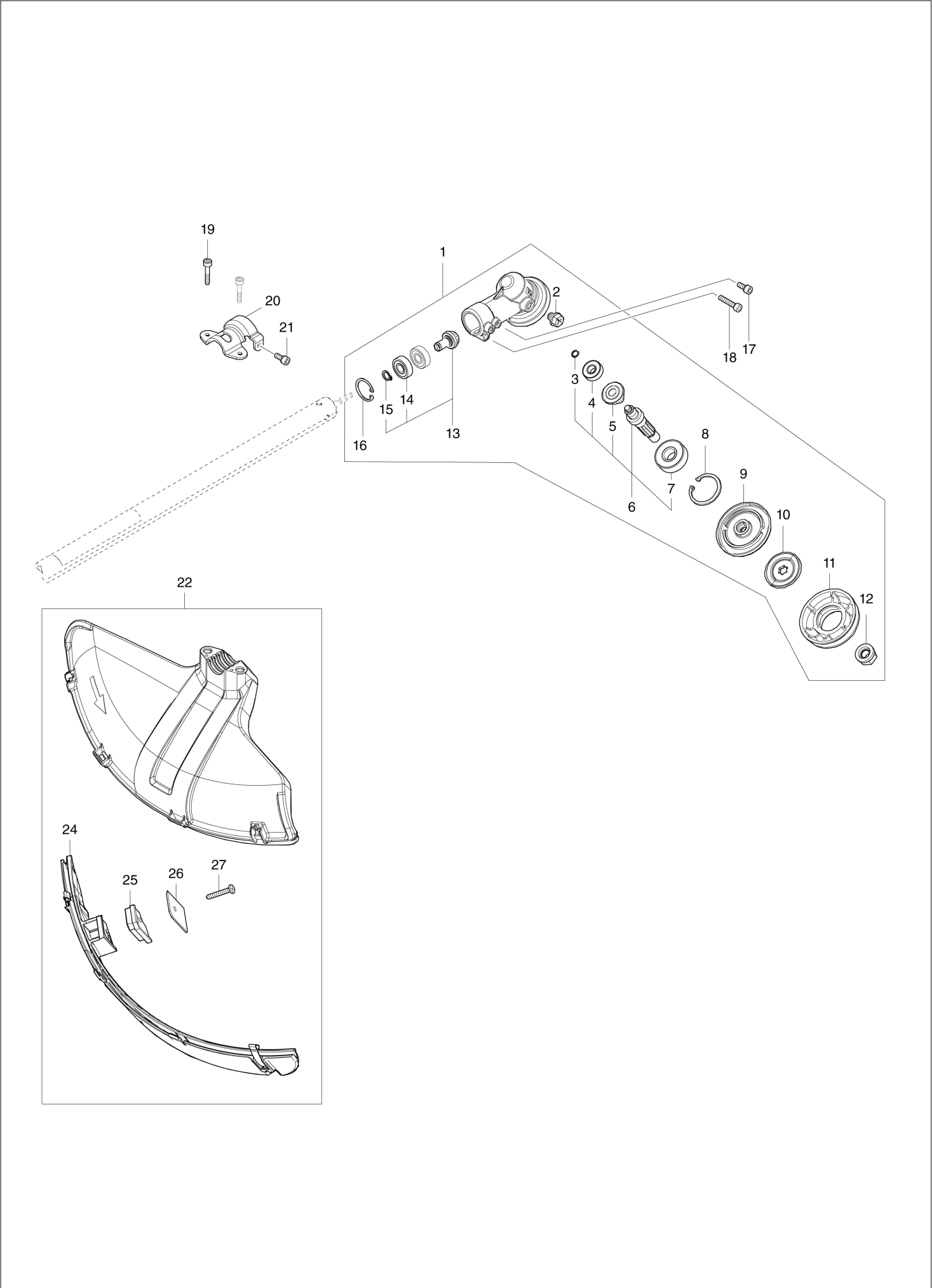
Diagram / Parts List

UR201C

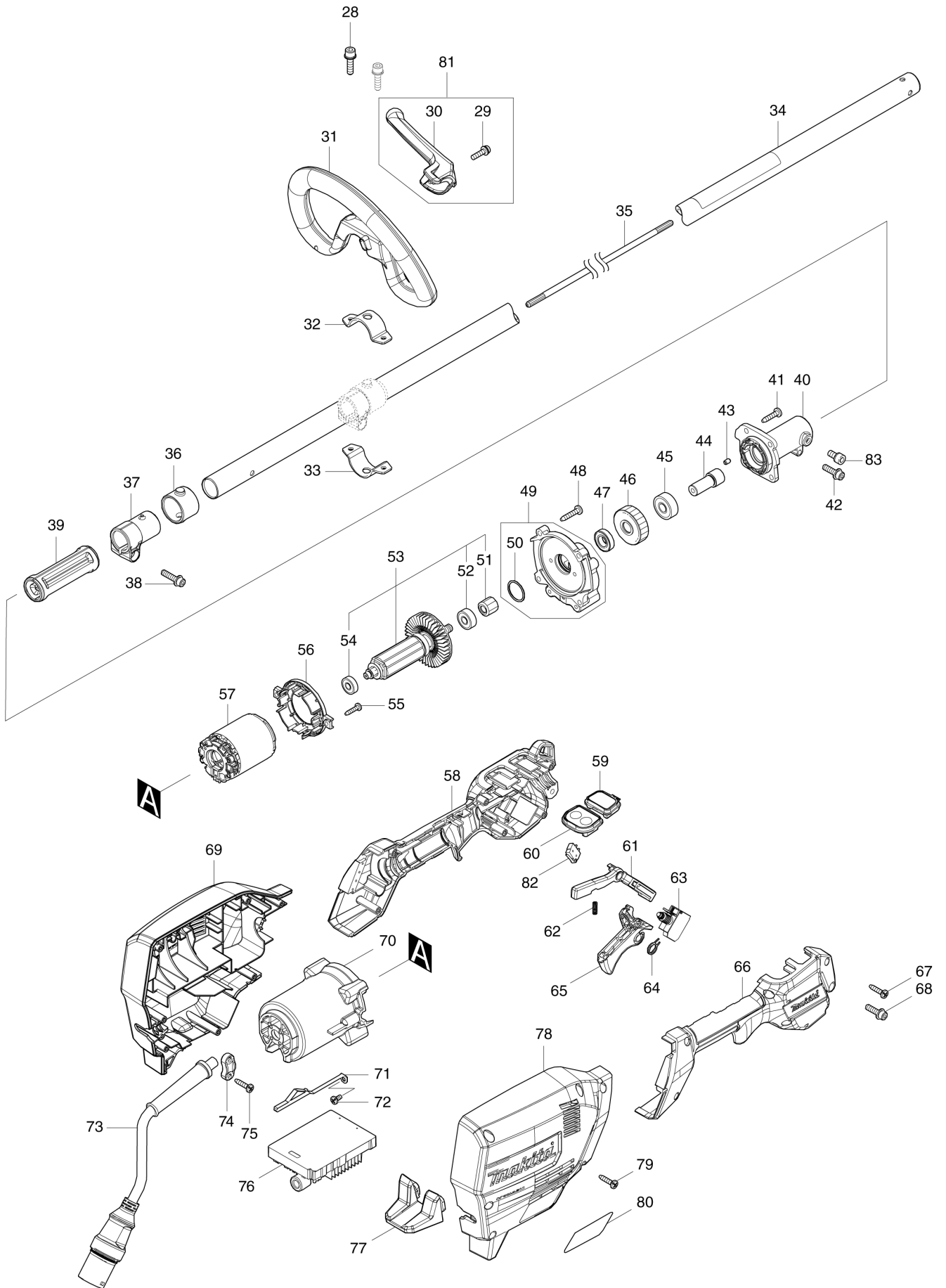
BATTERY POWERED GRASS TRIMMER



(IN) UR201C / BATTERY POWERED GRASS TRIMMER



(IN) UR201C / BATTERY POWERED GRASS TRIMMER



UR201C / BATTERY POWERED GRASS TRIMMER

Item	Sub	Parts No.	Parts Description	Qty	I/C	E/C No.	Close No.	Remark
001		123853-1	GEAR CASE ASSEMBLY	1				
	D10		INC. 2,6,8-13,16					
002		265590-2	+HEX.BOLT M8X10 WITH R	1				
003		232350-7	RING SPRING 6	1				
004		210030-5	BALL BEARING 627ZZ	1				
005		221484-1	SPIRAL BEVEL GEAR 19	1				
006		136233-2	CUTTER SHAFT ASS'Y	1				
	D10		INC. 3-5,7					
007		211228-7	BALL BEARING 6202DDW	1				
008		257432-4	RETAINING RING R-35	1				
009		144312-2	RECEIVE WASHER COMPLETE	1				
010		347104-0	CLAMP WASHER	1				
011		457274-8	CUP US	1				
012		252236-9	HEX. LOCK NUT M10-17	1				
013		136235-8	SPIRAL BEVEL GEAR ASS'Y	1				
	D10		INC. 14,15					
014		210049-4	BALL BEARING 609ZZ	2				
015		257986-1	RETAINING RING (EXT) S-9	1				
016		257987-9	RETAINING RING (INT)R-24	1				
017		922216-6	H.S.H.BOLT M5X14 WITH W	1				
018		922242-5	HEX. SOCKET HEAD BOLT M5X25	1				
019		251513-6	H.S.H.BOLT M5X25	2				
020		347107-4	PROTECTOR CLAMP 24	1				
021		922216-6	H.S.H.BOLT M5X14 WITH W	1				
022		191B54-1	PROTECTOR U 430 SET MG	1				
	D10		INC. 24-27					
024		144316-4	PROTECTOR U EXT. 420-450 COMP	1				
	C10	346696-6	HOOK	2		Y08677		
	C20	232284-4	LEAF SPRING	2		Y08677		
025		459765-5	CUTTER EXTENSION	1				
026		347115-5	CUTTER	1				
027		266459-3	TAPPING SCREW 5X25	1				
028		922234-4	H.S.H.BOLT M5X20 WITH WG	2				
029		911128-8	P.H.SCREW M4X16 WITH WR	1				
030		457268-3	BARRIER	1				
031		457267-5	LOOP HANDLE	1				
	C10	263005-3	RUBBER PIN 6	1				
032		347113-9	UPPER CLAMP 35	1				
033		347114-7	LOWER CLAMP 35	1				
034		140S82-5	SHAFT PIPE COMPLETE I	1				
	C10	819312-8	MAKITA LOGO LABEL	1				
	C20	819J22-7	CAUTION LABEL	1				
035		327056-1	SHAFT	1				
036		424942-8	DAMPER	1				
037		457269-1	PIPE HOLDER 24	1				
038		922244-1	H.S.H.BOLT M5X25 WITH WG	1				
039		451601-1	SPACER 24	1				
040		319919-5	PIPE BRACKET	1				
041		911233-1	PAN HEAD SCREW M5X20	4				
042		922233-6	H.S.H.BOLT M5X20 WITH WR	1				
043		263002-9	RUBBER PIN 4	1				
044		325811-5	SPINDLE HUB	1				
045		211131-2	BALL BEARING 6001DDW	1				
046		226931-7	HELICAL GEAR 29	1				
047		211150-8	BALL BEARING 6901ZZ	1				
048		266459-3	TAPPING SCREW 5X25	4				
049		136231-6	GEAR BOX ASS'Y	1				
	D10		INC. 50					
050		213961-7	O RING 22	1				
051		226932-5	HELICAL GEAR 10	1				
052		210005-4	BALL BEARING 608DDW	1				
053		519587-6	ROTOR ASS'Y	1				
	D10		INC. 51,52,54					
054		210062-2	BALL BEARING 607ZZ	1				
055		266326-2	TAPPING SCREW 4X18	2				

A:UR201CZ(N)

Interchange
 O : Yes
 X : No
 < : the new part can be substituted for the current.
 > : the current part can be substituted for the new.
 S : Interchangeable as a set.

