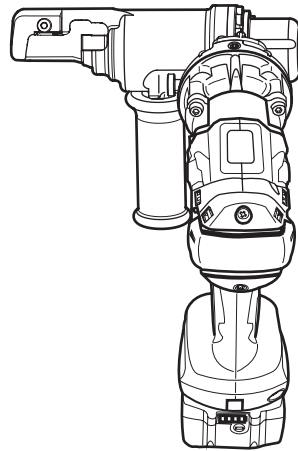


INSTRUCTION MANUAL



Cordless Threaded Rod Cutter

DSC121



Read before use.

SPECIFICATIONS

Model:	DSC121
Cutting capacities	M8, M10, M12, W5/16, W3/8, W1/2
Cutting speed	Approximately 3 seconds
Dimensions (L x W x H) (with handle)	212 mm x 323 mm x 260 mm
Rated voltage	D.C. 18 V
Net weight (with BL1860B battery cartridge, without balance stand)	6.0 kg

- Due to our continuing program of research and development, the specifications herein are subject to change without notice.
- Specifications may differ from country to country.
- Weight, with battery cartridge, according to EPTA-Procedure 01/2014

Applicable battery cartridge and charger

Battery cartridge	BL1830B / BL1840B / BL1850B / BL1860B
Charger	DC18RC / DC18RD / DC18RE / DC18SD / DC18SE / DC18SF / DC18SH

- Some of the battery cartridges and chargers listed above may not be available depending on your region of residence.

⚠ WARNING: Only use the battery cartridges and chargers listed above. Use of any other battery cartridges and chargers may cause injury and/or fire.

Symbols

The followings show the symbols which may be used for the equipment. Be sure that you understand their meaning before use.



Read instruction manual.



Only for EU countries
Do not dispose of electric equipment or battery pack together with household waste material!
In observance of the European Directives, on Waste Electric and Electronic Equipment and Batteries and Accumulators and Waste Batteries and Accumulators and their implementation in accordance with national laws, electric equipment and batteries and battery pack(s) that have reached the end of their life must be collected separately and returned to an environmentally compatible recycling facility.

Intended use

The tool is intended for cutting threaded rods.

Noise

The typical A-weighted noise level determined according to EN 62841-2-8:

Sound pressure level (L_{pA}) : 85 dB(A)

Sound power level (L_{WA}) : 96 dB (A)

Uncertainty (K) : 3 dB(A)

NOTE: The declared noise emission value(s) has been measured in accordance with a standard test method and may be used for comparing one tool with another.

NOTE: The declared noise emission value(s) may also be used in a preliminary assessment of exposure.

⚠ WARNING: Wear ear protection.

⚠ WARNING: The noise emission during actual use of the power tool can differ from the declared value(s) depending on the ways in which the tool is used especially what kind of workpiece is processed.

⚠ WARNING: Be sure to identify safety measures to protect the operator that are based on an estimation of exposure in the actual conditions of use (taking account of all parts of the operating cycle such as the times when the tool is switched off and when it is running idle in addition to the trigger time).

Vibration

The vibration total value (tri-axial vector sum) determined according to EN 62841-2-8:

Vibration emission (a_{hv}) : 2.5 m/s² or less

Uncertainty (K) : 1.5 m/s²

NOTE: The declared vibration total value(s) has been measured in accordance with a standard test method and may be used for comparing one tool with another.

NOTE: The declared vibration total value(s) may also be used in a preliminary assessment of exposure.

⚠️ WARNING: The vibration emission during actual use of the power tool can differ from the declared value(s) depending on the ways in which the tool is used especially what kind of workpiece is processed.

⚠️ WARNING: Be sure to identify safety measures to protect the operator that are based on an estimation of exposure in the actual conditions of use (taking account of all parts of the operating cycle such as the times when the tool is switched off and when it is running idle in addition to the trigger time).

EC Declaration of Conformity

For European countries only

The EC declaration of conformity is included as Annex A to this instruction manual.

SAFETY WARNINGS

General power tool safety warnings

⚠️ WARNING: Read all safety warnings, instructions, illustrations and specifications provided with this power tool. Failure to follow all instructions listed below may result in electric shock, fire and/or serious injury.

Save all warnings and instructions for future reference.

The term "power tool" in the warnings refers to your mains-operated (corded) power tool or battery-operated (cordless) power tool.

Work area safety

1. **Keep work area clean and well lit.** Cluttered or dark areas invite accidents.
2. **Do not operate power tools in explosive atmospheres, such as in the presence of flammable liquids, gases or dust.** Power tools create sparks which may ignite the dust or fumes.
3. **Keep children and bystanders away while operating a power tool.** Distractions can cause you to lose control.

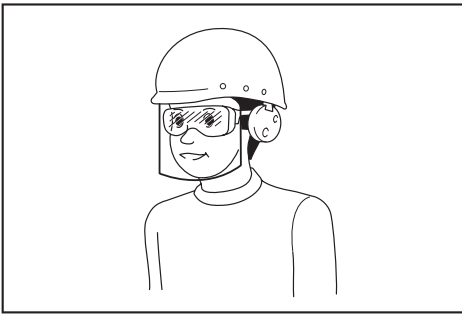
Electrical safety

1. **Power tool plugs must match the outlet. Never modify the plug in any way. Do not use any adapter plugs with earthed (grounded) power tools.** Unmodified plugs and matching outlets will reduce risk of electric shock.
2. **Avoid body contact with earthed or grounded surfaces, such as pipes, radiators, ranges and refrigerators.** There is an increased risk of electric shock if your body is earthed or grounded.
3. **Do not expose power tools to rain or wet conditions.** Water entering a power tool will increase the risk of electric shock.

4. **Do not abuse the cord. Never use the cord for carrying, pulling or unplugging the power tool. Keep cord away from heat, oil, sharp edges or moving parts.** Damaged or entangled cords increase the risk of electric shock.
5. **When operating a power tool outdoors, use an extension cord suitable for outdoor use.** Use of a cord suitable for outdoor use reduces the risk of electric shock.
6. **If operating a power tool in a damp location is unavoidable, use a residual current device (RCD) protected supply.** Use of an RCD reduces the risk of electric shock.
7. **Power tools can produce electromagnetic fields (EMF) that are not harmful to the user.** However, users of pacemakers and other similar medical devices should contact the maker of their device and/or doctor for advice before operating this power tool.

Personal safety

1. **Stay alert, watch what you are doing and use common sense when operating a power tool. Do not use a power tool while you are tired or under the influence of drugs, alcohol or medication.** A moment of inattention while operating power tools may result in serious personal injury.
2. **Use personal protective equipment. Always wear eye protection.** Protective equipment such as a dust mask, non-skid safety shoes, hard hat or hearing protection used for appropriate conditions will reduce personal injuries.
3. **Prevent unintentional starting. Ensure the switch is in the off-position before connecting to power source and/or battery pack, picking up or carrying the tool.** Carrying power tools with your finger on the switch or energising power tools that have the switch on invites accidents.
4. **Remove any adjusting key or wrench before turning the power tool on.** A wrench or a key left attached to a rotating part of the power tool may result in personal injury.
5. **Do not overreach. Keep proper footing and balance at all times.** This enables better control of the power tool in unexpected situations.
6. **Dress properly. Do not wear loose clothing or jewellery. Keep your hair and clothing away from moving parts.** Loose clothes, jewellery or long hair can be caught in moving parts.
7. **If devices are provided for the connection of dust extraction and collection facilities, ensure these are connected and properly used.** Use of dust collection can reduce dust-related hazards.
8. **Do not let familiarity gained from frequent use of tools allow you to become complacent and ignore tool safety principles.** A careless action can cause severe injury within a fraction of a second.
9. **Always wear protective goggles to protect your eyes from injury when using power tools. The goggles must comply with ANSI Z87.1 in the USA, EN 166 in Europe, or AS/NZS 1336 in Australia/New Zealand. In Australia/New Zealand, it is legally required to wear a face shield to protect your face, too.**



It is an employer's responsibility to enforce the use of appropriate safety protective equipments by the tool operators and by other persons in the immediate working area.

Power tool use and care

1. **Do not force the power tool. Use the correct power tool for your application.** The correct power tool will do the job better and safer at the rate for which it was designed.
2. **Do not use the power tool if the switch does not turn it on and off.** Any power tool that cannot be controlled with the switch is dangerous and must be repaired.
3. **Disconnect the plug from the power source and/or remove the battery pack, if detachable, from the power tool before making any adjustments, changing accessories, or storing power tools.** Such preventive safety measures reduce the risk of starting the power tool accidentally.
4. **Store idle power tools out of the reach of children and do not allow persons unfamiliar with the power tool or these instructions to operate the power tool.** Power tools are dangerous in the hands of untrained users.
5. **Maintain power tools and accessories. Check for misalignment or binding of moving parts, breakage of parts and any other condition that may affect the power tool's operation. If damaged, have the power tool repaired before use.** Many accidents are caused by poorly maintained power tools.
6. **Keep cutting tools sharp and clean.** Properly maintained cutting tools with sharp cutting edges are less likely to bind and are easier to control.
7. **Use the power tool, accessories and tool bits etc. in accordance with these instructions, taking into account the working conditions and the work to be performed.** Use of the power tool for operations different from those intended could result in a hazardous situation.
8. **Keep handles and grasping surfaces dry, clean and free from oil and grease.** Slippery handles and grasping surfaces do not allow for safe handling and control of the tool in unexpected situations.
9. **When using the tool, do not wear cloth work gloves which may be entangled.** The entanglement of cloth work gloves in the moving parts may result in personal injury.

Battery tool use and care

1. **Recharge only with the charger specified by the manufacturer.** A charger that is suitable for one type of battery pack may create a risk of fire when used with another battery pack.
2. **Use power tools only with specifically designed battery packs.** Use of any other battery packs may create a risk of injury and fire.
3. **When battery pack is not in use, keep it away from other metal objects, like paper clips, coins, keys, nails, screws or other small metal objects, that can make a connection from one terminal to another.** Shorting the battery terminals together may cause burns or a fire.
4. **Under abusive conditions, liquid may be ejected from the battery; avoid contact. If contact accidentally occurs, flush with water. If liquid contacts eyes, additionally seek medical help.** Liquid ejected from the battery may cause irritation or burns.
5. **Do not use a battery pack or tool that is damaged or modified.** Damaged or modified batteries may exhibit unpredictable behaviour resulting in fire, explosion or risk of injury.
6. **Do not expose a battery pack or tool to fire or excessive temperature.** Exposure to fire or temperature above 130 °C may cause explosion.
7. **Follow all charging instructions and do not charge the battery pack or tool outside the temperature range specified in the instructions.** Charging improperly or at temperatures outside the specified range may damage the battery and increase the risk of fire.

Service

1. **Have your power tool serviced by a qualified repair person using only identical replacement parts.** This will ensure that the safety of the power tool is maintained.
2. **Never service damaged battery packs.** Service of battery packs should only be performed by the manufacturer or authorized service providers.
3. **Follow instruction for lubricating and changing accessories.**

Cordless threaded rod cutter safety warnings

1. **Hold the tool firmly.**
2. **Secure the workpiece firmly.**
3. **Keep your face and hands away from moving parts.** During cutting, the fraction of the threaded rod may fly off.
4. **Always wear gloves when handling threaded rods.** Edges and chips of the workpiece are sharp.
5. **Do not put the tool on the chips of the workpiece. Otherwise it can cause damage and trouble on the tool.**
6. **Always be sure you have a firm footing. Be sure no one is below when using the tool in high locations.**
7. **Do not touch the cutting edge or the workpiece immediately after operation; they may be extremely hot and could burn your skin.**

8. **Avoid cutting electrical wires. It can cause serious accident by electric shock.**
9. **Always hold the threaded rod during and after cutting to prevent the cut threaded rod from falling off.** A cut threaded rod may cause serious personal injury if fallen off from a high location.
10. **Keep a safe distance between your body and the moving parts. Do not operate the tool if the working area is too narrow to keep a safe distance.**
11. **Never leave the tool on a high location or a potentially unstable surface.**
10. **The contained lithium-ion batteries are subject to the Dangerous Goods Legislation requirements.** For commercial transports e.g. by third parties, forwarding agents, special requirement on packaging and labeling must be observed. For preparation of the item being shipped, consulting an expert for hazardous material is required. Please also observe possibly more detailed national regulations. Tape or mask off open contacts and pack up the battery in such a manner that it cannot move around in the packaging.

SAVE THESE INSTRUCTIONS.

⚠WARNING: DO NOT let comfort or familiarity with product (gained from repeated use) replace strict adherence to safety rules for the subject product.

MISUSE or failure to follow the safety rules stated in this instruction manual may cause serious personal injury.

Important safety instructions for battery cartridge

1. **Before using battery cartridge, read all instructions and cautionary markings on (1) battery charger, (2) battery, and (3) product using battery.**
2. **Do not disassemble or tamper the battery cartridge.** It may result in a fire, excessive heat, or explosion.
3. **If operating time has become excessively shorter, stop operating immediately.** It may result in a risk of overheating, possible burns and even an explosion.
4. **If electrolyte gets into your eyes, rinse them out with clear water and seek medical attention right away.** It may result in loss of your eyesight.
5. **Do not short the battery cartridge:**
 - (1) **Do not touch the terminals with any conductive material.**
 - (2) **Avoid storing battery cartridge in a container with other metal objects such as nails, coins, etc.**
 - (3) **Do not expose battery cartridge to water or rain.**

A battery short can cause a large current flow, overheating, possible burns and even a breakdown.
6. **Do not store and use the tool and battery cartridge in locations where the temperature may reach or exceed 50 °C (122 °F).**
7. **Do not incinerate the battery cartridge even if it is severely damaged or is completely worn out.** The battery cartridge can explode in a fire.
8. **Do not nail, cut, crush, throw, drop the battery cartridge, or hit against a hard object to the battery cartridge.** Such conduct may result in a fire, excessive heat, or explosion.
9. **Do not use a damaged battery.**
11. **When disposing the battery cartridge, remove it from the tool and dispose of it in a safe place.** Follow your local regulations relating to disposal of battery.
12. **Use the batteries only with the products specified by Makita.** Installing the batteries to non-compliant products may result in a fire, excessive heat, explosion, or leak of electrolyte.
13. **If the tool is not used for a long period of time, the battery must be removed from the tool.**
14. **During and after use, the battery cartridge may take on heat which can cause burns or low temperature burns.** Pay attention to the handling of hot battery cartridges.
15. **Do not touch the terminal of the tool immediately after use as it may get hot enough to cause burns.**
16. **Do not allow chips, dust, or soil stuck into the terminals, holes, and grooves of the battery cartridge.** It may result in poor performance or breakdown of the tool or battery cartridge.
17. **Unless the tool supports the use near high-voltage electrical power lines, do not use the battery cartridge near a high-voltage electrical power lines.** It may result in a malfunction or breakdown of the tool or battery cartridge.

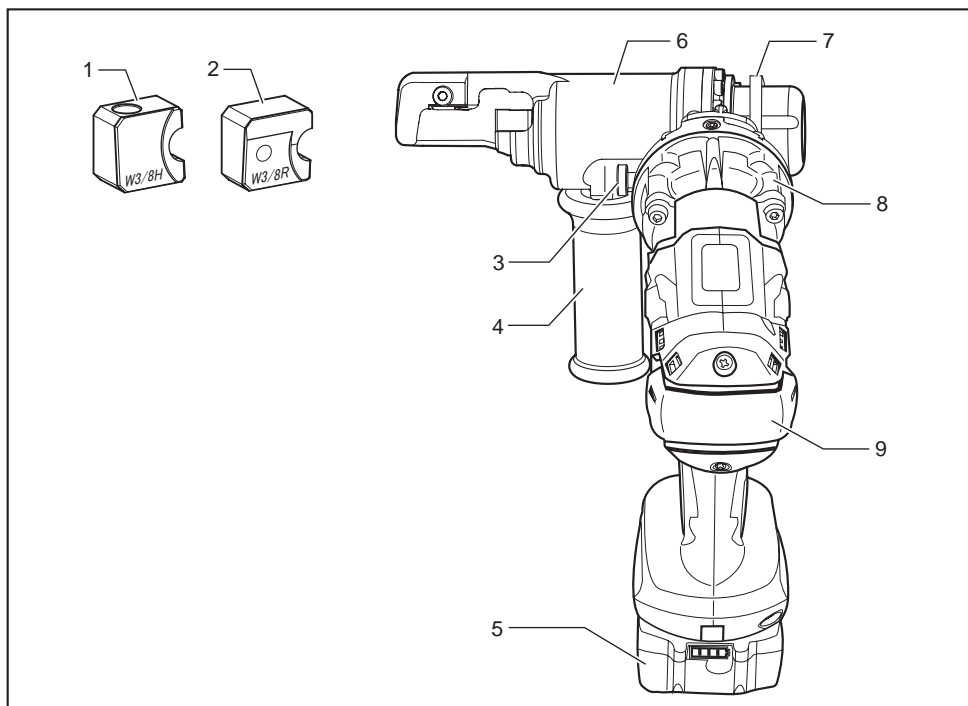
SAVE THESE INSTRUCTIONS.

⚠CAUTION: Only use genuine Makita batteries. Use of non-genuine Makita batteries, or batteries that have been altered, may result in the battery bursting causing fires, personal injury and damage. It will also void the Makita warranty for the Makita tool and charger.

Tips for maintaining maximum battery life

1. **Charge the battery cartridge before completely discharged.** Always stop tool operation and charge the battery cartridge when you notice less tool power.
2. **Never recharge a fully charged battery cartridge.** Overcharging shortens the battery service life.
3. **Charge the battery cartridge with room temperature at 10 °C - 40 °C (50 °F - 104 °F).** Let a hot battery cartridge cool down before charging it.
4. **When not using the battery cartridge, remove it from the tool or the charger.**
5. **Charge the battery cartridge if you do not use it for a long period (more than six months).**

PARTS DESCRIPTION



1	Cutting die H	2	Cutting die R	3	Return bulb knob	4	Handle
5	Battery cartridge	6	Cutter head	7	Balance stand	8	Pump
9	Motor	-	-	-	-	-	-

Cutting die type

Type	Cutter head (Cutting die H)	Cutter rod (Cutting die R)
M8	M8H	M8R
M10	M10H	M10R
M12	M12H	M12R
W5/16	W5/16H	W5/16R
W3/8	W3/8H	W3/8R
W1/2	W1/2H	W1/2R

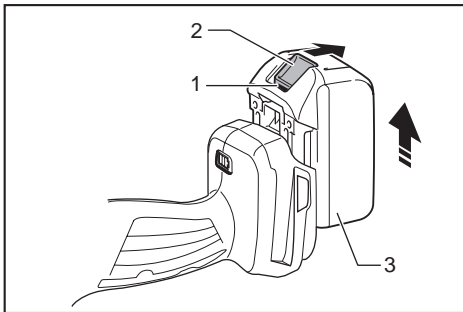
FUNCTIONAL DESCRIPTION

CAUTION: Always be sure that the tool is switched off and the battery cartridge is removed before adjusting or checking function on the tool.

Installing or removing battery cartridge

CAUTION: Always switch off the tool before installing or removing of the battery cartridge.

CAUTION: Hold the tool and the battery cartridge firmly when installing or removing battery cartridge. Failure to hold the tool and the battery cartridge firmly may cause them to slip off your hands and result in damage to the tool and battery cartridge and a personal injury.



► 1. Red indicator 2. Button 3. Battery cartridge

To remove the battery cartridge, slide it from the tool while sliding the button on the front of the cartridge.

To install the battery cartridge, align the tongue on the battery cartridge with the groove in the housing and slip it into place. Insert it all the way until it locks in place with a little click. If you can see the red indicator on the upper side of the button, it is not locked completely.

CAUTION: Always install the battery cartridge fully until the red indicator cannot be seen. If not, it may accidentally fall out of the tool, causing injury to you or someone around you.

CAUTION: Do not install the battery cartridge forcibly. If the cartridge does not slide in easily, it is not being inserted correctly.

Tool / battery protection system

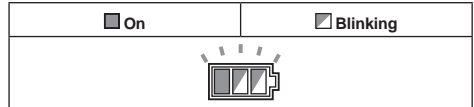
The tool is equipped with a tool/battery protection system. This system automatically cuts off power to the motor to extend tool and battery life. The tool will automatically stop during operation if the tool or battery is placed under one of the following conditions.

Overload protection

When the tool/battery is operated in a manner that causes it to draw an abnormally high current, the tool automatically stops. In this situation, turn the tool off and stop the application that caused the tool to become overloaded. Then turn the tool on to restart.

Overheat protection

When the tool/battery is overheated, the tool stops automatically, and the battery indicator blink about 60 seconds. In this situation, let the tool cool down before turning the tool on again.

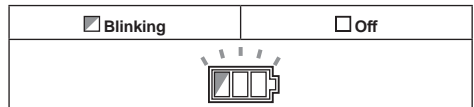


Overdischarge protection

When the battery capacity becomes low, the tool stops automatically. If the product does not operate even when the switches are operated, remove the batteries from the tool and charge the batteries.

Releasing protection lock

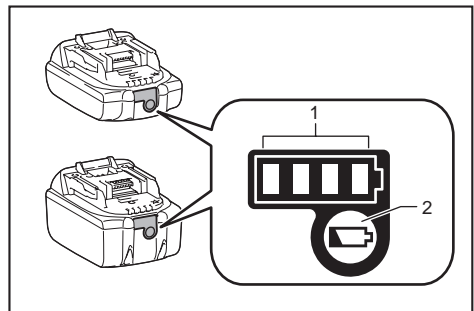
When the protection system works repeatedly, the tool is locked and the battery indicator shows the following state.



In this situation, the tool does not start even if turning the tool off and on. To release the protection lock, remove the battery, set it to the battery charger and wait until the charging finishes.

Indicating the remaining battery capacity

Only for battery cartridges with the indicator



► 1. Indicator lamps 2. Check button

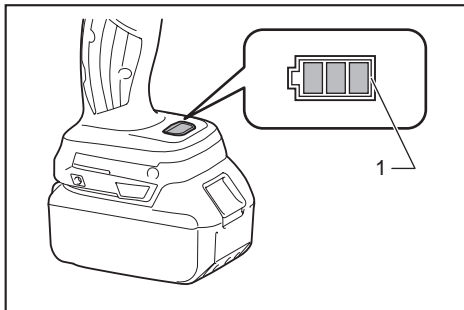
Press the check button on the battery cartridge to indicate the remaining battery capacity. The indicator lamps light up for a few seconds.

Indicator lamps			Remaining capacity
Lighted	Off	Blinking	
■	□	▧	75% to 100%
■ ■ ■ ■			
	□		50% to 75%
■ ■ ■ ■	□		25% to 50%
■ ■ ■ ■	□ □ □ □		0% to 25%
▧	□ □ □ □		Charge the battery.
■ ■ ■ ■	□ □ □ □		The battery may have malfunctioned.
□ □ □ □	■ ■ ■ ■	↑ ↓	

NOTE: Depending on the conditions of use and the ambient temperature, the indication may differ slightly from the actual capacity.

Indicating the remaining battery capacity

When you pull the switch trigger, the LED display shows the remaining battery capacity. The remaining battery capacity is shown as the following table.



► 1. Battery indicator

Battery indicator status		Remaining battery capacity
On	Off	
■ ■ ■ ■	□	50% to 100%
■ ■ ■ ■	□	20% to 50%
■ ■ ■ ■	□	0% to 20%

NOTE: The LED display goes off approximately one minute after releasing the switch trigger.

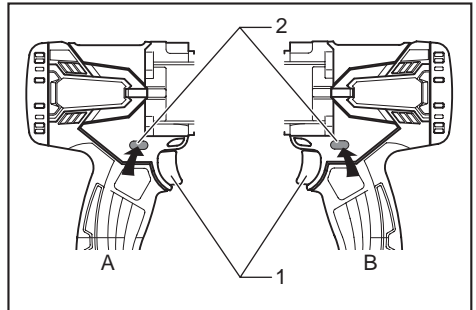
NOTE: When the LED display lights up and the tool stops even with a recharged battery cartridge, cool down the battery cartridge fully. If the status will not change, stop using and have the tool repaired by a Makita local service center.

Switch action

CAUTION: Before installing the battery cartridge into the tool, always check to see that the switch trigger actuates properly and returns to the "OFF" position when released.

To unlock the switch trigger, push the lock lever from A side. To lock the switch trigger, push the lock lever from B side. Always lock the switch trigger when not in use.

To start the cutting operation, pull the switch trigger. The cutter rod will move toward the cutter head. Continuing to hold the switch trigger down brings the cutter rod to the full forward stroke position. After releasing the switch trigger, the cutter rod will automatically return to the start position.



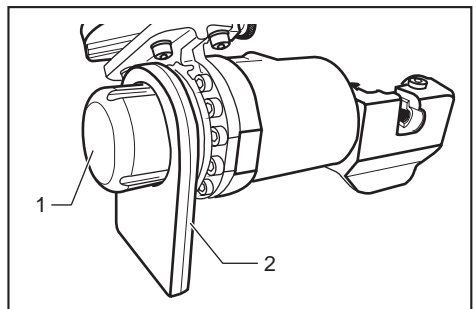
► 1. Switch trigger 2. Lock lever

Using the balance stand

CAUTION: Always remove the balance stand when working while holding the threaded rod cutter by hand.

NOTICE: Since the balance stand is made of rubber and only meant to function as a stand, do not bend it by putting unnecessary pressure on it. It may get bent, making it unusable.

1. Install the balance stand on the leveler sack cover.
2. Position the flat surface of the balance stand to be level with the ground.



► 1. Leveler sack cover 2. Balance stand

ASSEMBLY

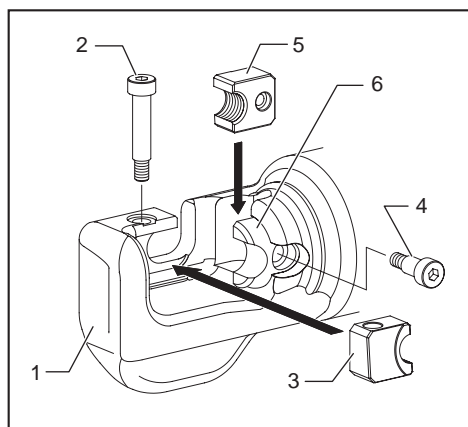
⚠ CAUTION: Always be sure that the tool is switched off and the battery cartridge is removed before carrying out any work on the tool.

Removing and installing the cutting dies

NOTICE: Always check the following when replacing the cutting dies:

- The size of the threaded rod to be cut matches the size of cutting dies. (The size is engraved on the cutting dies)
- The cutting die H and cutting die R are installed in the correct position. Be sure to install the cutting die H (engraving ex. W 3/8 H) to the cutter head and the cutting die R (engraving ex. W 3/8 R) to the cutter rod. Always use one pair of cutting dies.

Wrong installation results in breakage of the cutting dies and the tool.



- 1. Cutter head 2. Head bolt 3. Cutting die H 4. Rod bolt 5. Cutting die H 6. Cutter rod

1. Remove the head bolt and rod bolt from cutting die H and cutting die R using the supplied hex wrench.
2. Remove any dirt or foreign debris from the cutting die installation points.
3. Select a pair of cutting dies that matches the size of the threaded rod and attach cutting die H to the cutter head, and cutting die R to the cutter rod. After the cutting dies are installed, securely tighten the head bolt and rod bolt.

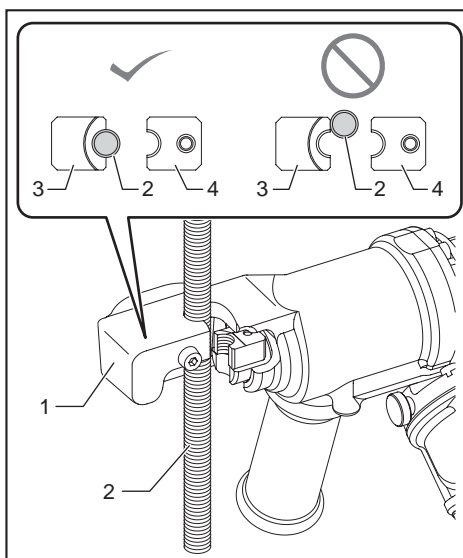
NOTICE: There should be a bit of play to the securely tightened cutting die H and cutting die R. If there is no play, remove the cutting dies and clean off any dirt or debris from cutting die installation points. Cutting while the cutting die H and cutting die R are installed in dirty or clogged fittings may result in chipping or damage of cutting dies.

OPERATION

⚠ WARNING: The following types of cutting may result in cutting dies or components breaking and flying off. Since this causes serious accidents, they must never be performed.

- Cutting materials outside the cutting capacity (see SPECIFICATIONS).
- Cutting with cutting dies that do not match the size of the threaded rod.
- Cutting materials (round or square, etc) other than threaded rods.

⚠ CAUTION: When cutting, check the size of the threaded rod and always use cutting dies that match that size. If the sizes do not match, breakage or damage to the cutting dies and breakdown of the tool may occur.



- 1. Cutter head 2. Threaded rod 3. Cutting die H (fixed die on the cutter head) 4. Cutting die R (moving die on cutter rod)

1. Align the threads of the threaded rod to be cut with the grooves of cutting die H on the cutter head.

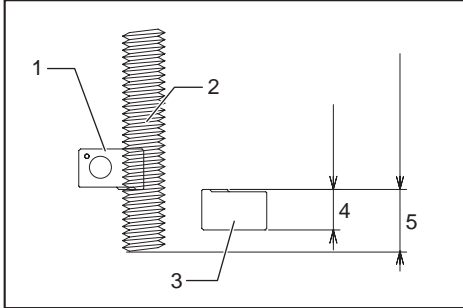
NOTICE: Failure to align the threads of the threaded rod with the grooves on cutting die H may result in chipping or damage of the cutting die.

2. Pull the switch trigger. The cutter rod moves forward and cuts the threaded rod.
3. After the cutting is complete, continue to hold the switch trigger down. The cutter rod is brought to the full forward stroke position.

4. Release the switch trigger. The cutter rod will automatically return to the start position.

NOTICE: Replace deformed or chipped cutting dies immediately. Deformed or chipped cutting dies create burrs. Also, they cause an excessive load on the tool and may cause tool breakage.

NOTICE: Do not cut threaded rods too short. Cutting to a length shorter than the thickness of the cutting dies (13 mm (33/64")) may chip or damage the cutting dies.

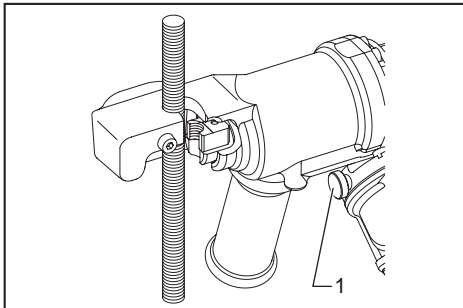


- ▶ 1. Cutting die H 2. Threaded rod 3. Cutting die R
- 4. Thickness of the cutting die (13 mm (33/64"))
- 5. Cut length (13 mm (33/64")) or more

NOTE: A cut threaded rod should fit into a nut without any trouble. However, depending on the material or precision (grade) of the threaded rod, it may be necessary to remove burrs from the starting points of the threads with a file, etc. in order to fit the rod into a nut.

Quitting the cutting in the middle

If you want to stop the cutter rod mid-stroke and return it to the start position, turn the return bulb knob counterclockwise (1/2 turn) and loosen it. The cutter rod will return to the start position.



- ▶ 1. Return bulb

Turn the return bulb knob clockwise to tighten it again to cut as normal.

NOTICE: Do not turn the return bulb knob any further than necessary. Turning the return bulb more than 1-1/2 times counter-clockwise may cause an oil leak. Use caution, as low oil can cause the tool to malfunction.

MAINTENANCE

CAUTION: Always be sure that the tool is switched off and the battery cartridge is removed before attempting to perform inspection or maintenance.

NOTICE: Never use gasoline, benzine, thinner, alcohol or the like. Discoloration, deformation or cracks may result.

To maintain product SAFETY and RELIABILITY, repairs, any other maintenance or adjustment should be performed by Makita Authorized or Factory Service Centers, always using Makita replacement parts.

Refilling the oil when oil is low

Place the tool on the floor with the oil port facing up. Always confirm that the tool is completely shut off with the cutter rod in start position.

Loosen and remove the bolt on the oil port. If the oil is low, refill to the maximum limit of the oil port with the designated hydraulic oil, and then tighten the bolt. If oil overflows, immediately wipe off any excess oil.

NOTE: Use only Makita Hydraulic Oil or JX Nikko Nisseki Energy Super Highland #46 oil. Do not use any other type of oil in this tool. Doing so may cause deterioration of gaskets and other parts, resulting in breakdown.

OPTIONAL ACCESSORIES

CAUTION: These accessories or attachments are recommended for use with your Makita tool specified in this manual. The use of any other accessories or attachments might present a risk of injury to persons. Only use accessory or attachment for its stated purpose.

If you need any assistance for more details regarding these accessories, ask your local Makita Service Center.

- Cutting dies
- Makita genuine battery and charger

NOTE: Some items in the list may be included in the tool package as standard accessories. They may differ from country to country.

Makita Europe N.V. Jan-Baptist Vinkstraat 2,
3070 Kortenberg, Belgium

Makita Corporation 3-11-8, Sumiyoshi-cho,
Anjo, Aichi 446-8502 Japan

www.makita.com

DSC121- ENEU-2003 EN 20200303
--