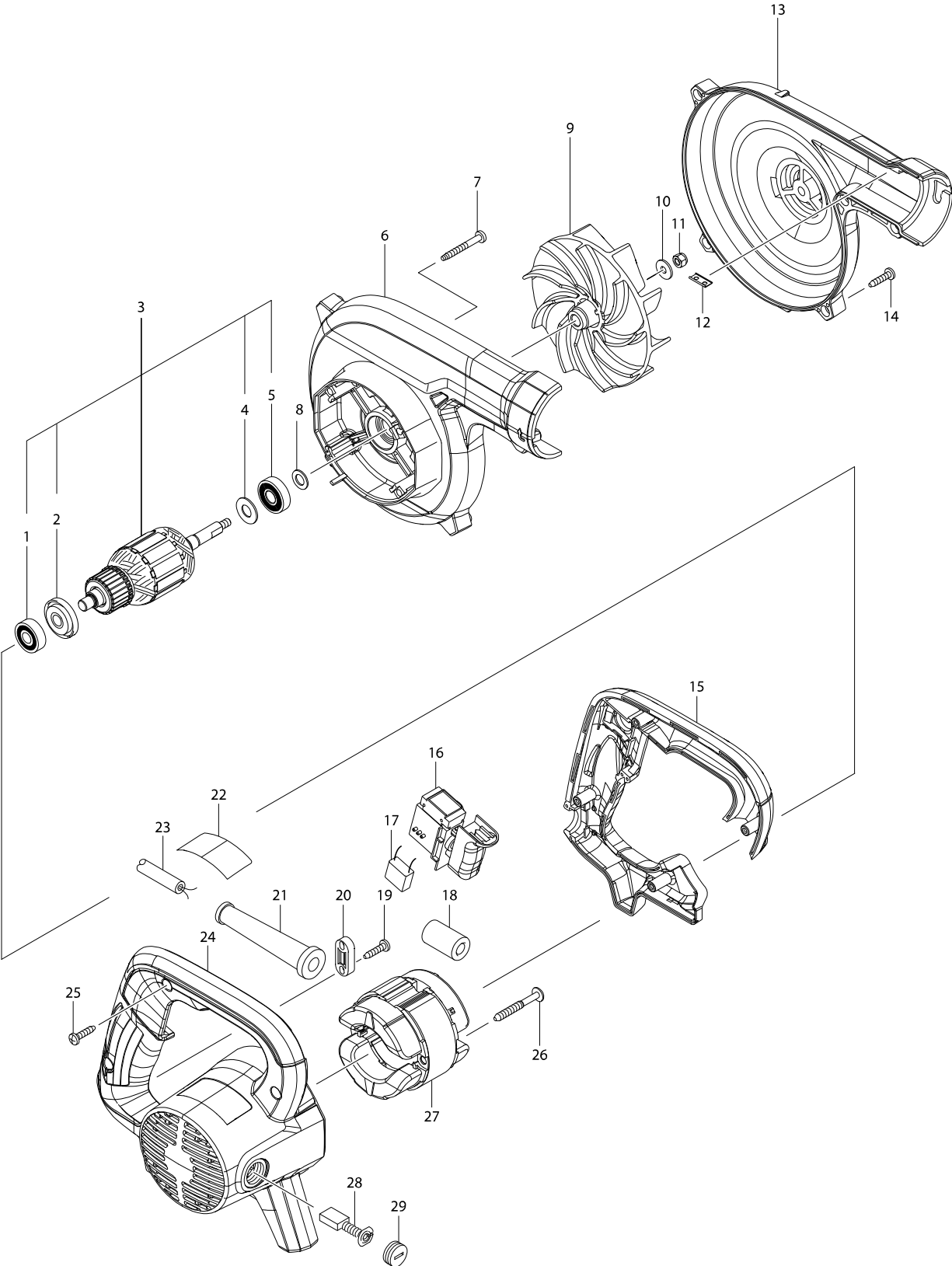


Model No. UB1102 BLOWER



Model No. UB1102 BLOWER

Item	Parts No.	Description	I/C	QTY	N/O	Opt. 1	Opt. 2	NOTE
001	210044-4	BALL BEARING 608DDW		1		84821090		
002	681644-1	INSULATION WASHER		1		73182200		
003	513904-2	ARMATURE ASS'Y 240V		1		85030090		
D10		INC. 1,2,4,5						
004	267237-4	FLAT WASHER 9		1		73182200		
005	211491-2	BALL BEARING 609DDW		1		84821090		
006	142292-6	FAN HOUSING COMPLETE		1		73262090		
007	266351-3	TAPPING SCREW 4X35		4		73181500		
008	267240-5	FLAT WASHER 8		1		73182200		
009	240148-8	FAN 110		1		84145190		
010	267294-2	FLAT WASHER 5		1		73182200		
011	252103-8	HEX. LOCK NUT M5-8		1		73181500		
012	345998-7	SET PLATE		1		73182990		
013	454702-4	FAN COVER		1		84679900		
014	266326-2	TAPPING SCREW 4X18		5		73181500		
015	454700-8	HANDLE COVER		1		84679900		
016	651359-4	SWITCH TG813TB-3		1		85366990		
019	266326-2	TAPPING SCREW 4X18		2		73181500		
020	687123-7	STRAIN RELIEF		1		84679900		
021	682569-2	CORD GUARD 8-85		1		73182990		
022	815D32-6	UB1102 NAME PLATE		1		83100090		
023	666066-6	POWER SUPPLY CORD 1.0-2-2.5		1		85442090		
024	142291-8	MOTOR HOUSING COMPLETE		1		84679900		
C10	643708-9	BRUSH HOLDER 5-11		2		82078000		
025	266326-2	TAPPING SCREW 4X18		4		73181500		
026	266211-9	TAPPING SCREW 5X40		2		73181500		
027	594634-4	FIELD ASS'Y 240V		1	*	85030090		
C10	654020-2	RING TERMINAL		2	*	73182990		
C20	654501-6	CONNECTOR P-1.25		2	*	73182990		
027-1	594709-9	FIELD ASS'Y 240V	O	1				
C10	654020-2	RING TERMINAL		2		73182990		
C20	654501-6	CONNECTOR P-1.25		2		73182990		
028	191963-2	CARBON BRUSH CB-303		1		85452000		
029	643750-0	BRUSH HOLDER CAP 7-11		2		40169390		
A01	123245-4	NOZZLE ASS'Y		1		84679900		
C10	454703-2	JOINT		1		84679900		
A02	123241-2	DUST BAG ASSEMBLY		1		84679900		
C10	410602-8	FASTENER		1		73182990		