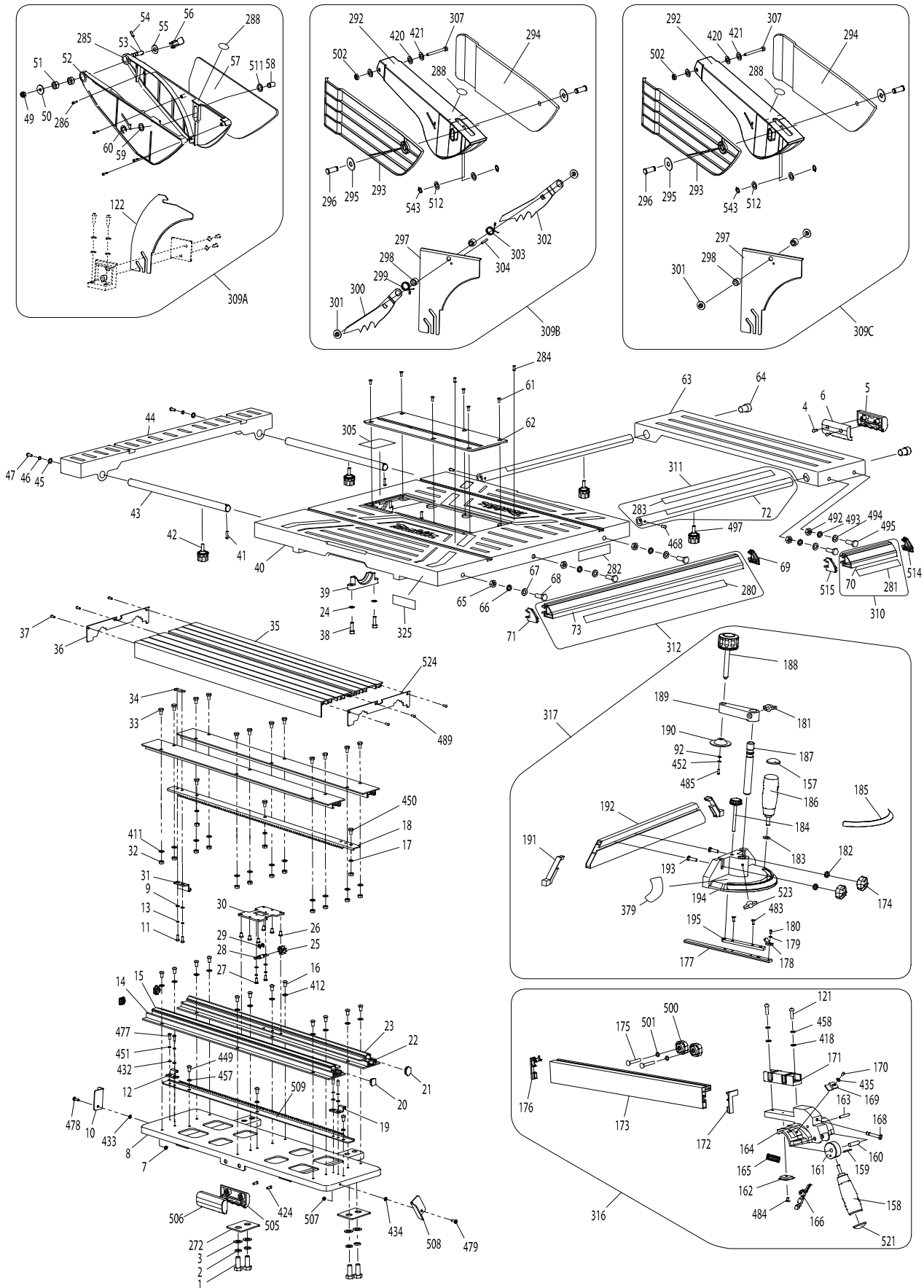
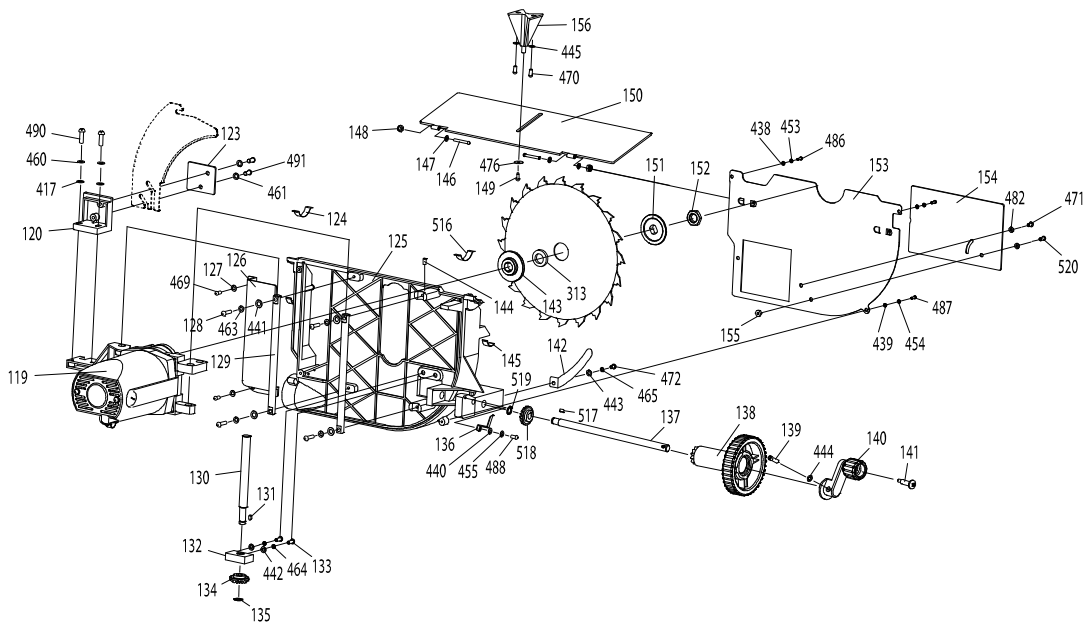
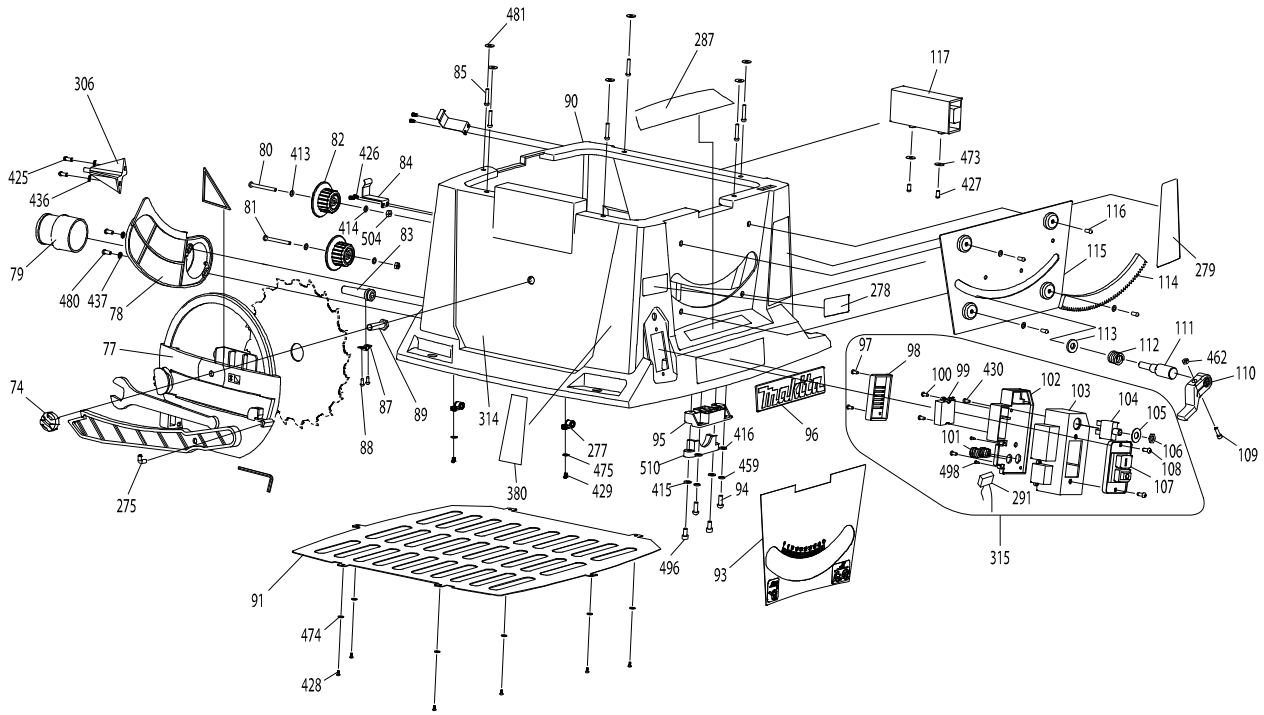


Model No. MLT100 TABLE SAW 255MM

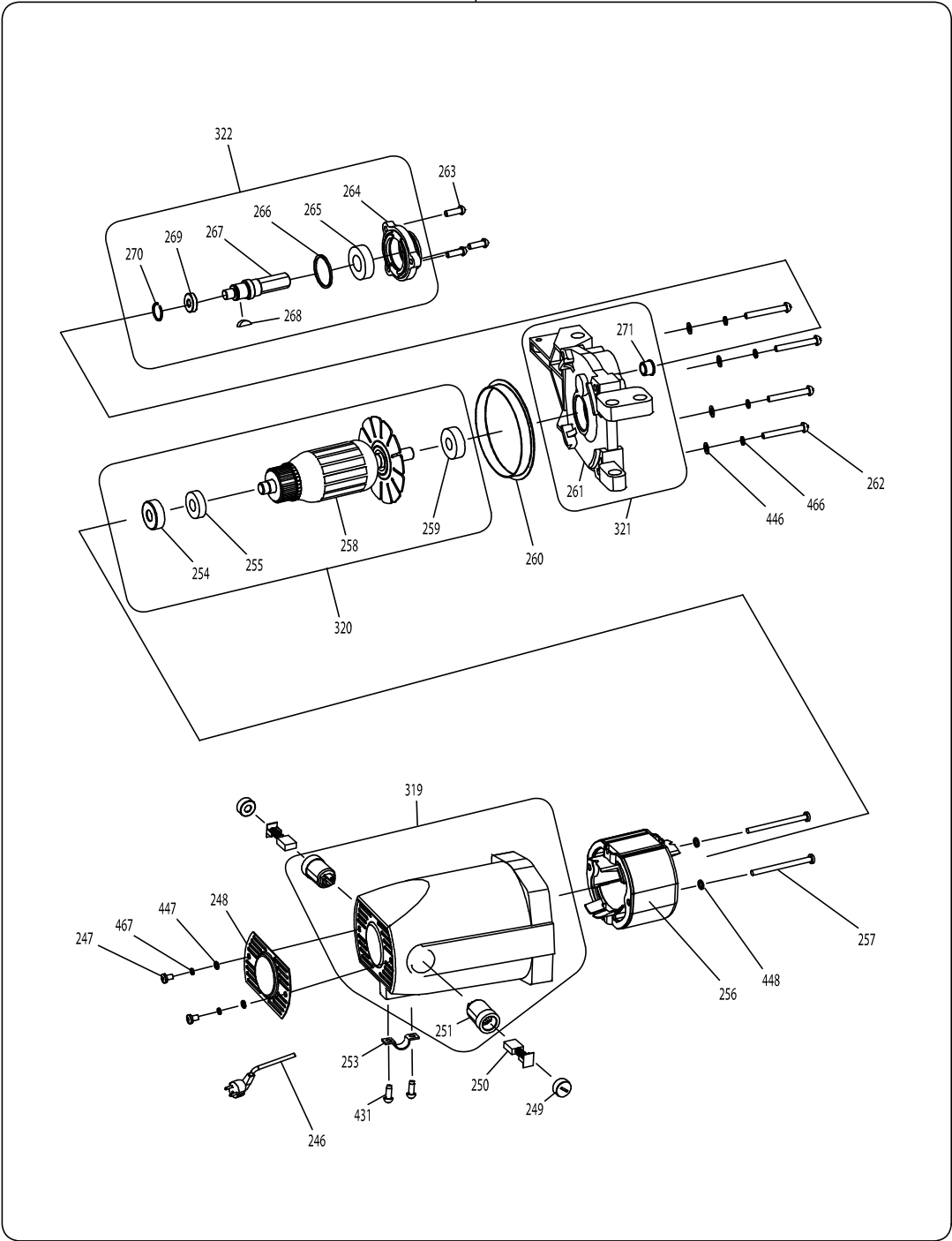


Model No. MLT100 TABLE SAW 255MM

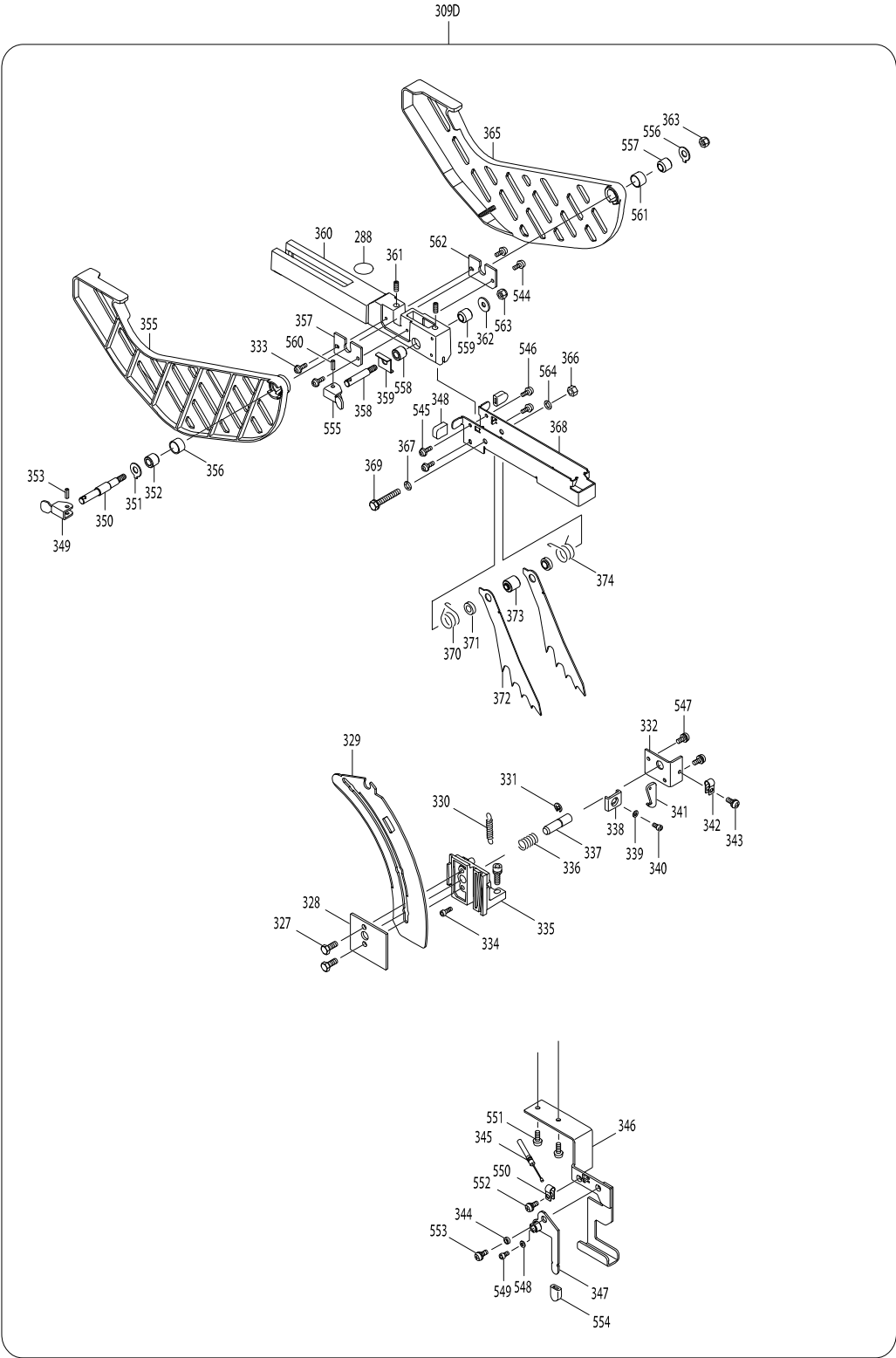


Model No. MLT100 TABLE SAW 255MM

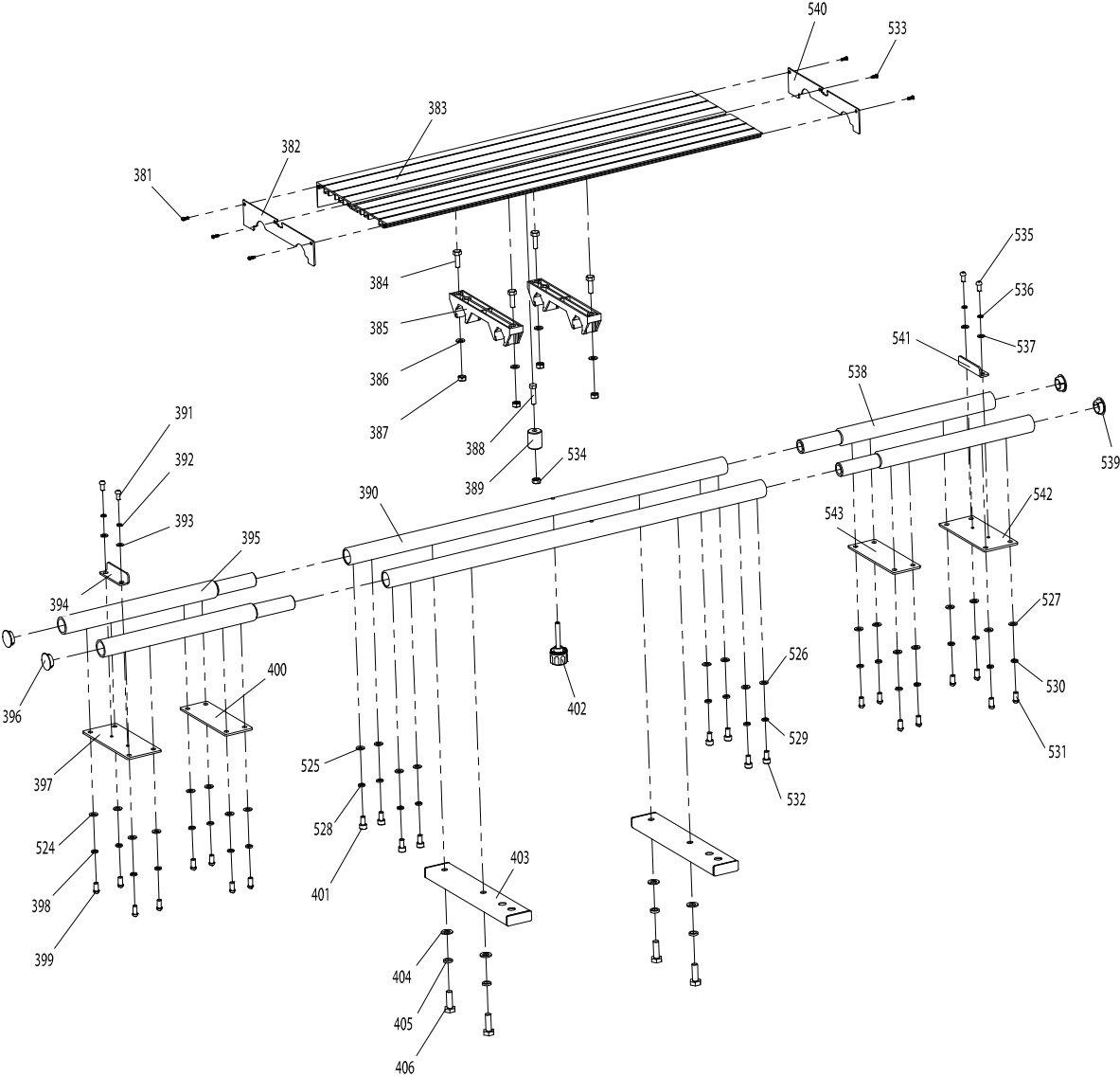
119



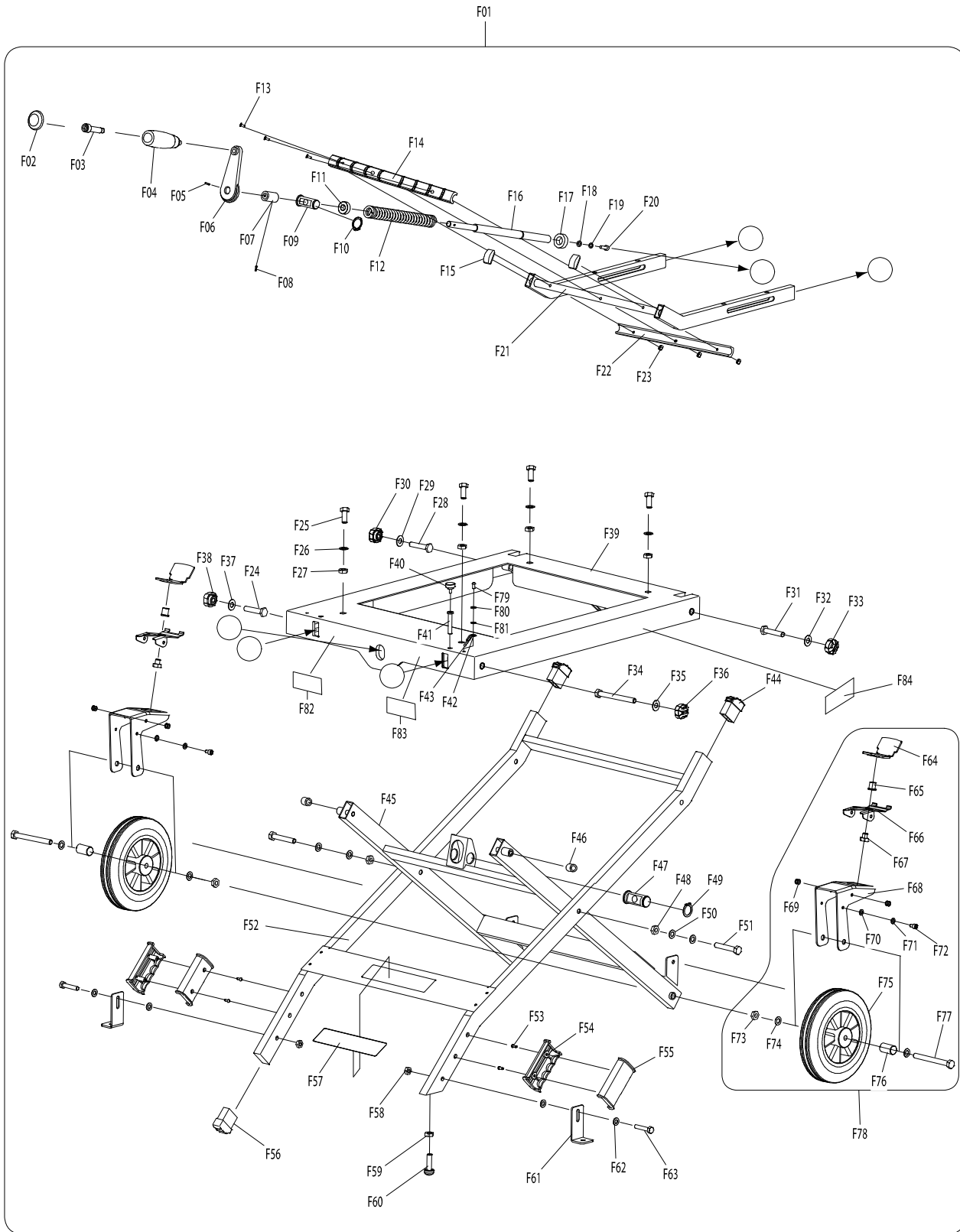
Model No. MLT100 TABLE SAW 255MM



Model No. MLT100 TABLE SAW 255MM



Model No. MLT100 TABLE SAW 255MM



Item	Parts No.	Description	I/C	QTY	N/O	Opt. 1	Opt. 2	NOTE
001	JM27000001	HEX.BOLT M10X35		4		73181500		
002	JM27000002	SPRING WASHER 10		4		73182200		
003	JM27000003	FLAT WASHER 10		4		73182200		
004	JM27000004	CROSS HEAD SELF TAPPING SCREW		2		73181500		
005	JM27000005	EXTERIOR HALF HANDLE		1		84679900		
006	JM27000006	INTERIOR HALF HANDLE		1		84679900		
007	JM27000007	HEX.LOCK NUT M4		1		73181600		
008	JM27000008	BOTTOM		1		84679900		
009	JM27000009	FLAT WASHER 4		2		73182200		
010	JM27000010	LIMITED BRACKET		1		84679900		
011	JM27000011	CROSS HEAD SCREW M4X12		2		73181500		
012	JM27000012	FIX BRACKET B		1		84679900		
013	JM27000013	SPRING WASHER 4		2		73182200		
014	JM27000014	FIX FLAT RAIL		2		84679900		
015	JM27000015	SLIDING FLAT RAIL		1		84679900		
016	JM27000016	CROSS HEAD SCREW M6X10		1		73181500		
017	JM27000017	SPRING WASHER 6		3	*	73182200		
017-1	JM27000024	FLAT WASHER 6	X	3		73182200		
018	JM27000018	SLIDING TABLE RACK RAIL		1		84679900		
019	JM27000019	FIX BRACKET B		1		84679900		
020	JM27000020	SLIDING FLAT RAIL COVER		2		84679900		
021	JM27000021	SLIDING RAIL COVER		2		84679900		
022	JM27000022	FIX RAIL I		2		84679900		
023	JM27000023	SLIDING RAIL		1		84679900		
024	JM27000024	FLAT WASHER 6		2		73182200		
025	JM27000025	GEAR		1		84834000		
026	JM27000026	RIVET 5X9		6		73182990		
027	JM27000027	CROSS HEAD SCREW M4X10		2		73181500		
028	JM27000028	SHAFT		1		84831099		
029	JM27000029	RETAINING RING 6		1		73182990		
030	JM27000030	SLIDING LIMITED PLATE		1		73182990		
031	JM27000031	GEAR LIMITED C		1		73182990		
032	JM27000032	HEX. NUT M6		12		73181600		
033	JM27000033	HEX BOLT M6X10		12		73181600		
034	JM27000034	CONNECTION NUT		1		73181600		
035	JM27000035	SLIDING TABLE		1		84679900		
036A_	JM27000036	SLIDING TABLE COVER		1		84679900		
037	JM27000037	SELF TAPPING SCREW ST3.9X8		3		73181500		
038	JM27000038	CROSS HEAD SCREW M6X16		2		73181500		
039	JM27000039	FIX BRACKET A		1		73182990		
040A_	JM27000040	MAIN TABLE A		1	*			
040A1	JM27000430	MAIN TABLE A	<	1				
041	JM27000042	CROSS HEAD SCREW M5X10		2		73181500		
042	JM27000043	LOCK KNOB		2		40169390		
043	JM27000044	SLIDING BAR B		2				
044A_	JM27000045	REAR EXTENSION TABLE		1	*	84679900		
044A1	JM27000046	REAR EXTENSION TABLE ASSEMBLY	O	1		84679900		
045	JM27000047	BIG FLAT WASHER 5		2				

Item	Parts No.	Description	I/C	QTY	N/O	Opt. 1	Opt. 2	NOTE
046	JM27000048	SPRING WASHER 5		2		73182200		
047	JM27000049	CROSS HEAD SCREW M5X14		2				
049	JM27000051	LOCK NUT M6		1		73181600		
050	JM27000055	WASHER		1		73182200		
051	JM27000056	FIX PLATE		2		84679900		
052	JM27000057	LEFT GUARD		1				
053	JM27000058	CONNECTION BOLT		1		73181500		
054	JM27000059	PIN 4X8		1		73182990		
055	JM27000060	WASHER		1		73182200		
056	JM27000061	WRENCH		1		82041120		
057	JM27000062	SIDE PROTECTION PLATE		1		84679900		
058	JM27000063	PIN		1		73182990		
059	JM27000064	WASHER A		1		73182200		
060	JM27000065	RING 10		1		73182990		
061	JM27000066	CROSS HEAD SUNK SCREW M4X8		6		73181500		
062A_	JM27000067	TABLE INSERT		1		84679900		
063A_	JM27000068	RIGHT EXTENSION TABLE		1		84679900		
064	JM27000069	H.S.BOLT M14X20		2				
065	JM27000070	HEX NUT M8		3				
066	JM27000071	SPRING WASHER 8		3				
067	JM27000072	FLAT WASHER 8		3				
068	JM27000073	SQUARE NECK BOLT M8X25		3				
069	JM27000074	COVER A		1		84679900		
070	JM27000075	SUB FRONT RAIL		1				
071	JM27000078	COVER B		1		84679900		
072	JM27000079	SLIDING BAR A		2	*			
072-1	JM27000425	SLIDING BAR A	X	2				
073	JM27000082	FRONT RAIL		1				
074	JM27000085	LOCK KNOB A		1				
077A_	JM27000088	FIX PLATE		1				
078	JM27000089	PROTECTION PLATE		1		84679900		
079	JM27000090	DUST PORT		1		84679900		
080	JM27000091	HEX.BOLT M5X65		1				
081	JM27000092	HEX.BOLT M5X55		1				
082	JM27000093	CORD BRACKET		2		84679900		
083	JM27000094	CORD PROTECTION TUBE		1				
084A_	JM27000095	HOOK		2				
085	JM27000096	CROSS HEAD SCREW M5X25		6				
087	JM27000102	CLAMP PLATE		1				
088	JM27000103	CROSS HEAD SELF TAPPING SCREW		2				
089	JM27000104	HEX.BOLT M10X45		1				
090A_	JM27000105	CABINET		1		84679900		
091	JM27000108	BOTTOM		1				
092	JM27000109	BIG FLAT WASHER 4		1				
093	JM27000110	FRONT PANEL LABEL		1		83100090		
094	JM27000111	HEX BOLT M6X16		2				
095	JM27000112	BRACKET B		1				
096A_	JM27000113	LOGO LABEL		1		83100090		

Item	Parts No.	Description	I/C	QTY	N/O	Opt. 1	Opt. 2	NOTE
097	JM27000114	CROSS HEAD SELF TAPPING SCREW		2		73181500		
098	JM27000115	SOFT START DEVICE COVER		1				
100	JM27000117	CROSS HEAD SELF TAPPING SCREW		2				
101	JM27000118	STRAIN & RELIEF		2				
102	JM27000119	SWITCH COVER		1				
103	JM27000120	SWITCH BOX		1				
104A_	JM27000121	OVERLOAD SWITCH		1		85366990		
105	JM27000122	OVERLOAD SWITCH LABEL		1		83100090		
106	JM27000123	OVERLOAD SWITCH NUT		1		73181600		
107A_	JM27000124	MAGNETIC SWITCH A (HV)		1	*	85366990		
107A1	JM27000443	MAGNETIC SWITCH A (HV)	<	1		85366990		
108	JM27000136	CROSS HEAD SCREW M4X14		2		73181500		
109	JM27000137	HEX.NUT M6X12		1		73181600		
110	JM27000138	LOCK HANDLE		1		84679900		
111	JM27000139	LOCK BOLT		1		73181500		
112	JM27000140	TORSION SPRING		1		73209090		
113	JM27000141	BUSH		1		40169390		
114	JM27000142	RACK BRACKET		1		73182990		
115	JM27000143	SUPPORT PLATE		1				
116	JM27000144	CROSS HEAD SUNK SCREW M5X8		4				
117A_	JM27000145	TUBE		1				
119A_	JM27000147	MOTOR(230V)		1	*	85011019		
D10		INC. 246-250,253,256,257,260,			*			
D20		INC. 262,263,319-322,431,			*			
D30		INC. 446-448,466,467			*			
120	JM27000148	BRACKET		1		73182990		
121	JM27000149	H.S.BOLT M6X20		2		73181500		
122	JM27000150	RIVING KNIF		1		82029990		
123	JM27000151	FIX PLATE		1				
124	JM27000152	SLIDING PLATE		1				
125	JM27000153	FRAME		1		84679900		
126	JM27000154	COVER		1				
127	JM27000155	FLAT WASHER 5		2		73182200		
128	JM27000156	CROSS HEAD SCREW M5X20		2		73181500		
129	JM27000157	BAR		2				
130	JM27000158	ROD		1		73182990		
131	JM27000159	KEY 4X8		1		73182990		
132	JM27000160	ADJUSTING BRACKET		1		73182990		
133	JM27000161	H.S.BOLT M5X20		2		73181500		
134	JM27000162	BEVEL GEAR		1		84834000		
135	JM27000163	RETAINING RING 10		1		73182990		
136	JM27000164	POINTER		1		84679900		
137	JM27000165	ROD		1		73182990		
138	JM27000166	WHEEL		1		84679900		
139	JM27000167	CROSS HEAD SCREW M5X12		1		73181500		
140	JM27000168	KNOB		1		84679900		
141	JM27000169	SCREW		1		73181500		
142	JM27000170	PROTECTION PLATE		1				

Item	Parts No.	Description	I/C	QTY	N/O	Opt. 1	Opt. 2	NOTE
143	JM27000171	INNER FLANGE		1		73182990		
144	JM27000172	H.S.BOLT WITH GLUE M6X12		1				
145	JM27000173	PLATE		2				
146	JM27000174	CROSS HEAD SCREW M3X25		2				
147	JM27000175	BIG WASHER 3		2				
148	JM27000176	HEX LOCK NUT M3		2				
149	JM27000177	SELF TAPPING SCREW ST3.9X10		1				
150	JM27000178	PROTECTION PLATE		1		73182990		
151	JM27000179	OUTER FLANGE		1		73182990		
152	JM27000180	NUT M16		1		73181600		
153	JM27000181	PROTECTION PLATE		1				
154	JM27000182	PLATE		1				
155	JM27000183	NUT M5		1				
156	JM27000184	SUPPORT BRACKET		1				
157	JM27000185	COVER		1		73182990		
158	JM27000186	HANDLE		1				
159	JM27000187	PIN 3X30		1				
160	JM27000188	PIN		1				
161	JM27000189	ECCENTRIC WHEEL		1				
162	JM27000190	FRICITION PAD		1		84669200		
163	JM27000191	PIN		1				
164A_	JM27000192	BRACKET		1				
165	JM27000193	PRESSION SPRING		1		73209090		
166	JM27000194	PAW		1		84669200		
168	JM27000196	SCREW		1				
169	JM27000197	POINTER		1				
170	JM27000198	CROSS HEAD SCREW M4X8		1				
171	JM27000199	BRACKET		1				
172	JM27000200	INSERT		1				
173	JM27000201	RIP FENCE		1		73182990		
174	JM27000203	LOCK NUT		2		73181600		
175	JM27000204	SQUARE NECK BOLT M6X60		2		73181500		
176	JM27000205	INSERT		1				
177	JM27000206	SLIDING BAR		1				
178	JM27000207	POINTER		1				
179	JM27000208	FLAT WASHER 3		1				
180	JM27000209	CROSS HEAD SCREW M3X8		1				
181	JM27000210	WING NUT		1				
182	JM27000211	BIG WASHER 6		2		73182200		
183	JM27000212	WASHER		1				
184	JM27000213	LOCK KNOB		1		40169390		
185	JM27000214	SCALE LABEL		1				
186	JM27000215	HANDLE		1				
187	JM27000216	PIN		1		73182990		
188	JM27000217	THREAD ROD		1				
189	JM27000218	LINK		1				
190	JM27000219	PLATE		1				
191	JM27000220	INSERT		2				

Item	Parts No.	Description	I/C	QTY	N/O	Opt. 1	Opt. 2	NOTE
192	JM27000221	FENCE		1		73182990		
193	JM27000222	SQUARE NECK BOLT M6X30		2				
194A_	JM27000223	MITER GUAGE		1				
195	JM27000225	PAD		1				
246	JM23000152	POWER SUPPLY CORD		1		84679900		
247	JM27000292	CROSS HEAD SCREW M5X8		2				
248	JM27000293	COVER		1				
249	JM27000294	BRUSH COVER		2		84679900		
250	JM23000123	CARBON BRUSH		1		85452000		
251	JM27000296	BRUSH HOLDER		2		84679900		
253	JM27000299	CLAMP PLATE		1		84679900		
254	JM27000361	ABSORB RING		1		40169390		
255	JM27000301	BEARING 6001-2Z		1	*	84821090		
255-1	JM27000445	BEARING 6001DDW	<	1		84821090		
256A_	JM27000302	STATOR(230V)		1		84679900		
257	JM27000305	CROSS HEAD SELF TAPPING SCREW		2		73181500		
258A_	JM27000306	ROTOR(230V)		1		84679900		
259	JM27000312	BEARING 6201-2Z		1	*	84821090		
259-1	JM27000446	BEARING 6201DDW	<	1		84821090		
260	JM27000313	RING		1		73182990		
261	JM27000314	GEAR BOX		1	*			
261-1	JM27000423	GEAR BOX	<	1		84834000		
262	JM27000316	CROSS HEAD SCREW M5X35		4		73181500		
263	JM27000317	CROSS HEAD SUNK SCREW M5X16		3		73181500		
264	JM27000318	GEAR COVER		1				
265	JM27000319	BEARING 6003-2Z		1		84821090		
266	JM27000320	RETAINING RING 35		1				
267	JM27000321	OUTER SHAFT		1		84831090		
268	JM27000323	KEY 5X6.5X16		1		73182990		
269	JM27000324	GEAR		1		84834000		
270	JM27000325	RETAINING RING 16		1		73182990		
271	JM27000326	BUSH		1		40169390		
272	JM27000327	SLIDING TABLE PAD		2		84679900		
275	JM27000330	HOOK		1				
277	JM27000332	CLAMP		2				
278	JM27080019	NAME PLATE		1				
280A_	JM27000333	SCALE LABEL		1		83100090		
281A_	JM27000335	SCALE LABEL		1				
283A_	JM27000337	SCALE LABEL		2	*	83100090		
283A1	JM27000428	SCALE LABEL	X	2				
284	JM27000339	H.S.BOLT WITH GLUE M6X20		2				
285	JM27000340	BLADE GUARD		1				
286	JM27000341	CROSS HEAD SELF TAPPING SCREW		4				
287	JM27080020	WARNING LABEL		1		83100090		
288	JM27080060	WARNING LABEL		1		83100090		
309A_	JM27000052	UP BLADE GUARD ASSEMBLY (EU TY		1		73182990		
D10		INC. 49-60,122,285,286,288						
310A_	JM27000076	SUB FRONT RAIL ASSEMBLY (MMSCA		1		84679900		

Item	Parts No.	Description	I/C	QTY	N/O	Opt. 1	Opt. 2	NOTE
D10		INC. 70,281						
311A_	JM27000080	SLIDING BAR A ASSEMBLY (MMSCAL		1	*	84679900		
D10		INC. 72,283			*			
311A1	JM27000426	SLIDING BAR A ASSEMBLY (MMSCAL	X	1				
D10		INC. 72,283						
312A_	JM27000083	FRONT RAIL ASSEMBLY (MMSCALE)		1		84679900		
D10		INC. 73,280						
313B_	JM27000101	BLADE INNER LING 25.4		1				
314A_	JM27000106	CABINET ASSEMBLY(A)		1		84679900		
315D_	JM27000130	SWITCH ASSY 4 SWA SOX CAX		1				
D10		INC. 97,98,100-108,430,498						
316A_	JM27000202	RIP FENCE ASSEMBLY		1		73182990		
D10		INC. 121,158-166,168-173,175						
D20		INC. 176,418,435,458,484,500						
D30		INC. 501,521						
317A_	JM27000224	MITER GUAGE ASSEMBLY		1		84679900		
D10		INC. 92,157,174,177-195,452,						
D20		INC. 483,485,523						
319	JM27000298	MOTOR HOUSE ASSEMBLY		1		84679900		
D10		INC. 251						
320A_	JM27000309	ROTOR(230V)ASSEMBLY		1		84679900		
D10		INC. 254,255,258,259						
321	JM27000315	GEAR BOX ASSEMBLY		1	*			
D10		INC. 261,271			*			
321-1	JM27000424	GEAR BOX ASSEMBLY	<	1		84834000		
D10		INC. 261,271						
322	JM27000322	OUTER SHAFT ASSEMBLY		1		84831090		
D10		INC. 264-270						
411	JM27000024	FLAT WASHER 6		12		73182200		
412	JM27000024	FLAT WASHER 6		12		73182200		
413	JM27000024	FLAT WASHER 6		2		73182200		
414	JM27000024	FLAT WASHER 6		2		73182200		
415	JM27000024	FLAT WASHER 6		2		73182200		
416	JM27000024	FLAT WASHER 6		2		73182200		
417	JM27000024	FLAT WASHER 6		2		73182200		
418	JM27000024	FLAT WASHER 6		2		73182200		
424	JM27000004	CROSS HEAD SELF TAPPING SCREW		2		73181500		
426	JM27000004	CROSS HEAD SELF TAPPING SCREW		2		73181500		
427	JM27000004	CROSS HEAD SELF TAPPING SCREW		2		73181500		
428	JM27000004	CROSS HEAD SELF TAPPING SCREW		6		73181500		
429	JM27000004	CROSS HEAD SELF TAPPING SCREW		2		73181500		
430	JM27000004	CROSS HEAD SELF TAPPING SCREW		2		73181500		
431	JM27000004	CROSS HEAD SELF TAPPING SCREW		2		73181500		
432	JM27000009	FLAT WASHER 4		4		73182200		
433	JM27000009	FLAT WASHER 4		1		73182200		
434	JM27000009	FLAT WASHER 4		1		73182200		
435	JM27000009	FLAT WASHER 4		1		73182200		
437	JM27000009	FLAT WASHER 4		2		73182200		

Item	Parts No.	Description	I/C	QTY	N/O	Opt. 1	Opt. 2	NOTE
438	JM27000009	FLAT WASHER 4		2		73182200		
439	JM27000009	FLAT WASHER 4		2		73182200		
440	JM27000009	FLAT WASHER 4		1		73182200		
441	JM27000155	FLAT WASHER 5		2		73182200		
442	JM27000155	FLAT WASHER 5		2		73182200		
443	JM27000155	FLAT WASHER 5		1		73182200		
444	JM27000155	FLAT WASHER 5		1		73182200		
445	JM27000155	FLAT WASHER 5		2		73182200		
446	JM27000155	FLAT WASHER 5		4		73182200		
447	JM27000155	FLAT WASHER 5		2		73182200		
448	JM27000155	FLAT WASHER 5		2		73182200		
449	JM27000016	CROSS HEAD SCREW M6X10		3		73181500		
450	JM27000033	HEX BOLT M6X10		3		73181600		
451	JM27000013	SPRING WASHER 4		4		73182200		
452	JM27000013	SPRING WASHER 4		1		73182200		
453	JM27000013	SPRING WASHER 4		2		73182200		
454	JM27000013	SPRING WASHER 4		2		73182200		
455	JM27000013	SPRING WASHER 4		1		73182200		
457	JM27000017	SPRING WASHER 6		3		73182200		
458	JM27000017	SPRING WASHER 6		2		73182200		
459	JM27000017	SPRING WASHER 6		2		73182200		
460	JM27000017	SPRING WASHER 6		2		73182200		
461	JM27000017	SPRING WASHER 6		2		73182200		
462	JM27000032	HEX. NUT M6		1		73181600		
463	JM27000048	SPRING WASHER 5		2		73182200		
464	JM27000048	SPRING WASHER 5		2		73182200		
465	JM27000048	SPRING WASHER 5		1		73182200		
466	JM27000048	SPRING WASHER 5		4		73182200		
467	JM27000048	SPRING WASHER 5		2		73182200		
468	JM27000042	CROSS HEAD SCREW M5X10		2		73181500		
469	JM27000042	CROSS HEAD SCREW M5X10		2		73181500		
470	JM27000042	CROSS HEAD SCREW M5X10		2		73181500		
471	JM27000042	CROSS HEAD SCREW M5X10		2		73181500		
472	JM27000042	CROSS HEAD SCREW M5X10		1		73181500		
473	JM27000109	BIG FLAT WASHER 4		2				
474	JM27000109	BIG FLAT WASHER 4		6				
475	JM27000109	BIG FLAT WASHER 4		2				
476	JM27000109	BIG FLAT WASHER 4		1				
477	JM27000011	CROSS HEAD SCREW M4X12		4		73181500		
478	JM27000011	CROSS HEAD SCREW M4X12		1		73181500		
479	JM27000011	CROSS HEAD SCREW M4X12		1		73181500		
480	JM27000011	CROSS HEAD SCREW M4X12		2		73181500		
481	JM27000047	BIG FLAT WASHER 5		6				
482	JM27000047	BIG FLAT WASHER 5		2				
483	JM27000066	CROSS HEAD SUNK SCREW M4X8		2		73181500		
484	JM27000066	CROSS HEAD SUNK SCREW M4X8		1		73181500		
485	JM27000027	CROSS HEAD SCREW M4X10		1		73181500		
486	JM27000027	CROSS HEAD SCREW M4X10		2		73181500		

Item	Parts No.	Description	I/C	QTY	N/O	Opt. 1	Opt. 2	NOTE
487	JM27000027	CROSS HEAD SCREW M4X10		2		73181500		
488	JM27000027	CROSS HEAD SCREW M4X10		1		73181500		
489	JM27000037	SELF TAPPING SCREW ST3.9X8		3		73181500		
490	JM27000149	H.S.BOLT M6X20		2		73181500		
491	JM27000149	H.S.BOLT M6X20		2		73181500		
492	JM27000070	HEX NUT M8		2				
493	JM27000071	SPRING WASHER 8		2				
494	JM27000072	FLAT WASHER 8		2				
495	JM27000073	SQUARE NECK BOLT M8X25		2				
496	JM27000038	CROSS HEAD SCREW M6X16		2		73181500		
497	JM27000043	LOCK KNOB		2		40169390		
498	JM27000114	CROSS HEAD SELF TAPPING SCREW		2		73181500		
500	JM27000203	LOCK NUT		2		73181600		
501	JM27000211	BIG WASHER 6		2		73182200		
504	JM27000051	LOCK NUT M6		2		73181600		
505	JM27000005	EXTERIOR HALF HANDLE		1		84679900		
506	JM27000006	INTERIOR HALF HANDLE		1		84679900		
507	JM27000007	HEX.LOCK NUT M4		1		73181600		
508	JM27000010	LIMITED BRACKET		1		84679900		
509	JM27000018	SLIDING TABLE RACK RAIL		1		84679900		
510	JM27000039	FIX BRACKET A		1		73182990		
511	JM27000064	WASHER A		1		73182200		
514	JM27000074	COVER A		1		84679900		
515	JM27000078	COVER B		1		84679900		
516	JM27000152	SLIDING PLATE		1				
517	JM27000159	KEY 4X8		1		73182990		
518	JM27000162	BEVEL GEAR		1		84834000		
519	JM27000163	RETAINING RING 10		1		73182990		
520	JM27000167	CROSS HEAD SCREW M5X12		1		73181500		
521	JM27000185	COVER		1		73182990		
523	JM27000210	WING NUT		1				
524	JM27000036	SLIDING TABLE COVER		1		84679900		
A01	JM27000086	PUSH STICK		1		84679900		
A02	JM27000087	WRENCH B		2		82041120		
A03	JM27000328	TRIANGLE PLATE		1		84679900		
A04	JM27000329	WRENCH		1		82041120		
A05	JM27000098	BLADE 255X25.4		1		82029990		