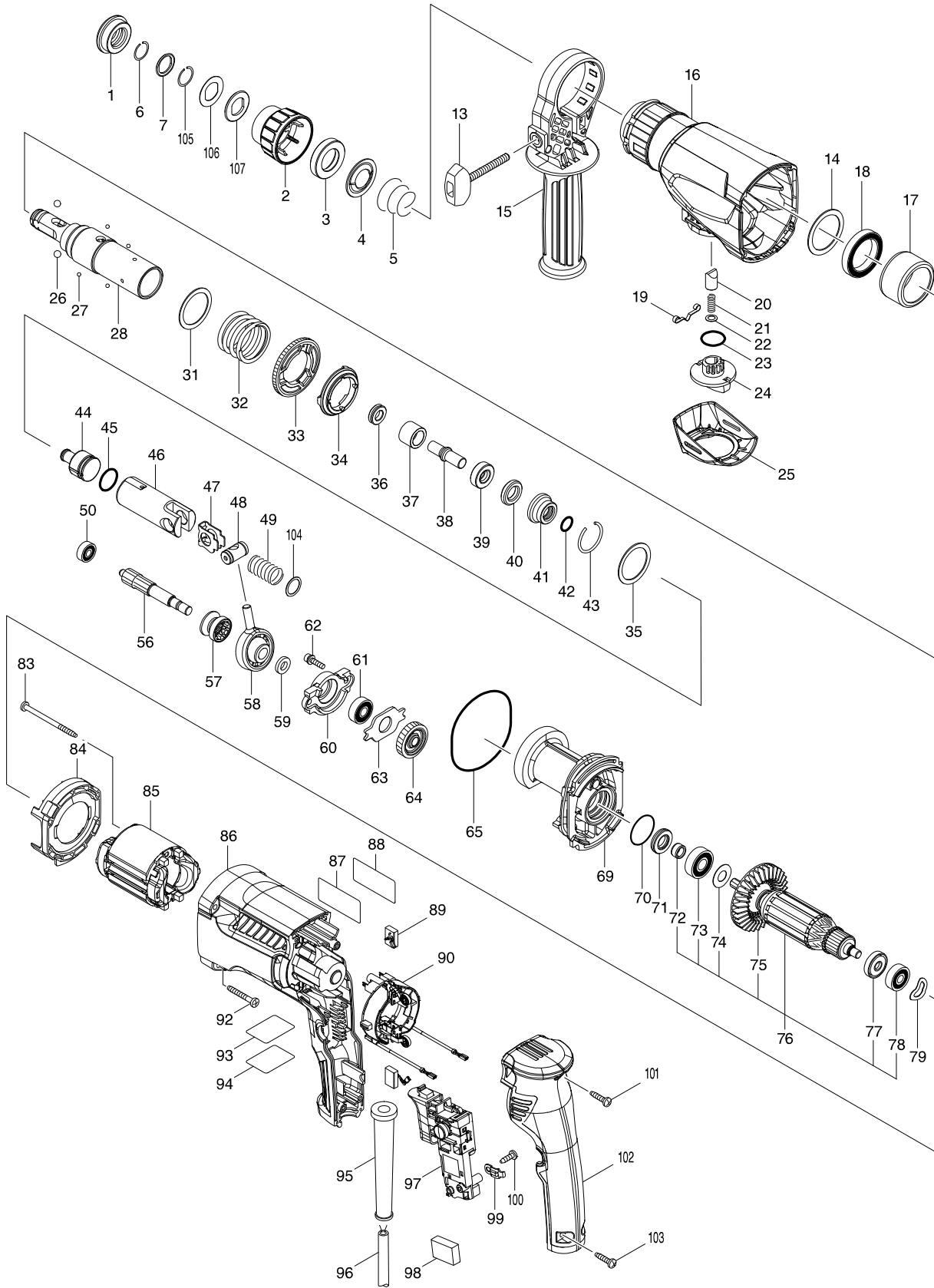


Model No. M8700 20MM ROTARY HAMMER



Model No. M8700 20MM ROTARY HAMMER

Item	Parts No.	Description	I/C	Qty	N/O	Opt. 1	Opt. 2	Note
001	286288-8	CAP 35		1		40169390		
002	452986-8	CHUCK COVER		1	*	84679900		
002-1	456529-8	CHUCK COVER	S	1		84679900		
003	325813-1	RING 21		1		73182990		
004	346177-0	GUIDE WASHER		1		73182200		
005	233916-6	CONICAL COMP. SPRING 21-29		1		73209090		
006	233989-9	RING SPRING 14		1		73209090		
007	346221-3	WASHER 16		1	*	73182200		
007-1	346834-0	WASHER 16	S	1		73182200		
013	265795-4	THUMB SCREW M6X52		1		73181500		
014	267415-6	FLAT WASHER 33		1		73182200		
015	452985-0	GRIP 34		1		40169390		
016	143120-8	GEAR HOUSING COMPLETE		1				
C10	213636-8	OIL SEAL 25		1		40169320		
017	346178-8	CUP SLEEVE		1		73182200		
018	211423-9	BALL BEARING 6806DDW		1		84821090		
019	232152-1	LEAF SPRING		1		73209090		
020	325785-0	PUSH CORN		1		73182990		
021	234147-0	COMPRESSION SPRING 5		1		73209090		
022	253308-3	THIN WASHER 6		1		84679900		
023	213258-4	O RING 17.5		1		40169320		
024	452983-4	CHANGE LEVER		1		84679900		
025	452982-6	CHANGE LEVER COVER		1		84679900		
026	216022-2	STEEL BALL 7.0		2		73182990		
027	216019-1	STEEL BALL 3		4		73182990		
028	141068-8	TOOL HOLDER COMPLETE		1	*	84679900		
028-1	144273-6	TOOL HOLDER COMPLETE	<	1		84679900		
031	267153-0	FLAT WASHER 30		1		73182200		
032	234222-2	COMPRESSION SPRING 31		1		73209090		
033	227268-5	SPUR GEAR 51		1		84679900		
034	313218-7	DRIVING FLANGE		1		84679900		
035	267153-0	FLAT WASHER 30		1		73182200		
036	213075-2	X-RING 9		1		40169320		
037	325782-6	SLEEVE 9A		1		73182990		
038	325789-2	IMPACT BOLT A		1		73181500		
039	325794-9	RING 10A		1		73182990		
040	424267-0	CUSHION RING 12		1		40169390		
041	325798-1	O-RING CASE A		1		73182990		
042	213073-6	O RING 9		1		40169320		
043	233979-2	RING SPRING 28		1		73209090		
044	326096-6	STRIKER		1		84679900		
045	213258-4	O RING 17.5		1		40169320		
046	310345-1	PISTON CYLINDER		1		84679900		
047	346036-8	GUIDE PLATE		1		73182990		
048	326097-4	PISTON JOINT		1	*	84679900		
048-1	324215-8	PISTON JOINT	O	1		73182990		
049	234098-7	COMPRESSION SPRING 14		1		73209090		
050	210028-2	BALL BEARING 606ZZ		1		84821090		

Model No. M8700 20MM ROTARY HAMMER

Item	Parts No.	Description	I/C	Qty	N/O	Opt. 1	Opt. 2	Note
056	227269-3	SPUR GEAR 10		1		84679900		
057	223174-2	CLUTCH CAM		1		84679900		
058	219021-3	SWASH BEARING 10		1		84821090		
059	257321-3	RING 8		1		73182990		
060	310344-3	BEARING BOX		1		84833000		
061	210029-0	BALL BEARING 608ZZ		1		84821090		
062	266437-3	HEX. SOCKET HEAD BOLT M4X16		2		73181500		
063	285735-6	BEARING RETAINER		1		84679900		
064	227748-1	HELICAL GEAR 27		1		84834000		
065	213727-5	O-RING 63		1		40169320		
069	141664-2	INNER HOUSING COMPLETE		1		39269099		
C10	443153-6	FELT		1		84679900		
070	213407-3	O RING 26		1		40169320		
071	213678-2	OIL SEAL 12		1		40169330		
072	262571-7	SLEEVE 8		1		73182990		
073	210067-2	BALL BEARING 6000ZZ		1		84821090		
074	267213-8	FLAT WASHER 10		1		73182200		
075	240084-8	FAN 60		1		84145190		
076	515859-7	ARMATURE ASSEMBLY 240V		1		85030090		
D10		INC. 72-75,77,78						
077	681652-2	INSULATION WASHER		1		73182200		
078	210030-5	BALL BEARING 627ZZ		1		84821090		
079	267804-5	WAVE WASHER 15		1		73182200		
083	266334-3	TAPPING SCREW 4X60		2		73181500		
084	452984-2	BAFFLE PLATE		1		73182990		
085	633793-0	FIELD 220-240V		1		85030090		
086-1	455974-4	MOTOR HOUSING		1		84679900		
087	850W86-0	M8700 NAME PLATE		1				
088	890304-6	CLEAR LABEL		1				
089	194722-3	CARBON BRUSH CB-459		1		85452000		
090	638747-2	BRUSH HOLDER UNIT		1		82078000		
092	266361-0	TAPPING SCREW 4X30		4		73181500		
093	850W88-6	M8700 SERIAL NO. LABEL		1				
094	890297-7	CLEAR LABEL		1				
095	682566-8	CORD GUARD 10		1		73182990		
096-1	695490-6	POWER SUPPLY CORD 1.0-2-4.0		1	*			
096-2	665890-4	POWER SUPPLY CORD 1.0-2-4.0	O	1		85442090		
097	650671-9	SWITCH TG853TB-1C		1		85366990		
099	687682-1	STRAIN RELIEF		1		84679900		
100	266385-6	TAPPING SCREW 4X14		1		73181500		
101	266326-2	TAPPING SCREW 4X18		1		73181500		
102-1	455975-2	HANDLE COVER		1		84679900		
103	266326-2	TAPPING SCREW 4X18		2		73181500		
104	267447-3	FLAT WASHER 14		1		73182200		
105	233992-0	RING SPRING 15		1		73209090		
106	267437-6	FLAT WASHER 17		1	*	73182200		
106-1	267114-0	FLAT WASHER 17	S	1		73182200		
107	424364-2	RUBBER WASHER 16		1	*	40169390		

