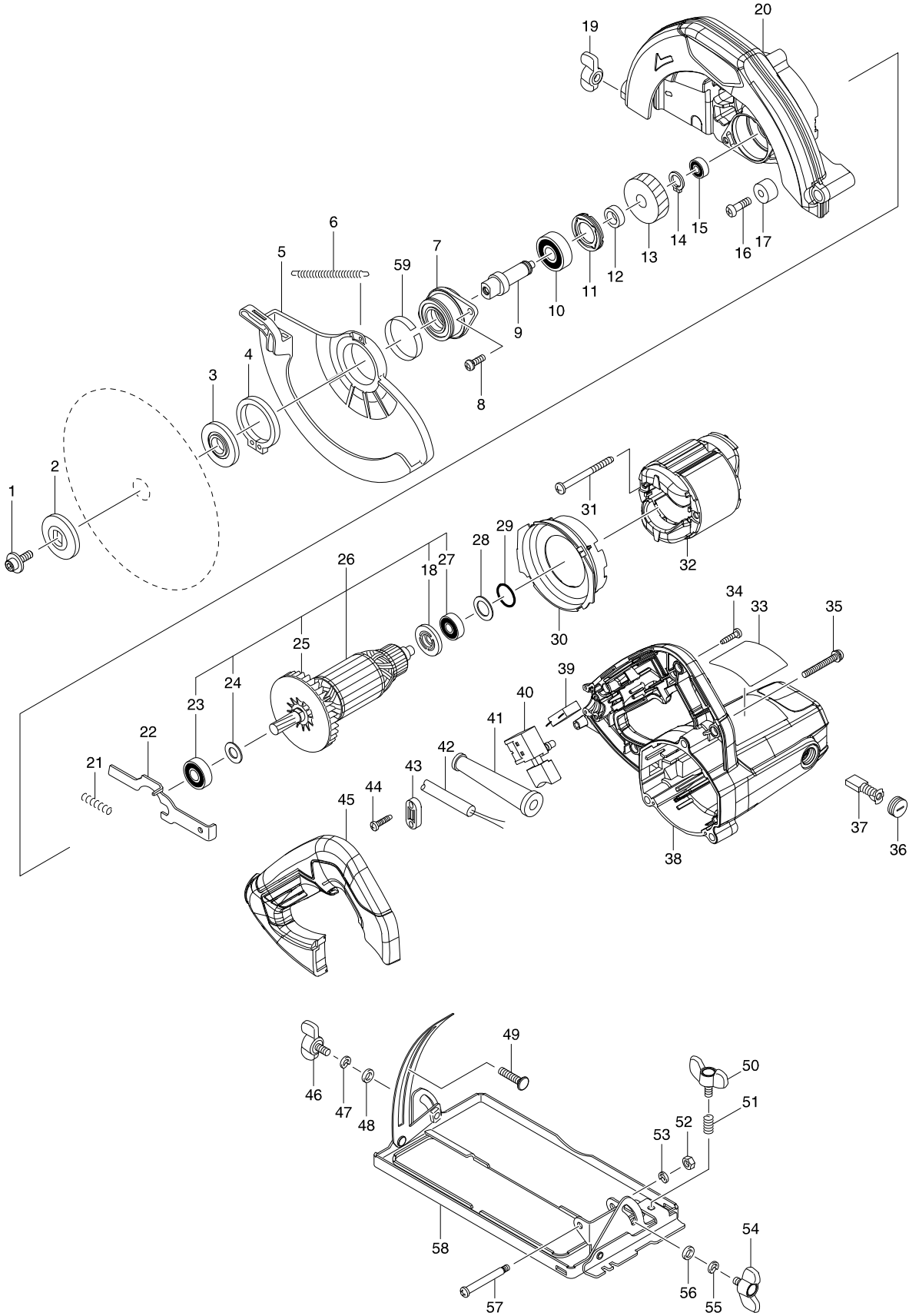


Model No. M5801 185MM CIRCULAR SAW



Model No. M5801 185MM CIRCULAR SAW

Item	Parts No.	Description	I/C	Qty	N/O	Opt. 1	Opt. 2	Note
001	266819-9	HEX.SOKCET HEAD BOLT M6X20		1		73181500		
002	224387-8	OUTER FLANGE 40		1		73182990		
003	224386-0	INNER FLANGE 40		1		73182990		
004	961155-5	RETAINING RING S-38		1		73182990		
005	418150-1	SAFETY COVER		1		73182990		
006	231833-4	TENSION SPRING 3		1		73209090		
007	318880-3	BEARING BOX		1		84833000		
008	265120-9	PAN HEAD SCREW M5X16		2		73181500		
009	324320-1	SPINDLE		1		84679900		
010	211477-6	BALL BEARING 6201ZZ		1		84821090		
011	285852-2	BEARING RETAINER 19-33		1		73182990		
012	257173-2	RING 12		1		73182990		
013	227768-5	HELICAL GEAR 38		1		84679900		
014	961052-5	RETAINING RING S-12		1		73182990		
015	210137-7	BALL BEARING 606ZZ		1		84821090		
016	265117-8	+PAN HEAD SCREW M6X20		1		73181500		
017	262556-3	RUBBER SLEEVE 6		1		73182990		
018	681644-1	INSULATION WASHER		1		73182200		
019	252649-4	THUMB NUT M6		1		73181500		
020	143126-6	BLADE CASE COMPLETE		1		84672900		
C10	213445-5	O-RING 26		1		40169320		
021	233117-6	COMPRESSION SPRING 6		1		73209090		
022	345317-7	SHAFT LOCK		1		73182990		
023	210067-2	BALL BEARING 6000ZZ		1	*	84821090		
023-1	210199-5	BALL BEARING 6000ZZ	O	1				
024	267256-0	FLAT WASHER 10		1		73182200		
025	240064-4	FAN 70		1		84145190		
026	513864-8	ARMATURE ASS'Y 240V		1		85030090		
D10		INC. 18,23-25,27						
027	210046-0	BALL BEARING 608ZZ		1		84821090		
028	267255-2	FLAT WASHER 14		1		73182200		
029	213279-6	O RING 18		1		40169320		
030	452092-9	BAFFLE PLATE		1		73182990		
031	266329-6	TAPPING SCREW 5X60		2		73181500		
032-1	593864-4	FIELD ASS'Y 240V		1	*	85030090		
C10	654220-4	RING TERMINAL		2	*	73182990		
C20	654501-6	CONNECTOR P-1.25		2	*	73182990		
032-2	590068-9	FIELD ASSY 240V	O	1				
C10	654020-2	RING TERMINAL		2		73182990		
C20	654501-6	CONNECTOR P-1.25		2		73182990		
033	850U99-9	M5801 NAME PLATE		1				
034	266326-2	TAPPING SCREW 4X18		4	*	73181500		
034-1	265652-6	TAPPING SCREW 4X18	O	4				
035	265104-7	PAN HEAD SCREW M5X40		3		73181500		
036	644500-6	HOLDER CAP 7X11		2	*	40169390		
036-1	643003-7	HOLDER CAP 7X11	O	2	*			
036-2	644500-6	HOLDER CAP 7X11	O	2	*	40169390		
036-3	643750-0	BRUSH HOLDER CAP 7-11	O	2		40169390		

