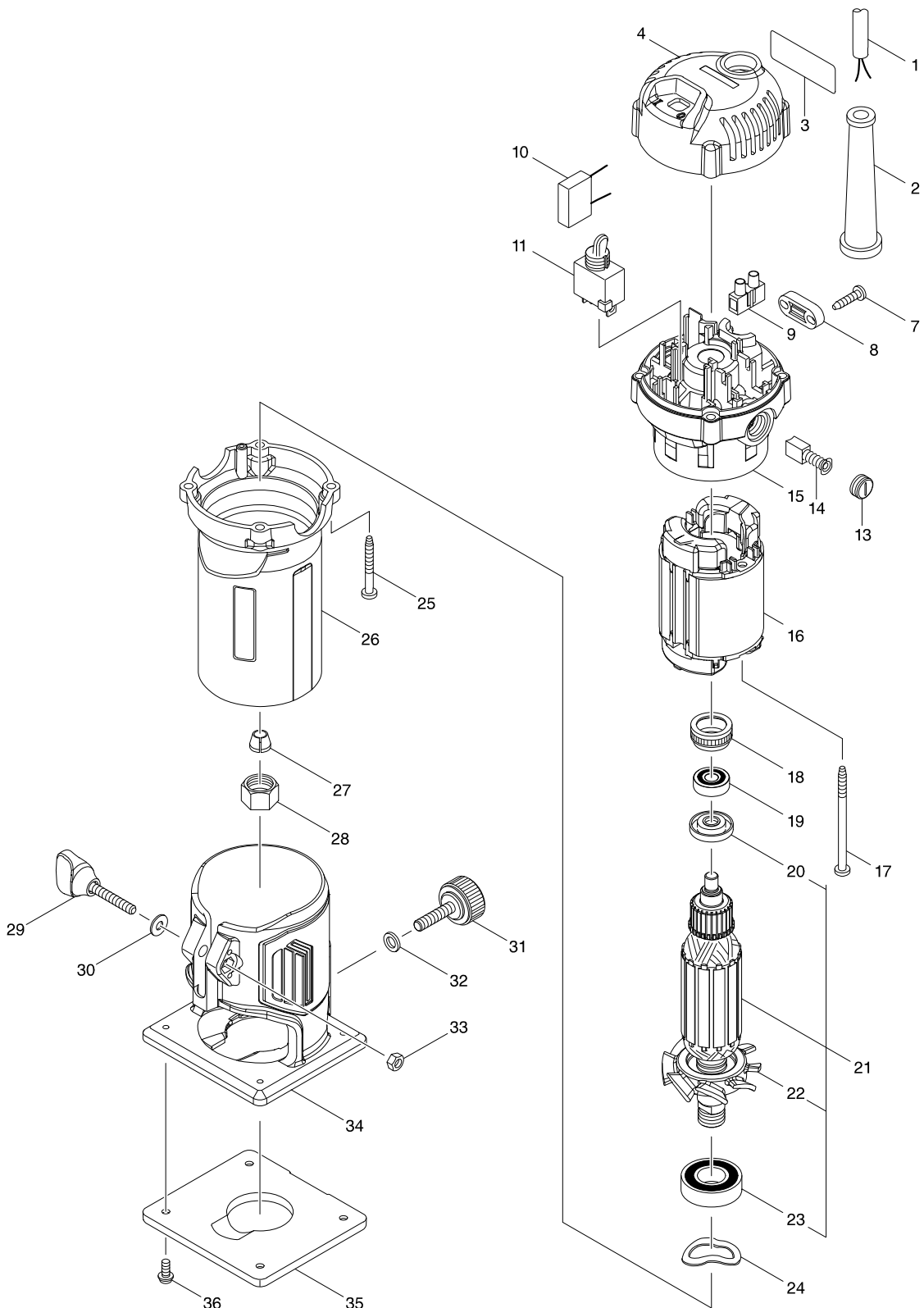


Model No. M3700 TRIMMER



Model No. M3700 TRIMMER

Item	Parts No.	Description	I/C	Qty	N/O	Opt. 1	Opt. 2	Note
001	666053-5	POWER SUPPLY CORD 1.0-2-2.0		1		85442090		
002	682569-2	CORD GUARD 8-85		1		73182990		
003	852B29-2	M3700 NAME PLATE		1				
004	450665-2	TOP COVER		1		84679900		
007	266326-2	TAPPING SCREW 4X18		2		73181500		
008	687123-7	STRAIN RELIEF		1		84679900		
011	651424-9	SWITCH STL106AT		1		85366990		
013	643987-9	BRUSH HOLDER CAP 5-8		2		40169390		
014	191940-4	CARBON BRUSH CB-411		1		85452000		
015	143582-0	BRACKET COMPLETE		1	*	84679900		
C10	643858-0	BRUSH HOLDER 6X9		2	*	82078000		
C11	643509-5	BRUSH HOLDER 6X9	O	2	*			
C12	643858-0	BRUSH HOLDER 6X9	<	2	*	82078000		
015-1	140L30-2	BRACKET COMPLETE	<	1				
C12	643858-0	BRUSH HOLDER 6X9	<	2		82078000		
016	593594-7	FIELD ASS'Y 240V		1	*	85030090		
C10	654221-2	RING TERMINAL		2	*	73182990		
C11	654450-7	RING TERMINAL	O	2	*			
C20	654501-6	CONNECTOR P-1.25		2	*	73182990		
C21	654485-8	PARALLEL SPLICE	>	2	*			
016-1	593974-7	FIELD ASSY 240V	O	1		84679900		
C11	654450-7	RING TERMINAL	O	2				
C21	654485-8	PARALLEL SPLICE	>	2				
017	266340-8	TAPPING SCREW 4X65		2		73181500		
018	421868-5	LABYRINTH RUBBER RING 19		1		40169390		
019	210062-2	BALL BEARING 607ZZ		1		84821090		
020	681668-7	INSULATION WASHER		1		73182200		
021	510227-9	ARMATURE ASS'Y 240V		1		85030090		
D10		INC. 19,20,22,23						
022	241667-7	FAN 52		1		84145190		
023	211247-3	BALL BEARING 6002DDW		1		84821090		
024	267785-3	WAVE WASHER 23		1		73182200		
025	266351-3	TAPPING SCREW 4X35		4		73181500		
026	143581-2	MOTOR HOUSING COMPLETE		1		84679900		
027	763662-2	COLLET CONE 6		1		82079090		
028	763661-4	COLLET NUT 6		1		73181600		
029	265762-9	THUMB SCREW M5X30		1	*	73181500		
029-1	251867-1	THUMB SCREW M5X30	<	1		73181500		
030	941101-4	FLAT WASHER 5		1		73182200		
031	265763-7	THUMB SCREW M6X25		1		73181500		
032	941151-9	FLAT WASHER 6		1		73182200		
033	931202-6	HEX. NUT M5		1	*	73181500		
033-1	252156-7	HEX. NUT M5-8	<	1				
034	454022-6	BASE		1		84679900		
035	410585-2	BASE PROTECTOR		1		73182990		
036	265142-9	+ PAN HEAD SCREW M4X10		4		73181500		
A01	122703-7	TRIMMER GUIDE ASS'Y		1		84679900		
C10	251471-6	- FLAT HEAD SCREW M5		1		73181500		

