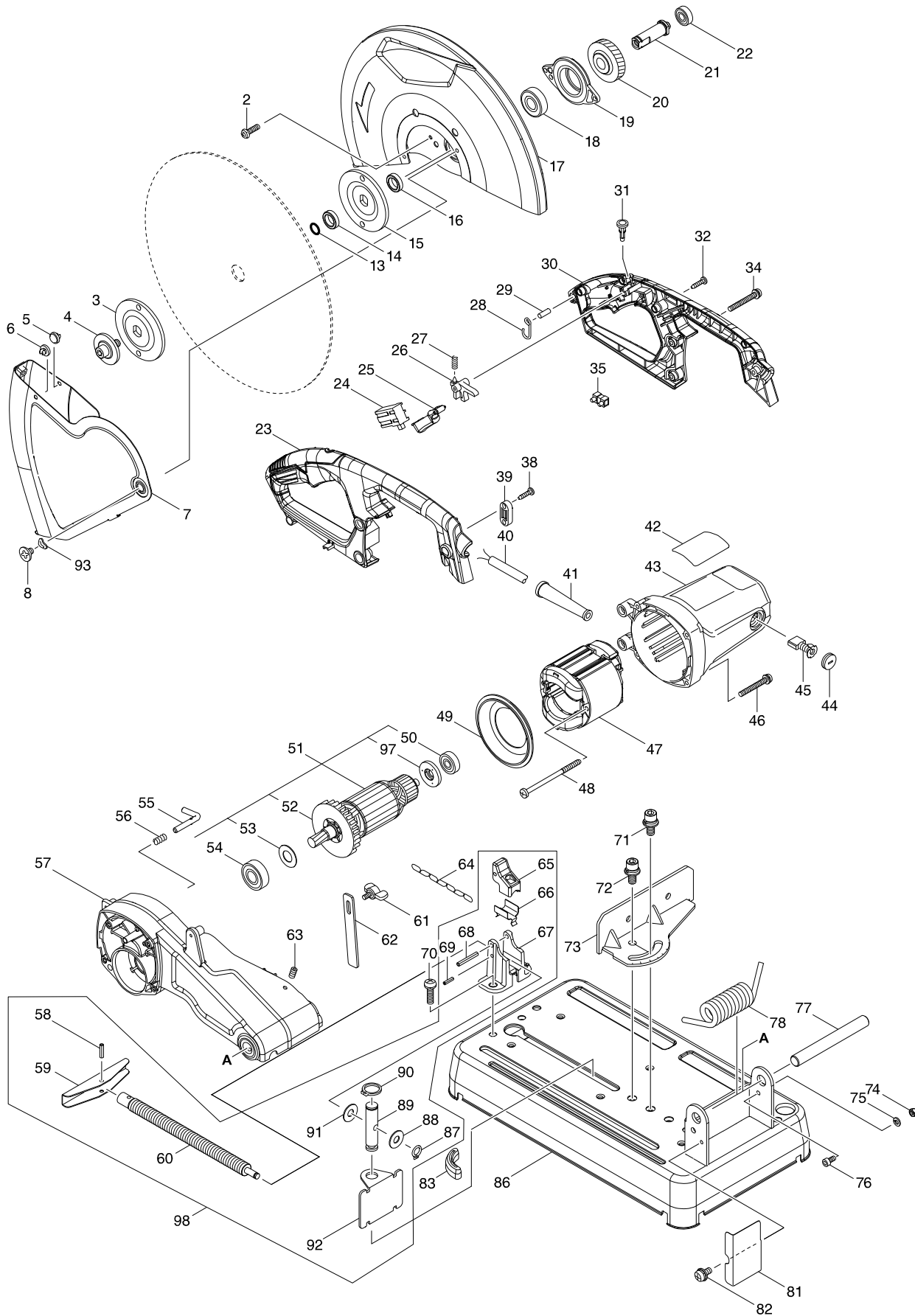


# Model No. M2401 355MM PORTABLE CUT OFF



# Model No. M2401 355MM PORTABLE CUT OFF

Item	Parts No.	Description	I/C	Qty	N/O	Opt. 1	Opt. 2	Note
002	265122-5	PAN HEAD SCREW M5X20		4		73181500		
003	224299-5	FLANGE 90		1		73182990		
004	251498-6	HEX SOCKET HEAD BOLT M10X25		1		73181500		
005	416771-3	PLUG		1		84679900		
006	416771-3	PLUG		1		84679900		
007	161529-2	SAFETY GUIDE		1		84679900		
008	265121-7	+ FLAT HEAD SCREW M6		1		73181500		
013	213180-5	O RING 14		1		40169320		
014	257255-0	RING 17		1		73182990		
015	224299-5	FLANGE 90		1		73182990		
016	257255-0	RING 17		1		73182990		
017	161530-7	SAFETY COVER		1		84679900		
018	210155-5	BALL BEARING 6203ZZ		1		84821090		
019	316527-3	BEARING BOX		1		84833000		
020	221462-1	HELICAL GEAR 43		1		84834000		
021	326790-0	SPINDLE		1		84679900		
022A	210067-2	BALL BEARING 6000ZZ		1	*	84821090		
022-1A	210199-5	BALL BEARING 6000ZZ	O	1				
022-1L	210199-5	BALL BEARING 6000ZZ		1				
023	183E50-1	HANDLE SET		1		84679900		
D10		INC. 30						
024	651067-7	SWITCH		1		85366990		
025	418141-2	SWITCH LEVER		1		39269099		
026	418139-9	SWITCH LOCK		1		73182990		
027	231397-8	COMPRESSION SPRING 4		1		73209090		
028	281216-8	HANGER		1		73182990		
029	268101-2	PIN 6		1		73182990		
030	183E50-1	HANDLE SET		1		84679900		
D10		INC. 23						
031	418138-1	SWITCH BUTTON		1		39269099		
032	266841-6	TAPPING SCREW 4X18		4		73181500		
034	265104-7	PAN HEAD SCREW M5X40		3		73181500		
038	266841-6	TAPPING SCREW 4X18		2		73181500		
039A	687124-5	STRAIN RELIEF		1		84679900		
039L	687140-7	STRAIN RELIEF		1		84679900		
040A	695480-9	POWER SUPPLY CORD 1.0-2-2.5		1	*	85442090		
040-1A	665865-3	POWER SUPPLY CORD 1.0-2-2.5	O	1		85442090		
040-1L	695107-1	POWER SUPPLY CORD 1.5-2-2.5		1		85442090		
041A	682540-6	CORD GUARD 9.3-90		1	*	73182990		
041-1A	682574-9	CORD GUARD 10-90	O	1		73182990		
041-1L	682574-9	CORD GUARD 10-90		1		73182990		
042	852N80-4	M2401 NAME PLATE		1				
043	144055-6	MOTOR HOUSING COMPLETE		1		84679900		
044	644802-0	HOLDER CAP		2		40169390		
045	191953-5	CARBON BRUSH CB-203		1		85452000		
046	265104-7	PAN HEAD SCREW M5X40		4		73181500		
047A	593949-6	FIELD ASS'Y 240V		1	*	85030090		
047L	593946-2	FIELD ASS'Y 115V		1	*			

# Model No. M2401 355MM PORTABLE CUT OFF

Item	Parts No.	Description	I/C	Qty	N/O	Opt. 1	Opt. 2	Note
047-1A	593949-6	FIELD ASS'Y 240V	O	1		85030090		
047-1L	593946-2	FIELD ASS'Y 115V	O	1				
048A	266328-8	TAPPING SCREW 5X80		2	*	73181500		
048-1A	265A45-3	TAPPING SCREW 5X80	O	2				
048-1L	265A45-3	TAPPING SCREW 5X80		2				
049	418143-8	BAFFLE PLATE		1		73182990		
050	210070-3	BALL BEARING 6200ZZ		1		84821090		
051A	513494-5	ARMATURE ASS'Y 240V		1		85030090		
051L	513491-1	ARMATURE ASS'Y 115V		1				
D10		INC. 50,52-54,97						
052	240003-4	FAN 80		1		84145190		
053	267274-8	FLAT WASHER 15		1		73182200		
054	210156-3	BALL BEARING 6202ZZ		1		84821090		
055	322665-1	STOPPER		1		84679900		
056	233372-0	COMPRESSION SPRING 7		1		73209090		
057	144057-2	GEAR HOUSING COMPLETE		1		84679900		
C10	263029-9	RUBBER PIN 6		1		40169390		
058	951163-4	SPRING PIN 5-20		1		73182990		
059	271431-2	HANDLE 120		1		84679900		
060	326802-9	WISE SCREW		1		73181500		
061	265754-8	THUMB SCREW M6X12		1		73181500		
062	347084-0	STOPPER PLATE		1		73182990		
063	251961-9	H.S.SET SCREW(FLAT POINT)M6X10		2		73181500		
064	282015-1	CHAIN		1		82029990		
065	313114-9	WISE NUT		1		73181600		
066	347083-2	PLATE		1		73182990		
067	319474-7	SCREW GUIDE		1		84679900		
068	951175-7	SPRING PIN 5-36		1		73182990		
069	951110-5	SPRING PIN 4-16		1		73182990		
070A	265125-9	PAN HEAD SCREW M8X30		2	*	73181500		
070-1A	265A65-7	PAN HEAD SCREW M8X30	O	2				
070-1L	265A65-7	PAN HEAD SCREW M8X30		2				
071	251499-4	H. S. HEAD BOLT M10X25 WITH WG		1		73181500		
072	251499-4	H. S. HEAD BOLT M10X25 WITH WG		1		73181500		
073	345315-1	GUIDE PLATE		1		73182990		
074	931302-2	HEX. NUT M6		1		73181500		
075A	942151-2	SPRING WASHER 6		1	*	73182200		
075-1A	253428-3	SPRING WASHER 6	O	1		84679900		
075-1L	253428-3	SPRING WASHER 6		1		84679900		
076	922312-0	HEX. SOCKET HEAD BOLT M6X12		1		73181500		
077	326801-1	ROD 16		1		73182990		
078	232325-6	TORSION SPRING 20		1		73209090		
081	345313-5	SPARK GUARD		1		73182990		
082A	265144-5	PAN HEAD SCREW M6X12		1	*	73181500		
082-1A	911313-3	PAN HEAD SCREW M6X12 WITH WR	O	1		73181500		
082-1L	911313-3	PAN HEAD SCREW M6X12 WITH WR		1		73181500		
083	421834-2	CUSHION		3		40169390		
086	161528-4	BASE		1		84679900		

