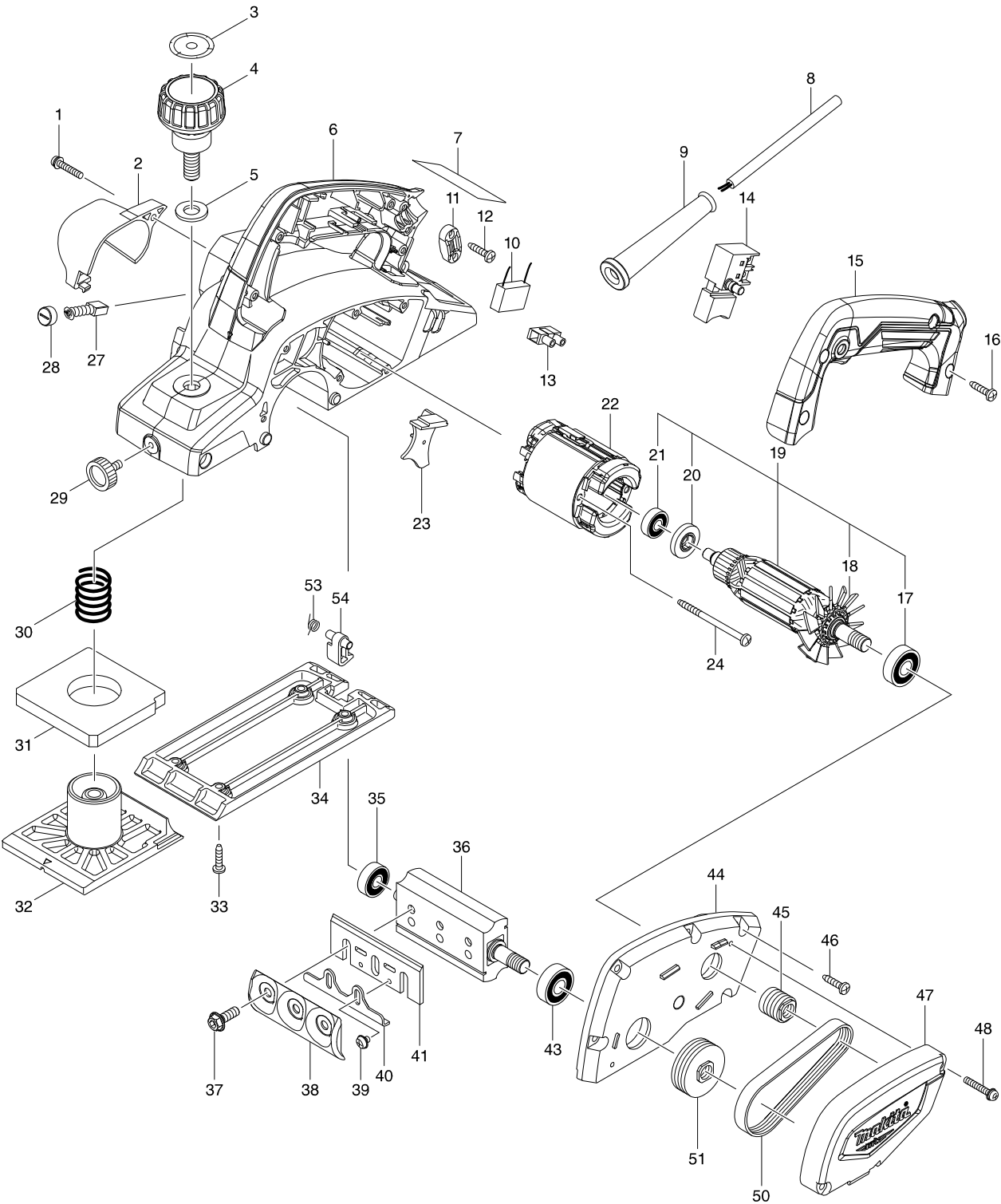


Model No. M1902 82MM PLANER



Model No. M1902 82MM PLANER

Item	Parts No.	Description	I/C	Qty	N/O	Opt. 1	Opt. 2	Note
001	265147-9	+ PAN HEAD SCREW M4X22		1		73181500		
002	456708-8	CHIP COVER		1		84679900		
003	809N37-6	SCALE LABEL		1		39199090		
004	271429-9	KNOB 44		1		40169390		
005	267278-0	FLAT WASHER 10		1		73182200		
006	143762-8	MAIN FRAME COMPLETE		1	*	84679900		
C10	643509-5	BRUSH HOLDER 6X9		2	*			
006-1	140A25-9	MAIN FRAME COMPLETE	S	1		84679900		
C10	643509-5	BRUSH HOLDER 6X9		2	*			
C11	643858-0	BRUSH HOLDER 6X9	<	2		82078000		
007	852K30-1	M1902 NAME PLATE		1				
008	697153-0	POWER SUPPLY CORD 1.0-2-2.0		1		85442090		
009	682569-2	CORD GUARD 8-85		1		73182990		
011	687123-7	STRAIN RELIEF		1		84679900		
012	266841-6	TAPPING SCREW 4X18		2		73181500		
014	650246-4	SWITCH TN14-3-C01-1		1		85366990		
015	456705-4	HANDLE COVER		1		84679900		
016	266841-6	TAPPING SCREW 4X18		4		73181500		
017	210141-6	BALL BEARING 6000DDW		1		84821090		
018	240068-6	FAN 52		1		84145190		
019	513479-1	ARMATURE ASS'Y 240V		1		85030090		
D10		INC. 17,18,20,21						
020	681672-6	INSULATION WASHER		1				
021	211382-7	BALL BEARING 607ZZ		1		84821090		
022	593924-2	FIELD ASS'Y 240V		1	*	85030090		
C10	654450-7	RING TERMINAL		2	*			
C20	654501-6	CONNECTOR P-1.25		2	*	73182990		
C21	654485-8	PARALLEL SPLICE	>	2	*			
022-1	594704-9	FIELD ASSY 240V	S	1				
C10	654450-7	RING TERMINAL		2				
C21	654485-8	PARALLEL SPLICE	>	2				
023	456707-0	ASSIST FAN GUIDE		1		73182990		
024	266334-3	TAPPING SCREW 4X60		2		73181500		
027	191940-4	CARBON BRUSH CB-411		1		85452000		
028	643987-9	BRUSH HOLDER CAP 5-8		2		40169390		
029	265757-2	THUMB SCREW M5X10		1		73181500		
030	233395-8	COMPRESSION SPRING 18		1		73209090		
031	421858-8	RUBBER PACKING		1		40169390		
032	319418-7	FRONT BASE		1		84679900		
033	266841-6	TAPPING SCREW 4X18		4		73181500		
034	319417-9	BASE		1		84679900		
035	210046-0	BALL BEARING 608ZZ		1		84821090		
036	161458-9	DRUM		1		84679900		
037	251482-1	HEX. SOCKET HEX. BOLT M6X17		6		73181500		
038	347024-8	DRUM PLATE		2		84679900		
039	265132-2	+ PAN HEAD SCREW M4X5		4		73181500		
040	345644-2	ADJUST PLATE		2		73182990		
043	210141-6	BALL BEARING 6000DDW		1		84821090		

