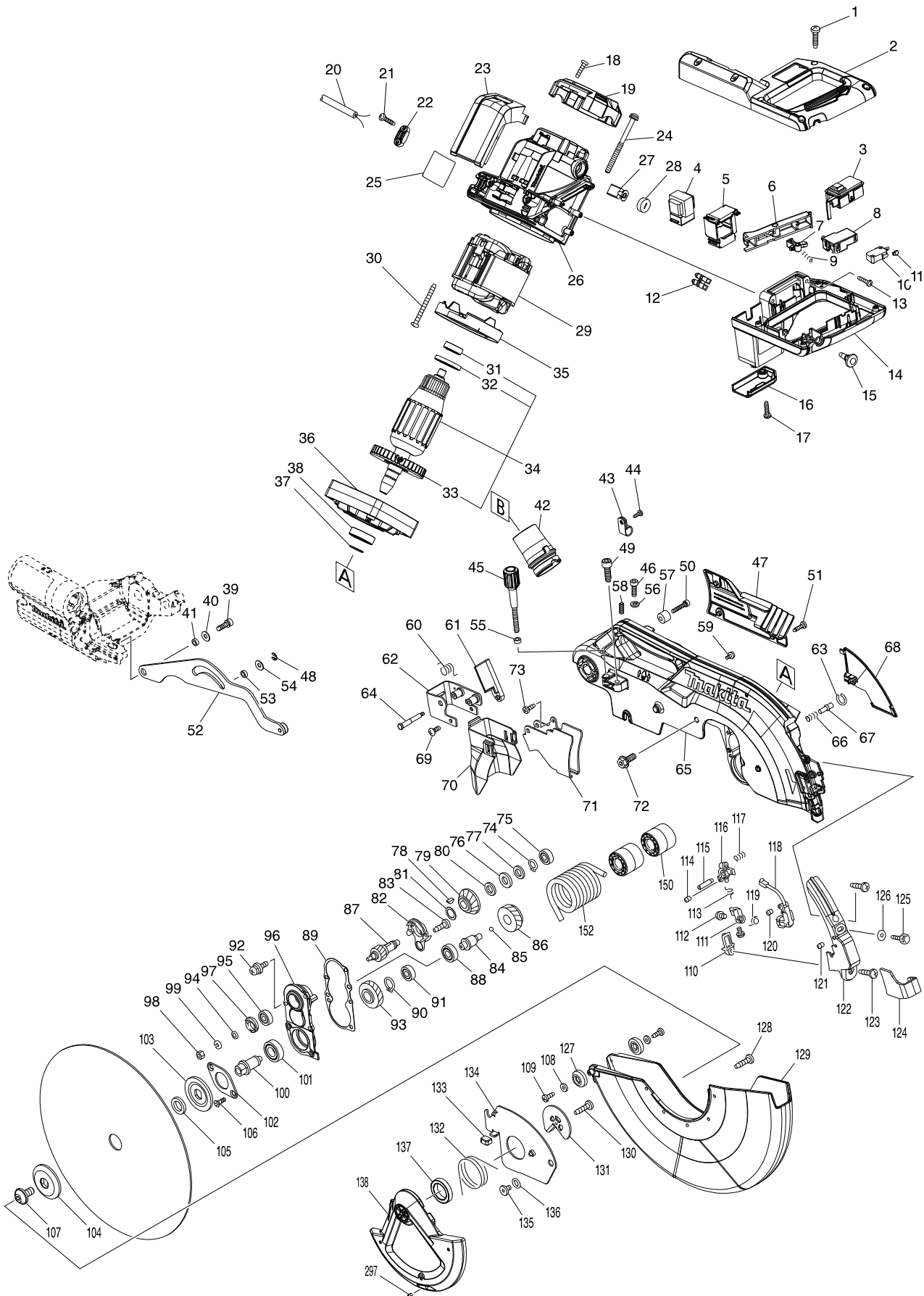
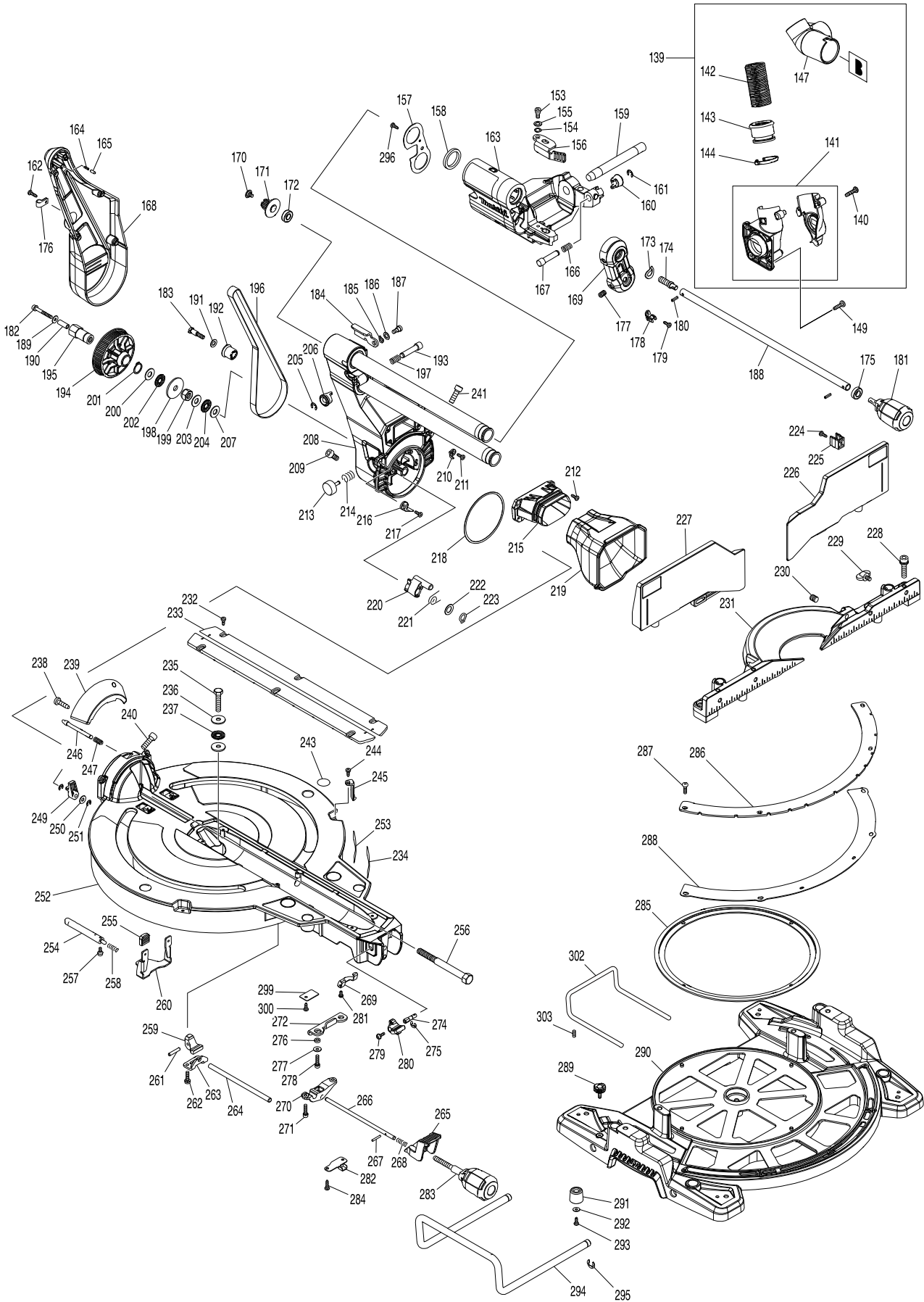


Model No. LS1219L 305MM SLIDE COMPOUND MITER SAW



Model No. LS1219L 305MM SLIDE COMPOUND MITER SAW



Model No. LS1219L 305MM SLIDE COMPOUND MITER SAW

Item	Parts No.	Description	I/C	QTY	N/O	Opt. 1	Opt. 2	NOTE
001	265995-6	TAPPING SCREW 4X18		6		73181500		
002	183H19-3	HANDLE SET		1		84679900		
C10	810486-8	CAUTION LABEL		1		39199090		
C20	808641-4	SWITCH INDICATION LABEL		1				
D10		INC. 14						
003	638652-3	LASER SWITCH UNIT		1		85366990		
004	631908-3	POWER SUPPLY CIRCUIT		1		84679900		
005	451412-4	CASE		1		84679900		
006	451003-1	SWITCH LEVER		1		39269099		
007	416356-5	LOCK-OFF LEVER		1		73182990		
008	650687-4	SWITCH TGC32B		1		85366990		
009	231026-3	COMPRESSION SPRING 4		1		73209090		
010	651941-9	SWITCH V-15-2A5		1		85366990		
011	686015-7	RECEPTACLE SLEEVE		2		73182990		
013	265995-6	TAPPING SCREW 4X18		4		73181500		
014	183H19-3	HANDLE SET		1		84679900		
C10	810486-8	CAUTION LABEL		1		39199090		
C20	808641-4	SWITCH INDICATION LABEL		1				
D10		INC. 2						
015	451037-4	SWITCH BUTTON		1		40169390		
016	451000-7	LEAD COVER HOLDER		1		84679900		
017	265995-6	TAPPING SCREW 4X18		1		73181500		
018	265995-6	TAPPING SCREW 4X18		2		73181500		
019	457652-2	REAR COVER		1		84679900		
020	665865-3	POWER SUPPLY CORD 1.0-2-2.5		1		85442090		
021	265995-6	TAPPING SCREW 4X18		2		73181500		
022	687124-5	STRAIN RELIEF		1		84679900		
023	631865-5	CONTROLLER		1		84679900		
024	911948-0	PAN HEAD SCREW M6X80 WITH WR		4		73181500		
025	854B49-2	LS1219L NAME PLATE		1				
026	144532-8	MOTOR HOUSING COMPLETE		1		84679900		
C10	643653-8	BRUSH HOLDER 6.5-13.5		2		82078000		
027	181044-0	CARBON BRUSH CB-153		1		85452000		
028	643650-4	BRUSH HOLDER CAP 6.5-13.5		2		40169390		
029	599536-9	FIELD ASSEMBLY 240V		1		85030090		
C10	654020-2	RING TERMINAL		2		73182990		
C20	654502-4	CONNECTOR P-2		2		73182990		
030	266329-6	TAPPING SCREW 5X60		2		73181500		
031	210067-2	BALL BEARING 6000ZZ		1		84821090		
032	681642-5	INSULATION WASHER		1		73182200		
033	240001-8	FAN 80		1		84145190		
034	517844-6	ARMATURE ASSEMBLY 240V		1		85030090		
D10		INC. 31-33						
035	451194-8	BAFFLE PLATE		1		84679900		
036	318471-0	MOTOR BRACKET		1		84679900		
037	961057-5	RETAINING RING S-17		1		73182990		
038	210301-0	BALL BEARING 6003DDW		1		84821090		
039	922331-6	HEX. SOCKET HEAD BOLT M6X20		1		73181500		

Item	Parts No.	Description	I/C	QTY	N/O	Opt. 1	Opt. 2	NOTE
040	253804-1	FLAT WASHER 6		1		84679900		
041	257163-5	RING 6		1	*	73182990		
041-1	257461-7	RING 6	X	1				
042	457704-9	DUST NOZZLE		1	*	40169390		
042-1	459250-8	DUST NOZZLE	S	1				
043	687042-7	STRAIN RELIEF		1		84679900		
044	266034-5	TAPPING SCREW CT 4X16		1		73181500		
045	251554-2	THUMB SCREW M6X40		1		73181500		
046	922332-4	HEX. SOCKET HEAD BOLT M6X20		1		73181500		
047	458146-0	LOGO PLATE		1		83100090		
048	961018-5	STOP RING E-5		1		73182990		
049	251547-9	HEX.SOCKET HEAD BOLT M8X25		1		73181500		
050	922251-4	HEX. SOCKET HEAD BOLT M5X30		1		73181500		
051	266034-5	TAPPING SCREW CT 4X16		3		73181500		
052	144929-1	LINK PLATE COMPLETE		1	*	73182990		
052-1	140J53-8	LINK PLATE COMPLETE	<	1				
053	257163-5	RING 6		1	*	73182990		
053-1	257461-7	RING 6	X	1				
054	253804-1	FLAT WASHER 6		1		84679900		
055	262001-8	URETHANE RING 5		1	*	73182990		
055-1	262190-9	URETHANE RING 5	<	1				
056	942151-2	SPRING WASHER 6		1		73182200		
057	257449-7	SLEEVE 6		1		73182990		
058	266321-2	H.S.SET SCREW(FLAT POINT)M6X16		1		73181500		
059	911114-9	PAN HEAD SCREW M4X10		2		73181500		
060	231675-6	TORSION SPRING 11		1	*	73209090		
060-1	232412-1	TORSION SPRING 11	X	1		73209090		
061	457764-1	DUST GUIDE PLATE		1		73182990		
062	161647-6	GUARD HOLDER		1		84679900		
063	231928-3	RING SPRING 8		1		73209090		
064	251544-5	SHOULDER HEX. BOLT M4		1		73181500		
065	144918-6	BLADE CASE COMPLETE		1	*			
C10	263005-3	RUBBER PIN 6		3	*	40169390		
C20	810064-4	LASER BEAM CAUTION LABEL		1	*			
C30	810354-5	LASER BEAM LABEL		1	*			
065-1	140F83-5	BLADE CASE COMPLETE	<	1		73182990		
C10	263005-3	RUBBER PIN 6		3		40169390		
C20	810064-4	LASER BEAM CAUTION LABEL		1				
C30	810354-5	LASER BEAM LABEL		1				
066	231240-1	COMPRESSION SPRING 7		1		73209090		
067	256633-1	PIN 6		1		73182990		
068	458148-6	LEAD COVER		1		73262090		
069	265028-7	+ PAN HEAD SCREW M4X11		1				
070	422235-7	GUARD		1		73262090		
071	347308-4	GUARD PLATE		1		73262090		
072	266283-4	HEX. SOCKET HEX. BOLT M8X20		1				
073	266020-6	TAPPING SCREW 4X12		1		73181500		
074	961052-5	RETAINING RING S-12		1		73182990		

Item	Parts No.	Description	I/C	QTY	N/O	Opt. 1	Opt. 2	NOTE
075	210005-4	BALL BEARING 608DDW		1		84821090		
076	261104-5	RUBBER WASHER 12		1		73182990		
077	253744-3	FLAT WASHER 12		1		84679900		
078	254001-2	WOODRUFF KEY 4		1		84679900		
079	227550-2	SPIRAL BEVEL GEAR 32		1		84679900		
080	253744-3	FLAT WASHER 12		1		84679900		
081	253313-0	THIN WASHER 14		1		84679900		
082	451002-3	GREASE HOLDER		1		84679900		
083	266026-4	TAPPING SCREW BIND CT 4X12		2		73181500		
084	325643-0	GEAR SHAFT		1		84831099		
085	216024-8	STEEL BALL 4		1	*	73182990		
085-1	216049-2	STEEL BALL 4	O	1				
086	227702-5	HELICAL GEAR 27		1		84679900		
087	227701-7	HELICAL GEAR 14		1		84679900		
088	210067-2	BALL BEARING 6000ZZ		1		84821090		
089	442147-8	GASKET		1		40169390		
090	961055-9	RETAINING RING S-15		1		73182990		
091	210005-4	BALL BEARING 608DDW		1		84821090		
092	911223-4	PAN HEAD SCREW M5X16		3		73181500		
093	227703-3	HELICAL GEAR 28		1		84679900		
094	267010-2	FLAT WASHER 5		1		73182200		
095	210005-4	BALL BEARING 608DDW		1		84821090		
096	158957-0	BEARING BOX COMPLETE		1		84833000		
C10	263002-9	RUBBER PIN 4		1		40169390		
097	285847-5	BEARING RETAINER 14-23		1		84679900		
098	931202-6	HEX. NUT M5		1		73181500		
099	942101-7	SPRING WASHER 5		1		73182200		
100	325644-8	SPINDLE		1		84679900		
101	211236-8	BALL BEARING 6002DDW		1		84821090		
102	285732-2	BEARING RETAINER 51		1		84679900		
103	224431-1	INNER FLANGE 53		1		73182990		
104	224432-9	OUTER FLANGE 53		1		73182990		
105	257060-5	RING 15.8		1		73182990		
106	265034-2	+ COUNTERSUNK HEAD SCREW M5X		2		73181500		
107	266755-9	HEX.SOCKET HEAD BOLT M10X20		1				
108	941051-3	FLAT WASHER 4		2		73182200		
109	266020-6	TAPPING SCREW 4X12		2		73181500		
110	418104-8	LENS		1		90029000		
111	419378-4	BLOCK B		1		84679900		
112	911003-8	PAN HEAD SCREW M3X6		2		73181500		
113	231664-1	TORSION SPRING 9		1		73209090		
114	266318-1	H.S.SET SCREW(FLAT POINT)M4X6		1		73181500		
115	266306-8	SHOULDER SCREW M5		1		73181500		
116	419379-2	BLOCK C		1		84679900		
117	233471-8	COMPRESSION SPRING 6		1		73209090		
118	638651-5	LASER CIRCUIT COMPLETE		1		84679900		
119	231664-1	TORSION SPRING 9		1		73209090		
120	266318-1	H.S.SET SCREW(FLAT POINT)M4X6		1		73181500		

Item	Parts No.	Description	I/C	QTY	N/O	Opt. 1	Opt. 2	NOTE
121	266229-0	H.S.SET SCREW(CUP POINT)M5X8		2		73181500		
122	451195-6	LASER COVER		1	*	84679900		
122-1	458903-6	LASER COVER	<	1				
123	266034-5	TAPPING SCREW CT 4X16		2		73181500		
124	457664-5	PROTECTOR		1		73182990		
125	265753-0	THUMB SCREW M5X24		1		73181500		
126	253807-5	FLAT WASHER 5		1	*	84679900		
126-1	267066-5	FLAT WASHER 5	X	1				
127	424193-3	ROLLER		2		84679900		
128	266385-6	TAPPING SCREW 4X14		3		73181500		
129	458144-4	SAFETY COVER B		1		84679900		
130	266385-6	TAPPING SCREW 4X14		1		73181500		
131	347213-5	CENTER PLATE		1		73182990		
132	231634-0	TORSION SPRING 45		1		73209090		
133	424190-9	CUSHION		1		40169390		
134	347214-3	CENTER COVER		1		84679900		
135	265985-9	HEX.SOCKET HEAD BOLT M6		1		73181500		
136	253932-2	WAVE WASHER 10		1		84679900		
137	210168-6	BALL BEARING 6805DDW		1		84821090		
138	458437-9	SAFETY COVER A		1				
139	126792-4	DUST NOZZLE ASS'Y		1	*	84679900		
D10		INC. 140-144,147			*			
139-1	127274-9	DUST NOZZLE ASSEMBLY	S	1				
C10	458939-5	BUTTON A	S	1				
C20	232485-4	COMPRESSION SPRING 5	S	1				
D10		INC. 140-144,147						
140	265995-6	TAPPING SCREW 4X18		3		73181500		
141	183H71-1	HOSE CONNECTOR SET		1		85369090		
142	245048-7	HOSE 28-0.5		1		40169390		
143	457672-6	SLEEVE		1		73182990		
144	457673-4	STOPPER		1		73182990		
147	458198-1	HOSE JOINT		1	*	39269099		
147-1	459249-3	HOSE JOINT	S	1				
149	266034-5	TAPPING SCREW CT 4X16		3		73181500		
150	458149-4	SLEEVE 17		2		73182990		
152	233542-1	TORSION SPRING 40		1		73209090		
153	251267-5	+ PAN HEAD SCREW M6		1		73181500		
154	253948-7	WAVE WASHER 8		1		84679900		
155	253835-0	FLAT WASHER 8		1		84679900		
156	347221-6	STOPPER ARM		1		73182990		
157	347222-4	FRONT ARM PLATE		1		73182990		
158	262076-7	FELT RING 30		2				
159	326994-4	ROD 16		1		73182990		
160	271437-0	KNOB 22		1		40169390		
161	961013-5	STOP RING E-7		1		73182990		
162	266034-5	TAPPING SCREW CT 4X16		4		73181500		
163	144912-8	FRONT ARM COMPLETE		1		84679900		
C10	263005-3	RUBBER PIN 6		2		40169390		

Item	Parts No.	Description	I/C	QTY	N/O	Opt. 1	Opt. 2	NOTE
164	233151-6	COMPRESSION SPRING 4		1	73209090			
165	256364-2	PIN 4		1	73182990			
166	232384-0	COMPRESSION SPRING 10		1	73209090			
167	326977-4	STOPPER PIN		1	73182990			
168	458145-2	ARM COVER		1	84679900			
169	144658-6	HOLDER COMPLETE		1	82078000			
C10	812X89-8	INDICATION LABEL		1				
170	265008-3	+ FLAT HEAD SCREW M5		1	73181500			
171	222191-9	PULLEY 17-19.3		1	84679900			
172	210167-8	BALL BEARING 6900LLB		1	84821090			
173	267804-5	WAVE WASHER 15		1	73182200			
174	326975-8	SHAFT		1	84831099			
175	210167-8	BALL BEARING 6900LLB		1	84821090			
176	687042-7	STRAIN RELIEF		1	84679900			
177	913416-9	SET SCREW M8X12		2	73181500			
178	416536-3	WRENCH HOLDER		1				
179	266026-4	TAPPING SCREW BIND CT 4X12		1	73181500			
180	951107-4	SPRING PIN 4-14		2				
181	273016-0	GRIP 50 B		1	40169390			
182	266440-4	HEX SOCKET HEAD BOLT M5X40		1	73181500			
183	251545-3	SHOULDER HEX. BOLT M6		1	73181500			
184	144930-6	STOP LEVER COMPLETE		1	73182990			
C10	812X87-2	INDICATION LABEL		1				
185	253948-7	WAVE WASHER 8		1	84679900			
186	253835-0	FLAT WASHER 8		1	84679900			
187	251267-5	+ PAN HEAD SCREW M6		1	73181500			
188	327054-5	PIN 9-418		1	73182990			
189	253194-2	FLAT WASHER 5		1	84679900			
190	257436-6	SLEEVE 5		1	73181500			
191	253165-9	FLAT WASHER 8		1	84679900			
192	457666-1	SLEEVE 20		1	73182990			
193	326977-4	STOPPER PIN		1	73182990			
194	222192-7	PULLEY 17-87.8		1	84679900			
195	327053-7	HEX. NUT M10-19		1	73181600			
196	225102-3	SYNCHRO BELT 15-810		1	40169390			
197	232384-0	COMPRESSION SPRING 10		1	73209090			
198	253388-9	FLAT WASHER 10		1	84679900			
199	252244-0	HEX.LOCK NUT M10-17		1	73181500			
200	253024-7	FLAT WASHER 10		1	84679900			
201	961057-5	RETAINING RING S-17		1	73182990			
202	216413-7	THRUST NEEDLE CAGE 1024		1	73182200			
203	253024-7	FLAT WASHER 10		1	84679900			
204	216413-7	THRUST NEEDLE CAGE 1024		1	73182200			
205	961013-5	STOP RING E-7		1	73182990			
206	271437-0	KNOB 22		1	40169390			
207	253024-7	FLAT WASHER 10		1	84679900			
208	144911-0	ARM COMPLETE		1	84679900			
C10	812X88-0	INDICATION LABEL		1				

Item	Parts No.	Description	I/C	QTY	N/O	Opt. 1	Opt. 2	NOTE
209	251547-9	HEX.SOCKET HEAD BOLT M8X25		1		73181500		
210	458151-7	INDICATION PLATE R		1		83100090		
211	266026-4	TAPPING SCREW BIND CT 4X12		1		73181500		
212	266034-5	TAPPING SCREW CT 4X16		4		73181500		
213	415208-7	RELEASE BUTTON		1		84679900		
214	233031-6	COMPRESSION SPRING 12		1		73209090		
215	457654-8	DUST GUIDE HOLDER		1		84679900		
216	458150-9	INDICATION PLATE L		1				
217	266026-4	TAPPING SCREW BIND CT 4X12		1		73181500		
218	253389-7	WASHER 94		1		84679900		
219	422229-2	DUST GUIDE		1		84679900		
220	319593-9	STOPPER		1		84679900		
221	231646-3	TORSION SPRING 14		1		73209090		
222	253744-3	FLAT WASHER 12		1		84679900		
223	961052-5	RETAINING RING S-12		1		73182990		
224	266026-4	TAPPING SCREW BIND CT 4X12		2		73181500		
225	457668-7	HOLDER		2		82078000		
226	144925-9	UPPER FENCE R COMPLETE		1				
C10	810503-4	CAUTION LABEL		1		39199090		
227	144922-5	UPPER FENCE L COMPLETE		1				
C10	810503-4	CAUTION LABEL		1		39199090		
228	922458-2	H.S.H.BOLT M8X35 WITH WR		4		73181500		
229	251887-5	SCREW M6X10		2		73181500		
230	251561-5	H.SOCKET HEAD SET SCREW M10X1.		2		73181500		
231	319565-4	GUIDE FENCE		1		84679900		
232	266026-4	TAPPING SCREW BIND CT 4X12		6		73181500		
233	451201-7	KERF BOARD		2		84679900		
235	265442-7	HEX. BOLT M8X40		1		73181500		
236	253852-0	FLAT WASHER 8		2		84679900		
237	216413-7	THRUST NEEDLE CAGE 1024		1		73182200		
238	266385-6	TAPPING SCREW 4X14		2		73181500		
239	458147-8	BEVEL SCALE PLATE		1		73262090		
240	251547-9	HEX.SOCKET HEAD BOLT M8X25		1		73181500		
241	251547-9	HEX.SOCKET HEAD BOLT M8X25		1		73181500		
243	813L22-1	CAUTION LABEL		2				
244	266026-4	TAPPING SCREW BIND CT 4X12		2		73181500		
245	457702-3	INDICATION PLATE		2		73182990		
246	326970-8	LOCK PIN 8		1		73182990		
247	234122-6	COMPRESSION SPRING 6		1		73209090		
249	457657-2	LEVER 25		1		73182990		
250	253804-1	FLAT WASHER 6		1		84679900		
251	961018-5	STOP RING E-5		2		73182990		
252	144928-3	TURN BASE COMPLETE		1		84679900		
D10		INC. 243,253						
253	812X85-6	CAUTION LABEL		1				
254	326973-2	ROD 12		1		73182990		
255	286039-9	CAP		2		39269099		
256	326976-6	CENTER SHAFT		1		84831099		

Item	Parts No.	Description	I/C	QTY	N/O	Opt. 1	Opt. 2	NOTE
257	911113-1	PAN HEAD SCREW M4X10 WITH WR		2		73181500		
258	231325-3	COMPRESSION SPRING 6		1		73209090		
259	310803-7	TURN STOPPER		1		84679900		
260	347217-7	LEVER PLATE		1		73182990		
261	256186-0	PIN 5		1		73182990		
262	911231-5	PAN HEAD SCREW M5X20		2		73181500		
263	347219-3	STOPPER HOLDER		1		82078000		
264	327052-9	LOCK ROD		1		73182990		
265	457656-4	LOCK LEVER		1		84679900		
266	327051-1	LOCK PIN 6		1		73182990		
267	256158-5	PIN 3		1		73182990		
268	231325-3	COMPRESSION SPRING 6		1		73209090		
269	347237-1	CAM PLATE		1		73182990		
270	319592-1	PIN HOLDER		1		82078000		
271	922231-0	HEX. SOCKET HEAD BOLT M5X20		2		73181500		
272	347216-9	LOCK PLATE		1		73182990		
274	326972-4	ROD 6		1		73182990		
275	961011-9	STOP RING E-4		1		73182990		
276	257425-1	RING 5		2		73182990		
277	253194-2	FLAT WASHER 5		2		84679900		
278	922231-0	HEX. SOCKET HEAD BOLT M5X20		2		73181500		
279	911113-1	PAN HEAD SCREW M4X10 WITH WR		1		73181500		
280	144656-0	LEVER 25 COMPLETE		1		82079090		
C10	263005-3	RUBBER PIN 6		1		40169390		
281	911008-8	PAN HEAD SCREW M3X8		1		73181500		
282	345272-3	LOCK LEVER PLATE		1		73182990		
283	273015-2	GRIP 50A		1		40169390		
284	266026-4	TAPPING SCREW BIND CT 4X12		2		73181500		
285	457655-6	SLIDE PLATE		1		73182990		
286	347223-2	MITER SCALE PLATE		1	*	84679900		
286-1	347412-9	MITER SCALE PLATE	<	1				
287	251546-1	+ PAN HEAD SCREW M5		4		73181500		
288	347218-5	MITER LOCK PLATE		1		84679900		
289	265786-5	SCREW M5X16		2		73181500		
290	310891-4	BASE		1		84679900		
291	421845-7	FOOT		4		84679900		
292	267195-4	FLAT WASHER 4		4		73182200		
293	266026-4	TAPPING SCREW BIND CT 4X12		4		73181500		
294	327095-1	HOLDER 200		2	*	82078000		
295	961015-1	STOP RING E-9		2		73182990		
296	266026-4	TAPPING SCREW BIND CT 4X12		1		73181500		
297	266318-1	H.S.SET SCREW(FLAT POINT)M4X6		1		73181500		
299	232249-6	LEAF SPRING		1		73209090		
300	266026-4	TAPPING SCREW BIND CT 4X12		1		73181500		
302	327145-2	HOLDER 90		1		82078000		
303	266213-5	H.S.SET SCREW(FLAT POINT)M5X12		1				
304	232249-6	LEAF SPRING		1		73209090		
305	319815-7	SUB BASE	S	2				

