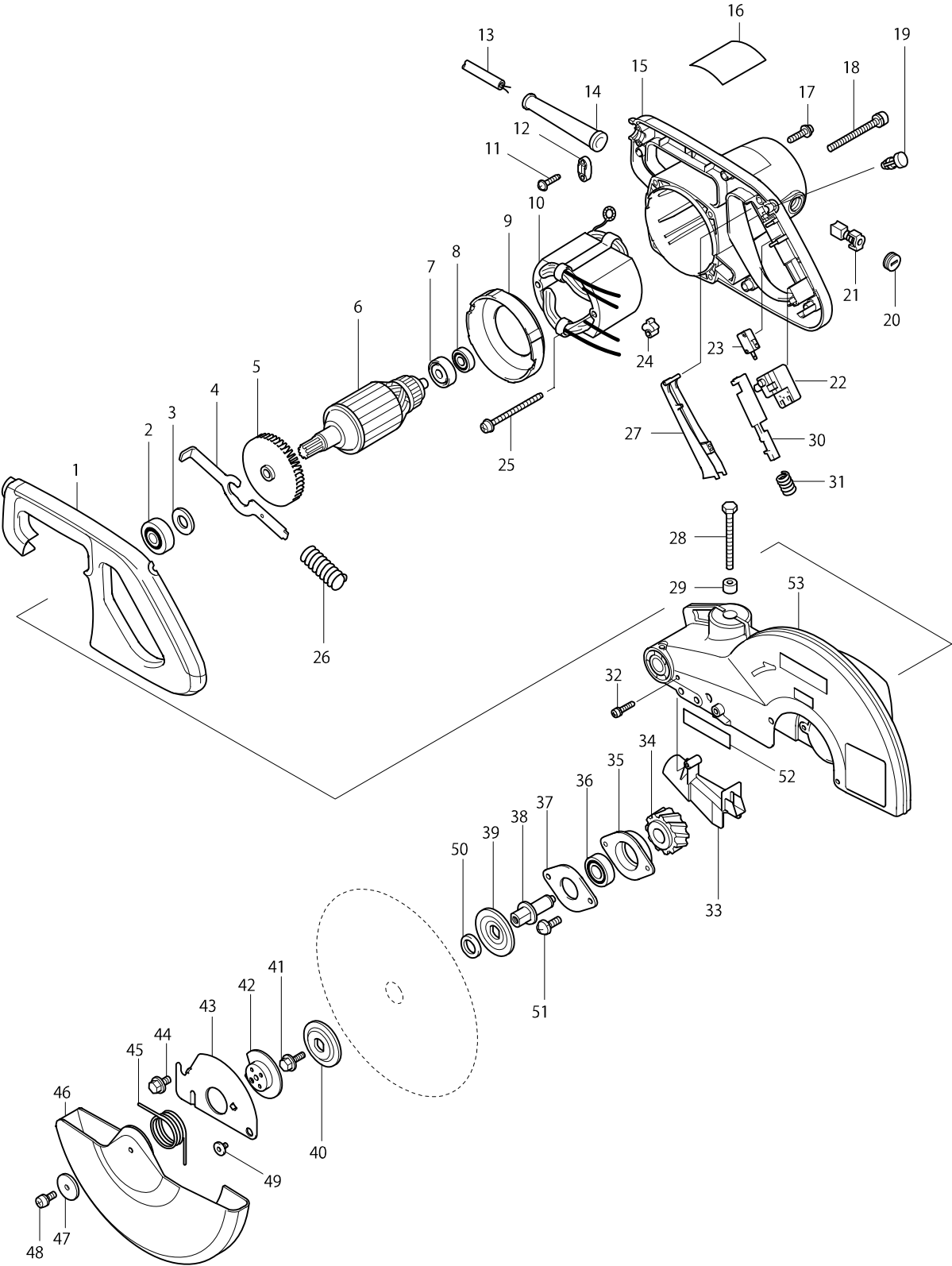
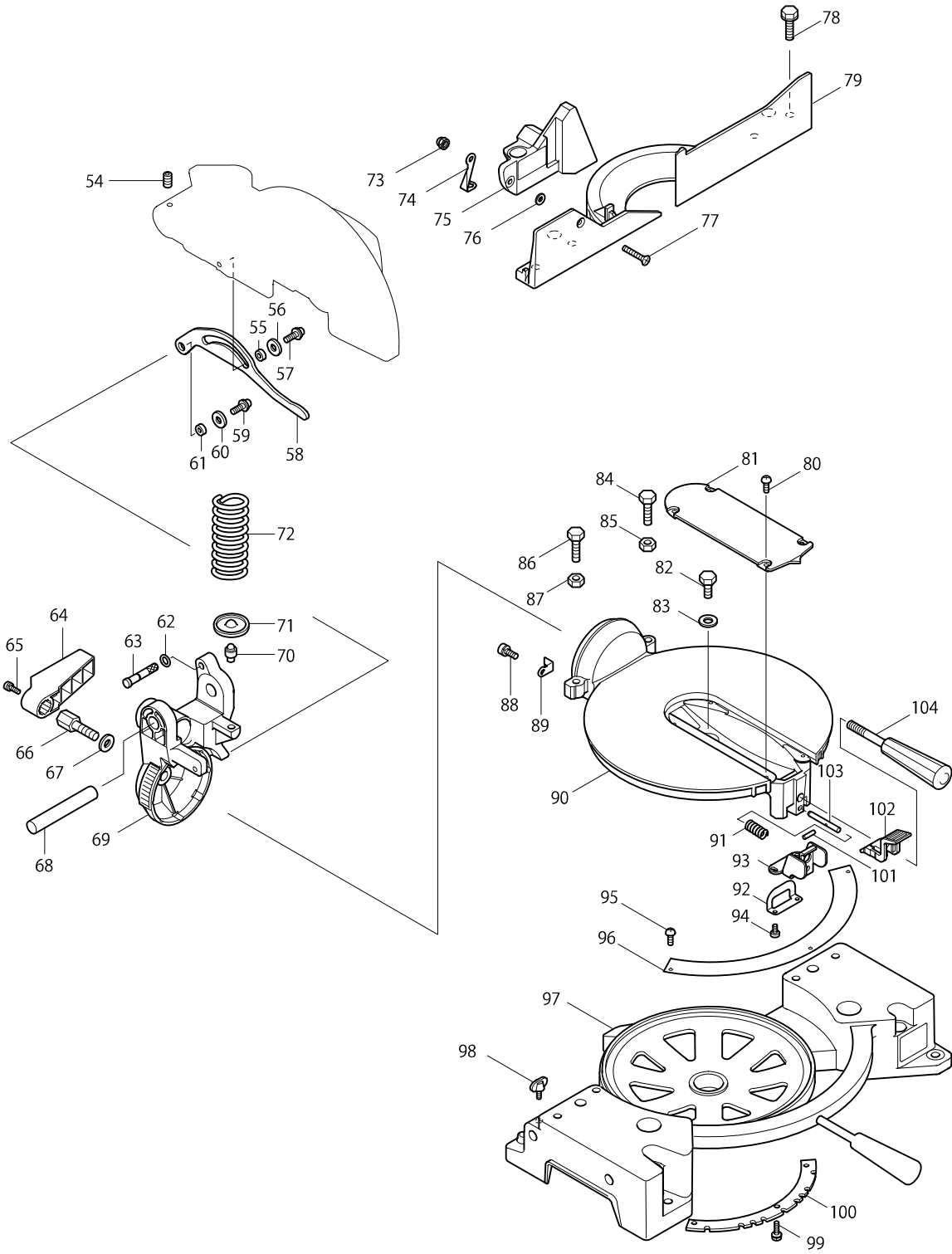


Model No. LS1045 MITER SAW 255MM



Model No. LS1045 MITER SAW 255MM



# Model No. LS1045 MITER SAW 255MM

Item	Parts No.	Description	I/C	QTY	N/O	Opt. 1	Opt. 2	NOTE
001	416004-6	HANDLE COVER		1	*	84679900		
001-1	458787-2	HANDLE COVER	<	1				
002	211206-7	BALL BEARING 6202LLB		1		84821090		
003-1	267280-3	FLAT WASHER 15		1		73182200		
004	343641-2	SHAFT LOCK		1		73182990		
005	241909-9	FAN 80		1		84145190		
006	516718-8	ARMATURE ASS'Y 220V		1		85030090		
D10		INC. 2,3,5,7,8						
007	681640-9	INSULATION WASHER		1		73182200		
008	211061-7	BALL BEARING 6000LLB		1		84821090		
009	416442-2	BAFFLE PLATE		1		84679900		
010A_	526068-3	FIELD ASS'Y 220-240V		1		85030090		
C10	654020-2	RING TERMINAL		1		73182990		
C20	654502-4	CONNECTOR P-2		1		73182990		
011	265995-6	TAPPING SCREW 4X18		2		73181500		
012B1	687052-4	STRAIN RELIEF		1	*	84679900		
012B2	687124-5	STRAIN RELIEF	O	1		84679900		
013	665865-3	POWER SUPPLY CORD 1.0-2-2.5		1		85442090		
014A_	682540-6	CORD GUARD 9.3-90		1		73182990		
015-1	153792-1	MOTOR HOUSING COMPLETE		1		84679900		
C10	643653-8	BRUSH HOLDER 6.5-13.5		2	*	82078000		
C11	643536-2	BRUSH HOLDER 6.5X13.5	O	2				
C20	817880-5	CAUTION LABEL		1		83100090		
016	859544-5	NAME PLATE LS1045		1				
017	265995-6	TAPPING SCREW 4X18		5		73181500		
018	911383-2	PAN HEAD SCREW M6X60		4		73181500		
019	411478-6	SWITCH BUTTON		1		39269099		
020	643650-4	BRUSH HOLDER CAP 6.5-13.5		2	*	40169390		
020-1	643650-4	BRUSH HOLDER CAP 6.5-13.5	O	2		40169390		
021A_	181044-0	CARBON BRUSH CB-153		1		85452000		
022	651923-1	SWITCH TG70B		1		85366990		
023	651941-9	SWITCH V-15-2A5		1		85366990		
024	414546-4	CAM		1		84839000		
025	266029-8	TAPPING SCREW 5X65		2		73181500		
026	231297-2	COMPRESSION SPRING 9		1		73209090		
027	415999-0	SWITCH LEVER		1		39269099		
028	251667-9	HEX. BOLT M8X75		1		73181500		
029	262511-5	RUBBER SLEEVE 6		1		73182990		
030	416000-4	LOCK OFF LEVER		1		39269099		
031	231457-6	COMPRESSION SPRING 3		1		73209090		
032	265995-6	TAPPING SCREW 4X18		1		73181500		
033	416007-0	GUIDE COVER		1	*	84679900		
033-1	453695-2	GUIDE COVER	<	1		84679900		
034	226465-0	HELICAL GEAR 42		1		84834000		
035	316821-3	BEARING BOX		1		84833000		
036	211256-2	BALL BEARING 6203LLB		1		84821090		
037	285685-5	BEARING RETAINER 64		1		84679900		
038	322865-3	SPINDLE		1		84679900		

Item	Parts No.	Description	I/C	QTY	N/O	Opt. 1	Opt. 2	NOTE
039	224333-1	FLANGE 53		1		73182990		
040	224333-1	FLANGE 53		1		73182990		
041	265355-2	HEX. FLANGE HEAD BOLT M8X20		1		73181500		
042	343639-9	CENTER PLATE		1		73182990		
043	344380-7	CENTER COVER		1		73182990		
044	265324-3	HEX. FLANGE HEAD BOLT M8X12		1		73181500		
045	231593-8	TORSION SPRING 36		1		73209090		
046	416003-8	SAFETY COVER		1		84679900		
047	267136-0	FLAT WASHER 5		1		73182200		
048	911213-7	PAN HEAD SCREW M5X12		1	*	73181500		
048-1	922211-6	HEX. SOCKET HEAD BOLT M5X12	<	1		73181500		
049	265985-9	HEX.SOCKET HEAD BOLT M6		1		73181500		
050A_	257060-5	RING 15.8		1		73182990		
051	911223-4	PAN HEAD SCREW M5X16		2		73181500		
053-3	188324-5	BLADE CASE SET		1	*	84679900		
C10	263005-3	RUBBER PIN 6		1	*	40169390		
C20	816847-0	OPERATIONAL INDICATION LABEL		1	*			
C30	817829-5	CAUTION LABEL		1	*	83100090		
C40	819214-8	MAKITA LOGO LABEL		1	*			
053-4	140648-7	BLADE CASE COMPLETE	O	1		84679900		
C10	816847-0	OPERATIONAL INDICATION LABEL		1				
C20	891309-9	CAUTION LABEL		1				
C30	263005-3	RUBBER PIN 6		1		40169390		
054	251961-9	H.S.SET SCREW(FLAT POINT)M6X10		1		73181500		
055	257162-7	RING 7		1		73182990		
056	253823-7	FLAT WASHER 7		1		84679900		
057	265984-1	HEX.SOCKET BUTTON HEAD BOLT M		1		73181500		
058	344377-6	LINK PLATE		1		73182990		
059	265984-1	HEX.SOCKET BUTTON HEAD BOLT M		1		73181500		
060	253823-7	FLAT WASHER 7		1		84679900		
061	257162-7	RING 7		1		73182990		
062	213021-5	O RING 5		1		40169320		
063	322317-4	STOPPER PIN		1		73182990		
064	416006-2	LEVER 100		1		84679900		
065	911113-1	PAN HEAD SCREW M4X10 WITH WR		1		73181500		
066	265437-0	HEX. BOLT M10		1		73181500		
067	253024-7	FLAT WASHER 10		1		84679900		
068	256836-7	ROD 16		1		73182990		
069-2	154463-3	ARM COMPLETE		1		84679900		
070	256280-8	PIN 8		1		73182990		
071	344464-1	SPRING HOLDER		1		82078000		
072	233152-4	COMPRESSION SPRING 28		1		73209090		
073	252014-7	HEX. LOCK NUT M6-10		1		73181500		
074	344476-4	SUB FENCE PLATE		1		73182990		
075-1	150662-5	SUB FENCE COMPLETE		1		84679900		
C10	810857-9	CAUTION LABEL		1		39199090		
076	253715-0	FLAT WASHER 6		1		84679900		
077	912342-9	COUNTERSUNK HEAD SCREW M6X25		1		73181500		

Item	Parts No.	Description	I/C	QTY	N/O	Opt. 1	Opt. 2	NOTE
078-1	265488-3	HEX. BOLT M8X30		4		73181500		
079-1	316826-3	GUIDE RULE		1	*	84679900		
079-2	318847-1	GUIDE RULE	<	1		84679900		
080	251314-2	+ SCREW M4X12		4		73181500		
081	416451-1	KERF BOARD		1		84679900		
082	265412-6	HEX. BOLT M8X20		1		73181500		
083	253762-1	FLAT WASHER 8		1		84679900		
084	921452-1	HEX. BOLT M8X30		1		73181500		
085	931402-8	HEX. NUT M8		1		73181500		
086	921452-1	HEX. BOLT M8X30		1		73181500		
087	931402-8	HEX. NUT M8		1		73181500		
088	911113-1	PAN HEAD SCREW M4X10 WITH WR		1		73181500		
089	344385-7	POINTER		1		73182990		
090-1	310058-4	TURN BASE		1		84679900		
091	231402-1	COMPRESSION SPRING 7		1		73209090		
092	344602-5	SUPPORT PLATE		1	*	73182200		
092-1	344601-7	LOCK PLATE	X	1		73182200		
093	344601-7	LOCK PLATE		1	*	73182200		
093-1	344602-5	SUPPORT PLATE	X	1		73182200		
094	911113-1	PAN HEAD SCREW M4X10 WITH WR		2		73181500		
095	251314-2	+ SCREW M4X12		3		73181500		
096	816775-9	MITER SCALE PLATE		1		83100090		
097-1	150894-4	BASE COMPLETE		1		84679900		
C10	817283-3	CAUTION LABEL		1		83100090		
C20	817837-6	CAUTION LABEL		1		83100090		
098	251887-5	SCREW M6X10		2		73181500		
099	911213-7	PAN HEAD SCREW M5X12		3		73181500		
100	344603-3	STOPPER PLATE		1		73182200		
101	256158-5	PIN 3		1		73182990		
102	416450-3	LOCK LEVER		1		73182990		
103	323741-4	LOCK PIN		1		73182990		
104	273495-2	GRIP 32		1		40169390		
A01	762001-3	TRIANGULAR RULE		1		82031000		
A02	782212-4	SOCKET WRENCH 13		1		82041120		
A03	122523-9	DUST BAG ASS'Y		1	*	39269099		
A03-1	122852-0	DUST BAG ASS'Y	O	1		39269099		
A04	322602-5	HOLDER		2				
A05	341912-1	NUT HOLDER		1		73182990		
A06	911216-1	PAN HEAD SCREW M5X14		1		73181500		
A07	342967-9	SET PLATE		1		73182990		
A08	341911-3	PROTECTOR		2		73182990		
A09	321490-7	RELEASE NUT R		1		73181600		
A10	321491-5	RELEASE NUT L		1		73181600		
A11-1	122563-7	WISE ASS'Y		1		84679900		
C10	151201-4	WISE ARM COMPLETE		1		84679900		
D10		INC. A05-A10,A12-A16						
A12	271275-0	KNOB 45		1		40169390		
A13	911317-5	PAN HEAD SCREW M6X14		1		73181500		

