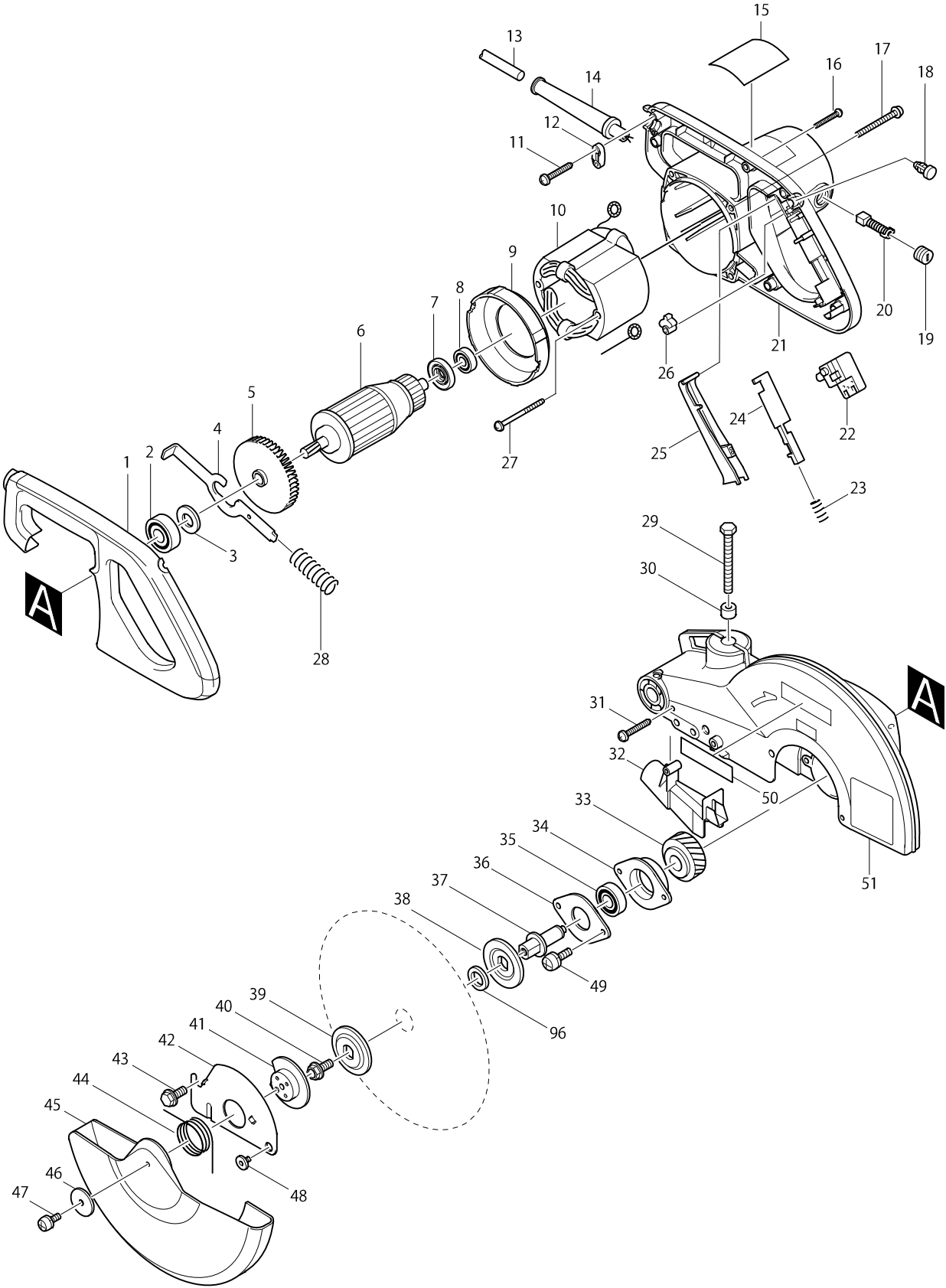
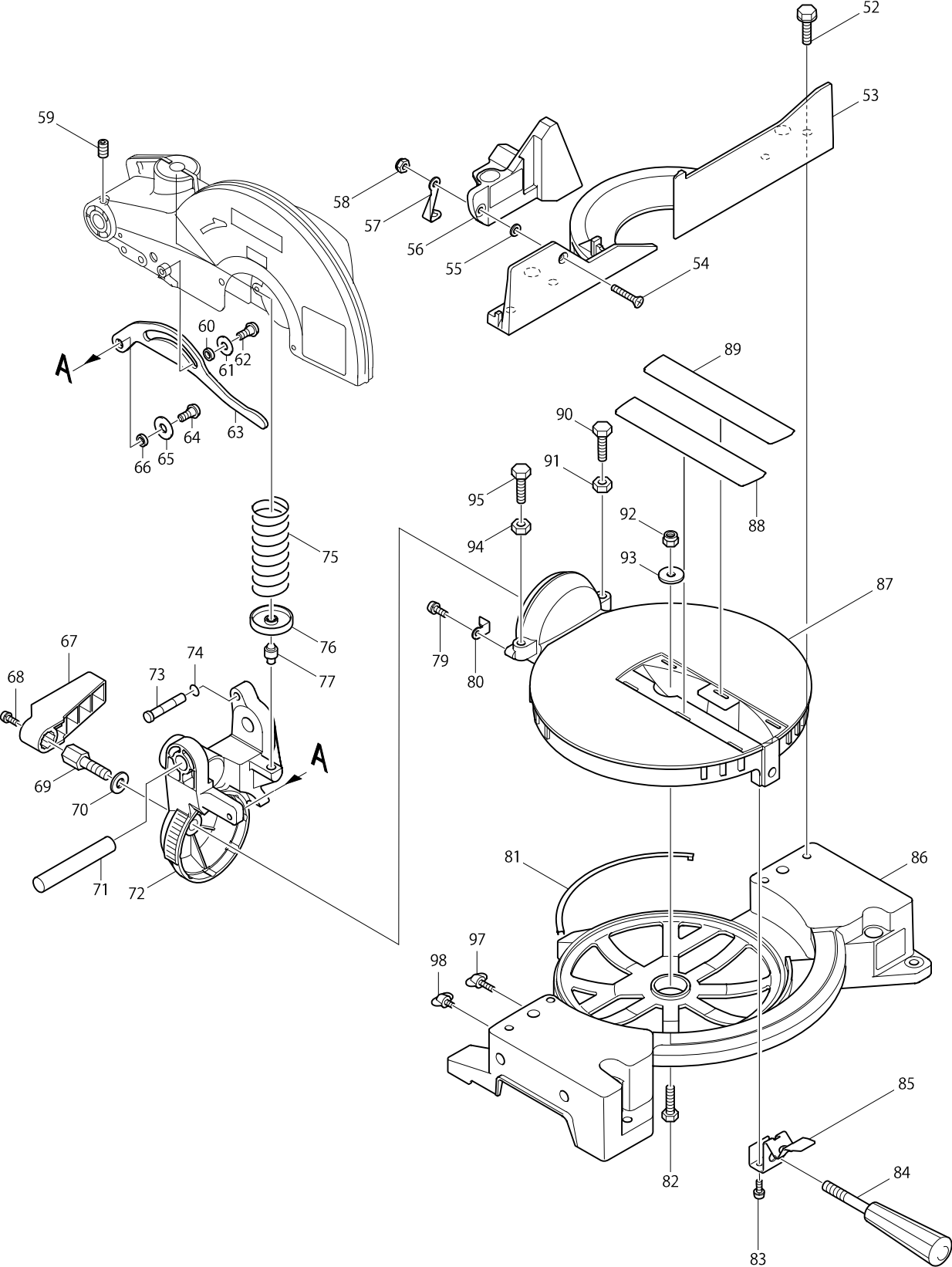


Model No. LS1040 MITER SAW 255MM



Model No. LS1040 MITER SAW 255MM



Item	Parts No.	Description	I/C	QTY	N/O	Opt. 1	Opt. 2	NOTE
001	416004-6	HANDLE COVER		1	*	84679900		
001-1	458787-2	HANDLE COVER	<	1				
002	211206-7	BALL BEARING 6202LLB		1		84821090		
003-1	267280-3	FLAT WASHER 15		1		73182200		
004	343641-2	SHAFT LOCK		1		73182990		
005	241909-9	FAN 80		1		84145190		
006B_	516719-6	ARMATURE ASS'Y 240V		1		85030090		
D10		INC. 2,3,5,7,8						
007	681640-9	INSULATION WASHER		1		73182200		
008	211061-7	BALL BEARING 6000LLB		1		84821090		
009A_	416442-2	BAFFLE PLATE		1		84679900		
010B_	526068-3	FIELD ASS'Y 220-240V		1		85030090		
C10	654020-2	RING TERMINAL		1		73182990		
C20	654502-4	CONNECTOR P-2		1		73182990		
011	265995-6	TAPPING SCREW 4X18		2		73181500		
012C1	687052-4	STRAIN RELIEF		1	*	84679900		
012C2	687124-5	STRAIN RELIEF	O	1		84679900		
013	665865-3	POWER SUPPLY CORD 1.0-2-2.5		1		85442090		
014B_	682540-6	CORD GUARD 9.3-90		1		73182990		
015A2	851559-8	NAME PLATE LS1040		1				
016	265995-6	TAPPING SCREW 4X18		5		73181500		
017	911383-2	PAN HEAD SCREW M6X60		4		73181500		
018	411478-6	SWITCH BUTTON		1		39269099		
019	643650-4	BRUSH HOLDER CAP 6.5-13.5		2	*	40169390		
019-1	643650-4	BRUSH HOLDER CAP 6.5-13.5	O	2		40169390		
020A_	181044-0	CARBON BRUSH CB-153		1		85452000		
021B1	153792-1	MOTOR HOUSING COMPLETE		1		84679900		
C10	817880-5	CAUTION LABEL		1		83100090		
C20	643653-8	BRUSH HOLDER 6.5-13.5		2	*	82078000		
C21	643536-2	BRUSH HOLDER 6.5X13.5	O	2				
022	651923-1	SWITCH TG70B		1		85366990		
023	231457-6	COMPRESSION SPRING 3		1		73209090		
024	416000-4	LOCK OFF LEVER		1		39269099		
025	415999-0	SWITCH LEVER		1		39269099		
026	414546-4	CAM		1		84839000		
027	266029-8	TAPPING SCREW 5X65		2		73181500		
028	231297-2	COMPRESSION SPRING 9		1		73209090		
029	251667-9	HEX. BOLT M8X75		1		73181500		
030	262511-5	RUBBER SLEEVE 6		1		73182990		
031	265995-6	TAPPING SCREW 4X18		1		73181500		
032	416007-0	GUIDE COVER		1	*	84679900		
032-1	453695-2	GUIDE COVER	<	1		84679900		
033	226465-0	HELICAL GEAR 42		1		84834000		
034	316821-3	BEARING BOX		1		84833000		
035	211256-2	BALL BEARING 6203LLB		1		84821090		
036	285685-5	BEARING RETAINER 64		1		84679900		
037	322865-3	SPINDLE		1		84679900		
038	224333-1	FLANGE 53		1		73182990		

Item	Parts No.	Description	I/C	QTY	N/O	Opt. 1	Opt. 2	NOTE
039	224333-1	FLANGE 53		1		73182990		
040	265355-2	HEX. FLANGE HEAD BOLT M8X20		1		73181500		
041	343639-9	CENTER PLATE		1		73182990		
042	344380-7	CENTER COVER		1		73182990		
043	265324-3	HEX. FLANGE HEAD BOLT M8X12		1		73181500		
044	231593-8	TORSION SPRING 36		1		73209090		
045	416003-8	SAFETY COVER		1		84679900		
046	267136-0	FLAT WASHER 5		1		73182200		
047	911213-7	PAN HEAD SCREW M5X12		1	*	73181500		
047-1	922211-6	HEX. SOCKET HEAD BOLT M5X12	<	1		73181500		
048	265985-9	HEX.SOCKET HEAD BOLT M6		1		73181500		
049	911223-4	PAN HEAD SCREW M5X16		2		73181500		
051-2	188324-5	BLADE CASE SET		1	*	84679900		
C10	817667-5	CAUTION LABEL		1	*	83100090		
C20	817829-5	CAUTION LABEL		1	*	83100090		
C30	263005-3	RUBBER PIN 6		1	*	40169390		
C40	819214-8	MAKITA LOGO LABEL		1	*			
051-3	188324-5	BLADE CASE SET	O	1	*	84679900		
C10	816847-0	OPERATIONAL INDICATION LABEL	<	1	*			
C20	817829-5	CAUTION LABEL		1	*	83100090		
C30	263005-3	RUBBER PIN 6		1	*	40169390		
C40	819214-8	MAKITA LOGO LABEL		1	*			
051-4	140648-7	BLADE CASE COMPLETE	O	1		84679900		
C10	816847-0	OPERATIONAL INDICATION LABEL		1				
C20	891309-9	CAUTION LABEL		1				
C30	263005-3	RUBBER PIN 6		1		40169390		
052-1	265488-3	HEX. BOLT M8X30		4		73181500		
053-1	316826-3	GUIDE RULE		1	*	84679900		
053-2	318847-1	GUIDE RULE	<	1		84679900		
054	912342-9	COUNTERSUNK HEAD SCREW M6X25		1		73181500		
055	253715-0	FLAT WASHER 6		1		84679900		
056-1	150662-5	SUB FENCE COMPLETE		1		84679900		
C10	810857-9	CAUTION LABEL		1		39199090		
057	344476-4	SUB FENCE PLATE		1		73182990		
058	252014-7	HEX. LOCK NUT M6-10		1		73181500		
059	251961-9	H.S.SET SCREW(FLAT POINT)M6X10		1		73181500		
060	257162-7	RING 7		1		73182990		
061	253823-7	FLAT WASHER 7		1		84679900		
062	265984-1	HEX.SOCKET BUTTON HEAD BOLT M		1		73181500		
063	344377-6	LINK PLATE		1		73182990		
064	265984-1	HEX.SOCKET BUTTON HEAD BOLT M		1		73181500		
065	253823-7	FLAT WASHER 7		1		84679900		
066	257162-7	RING 7		1		73182990		
067	416006-2	LEVER 100		1		84679900		
068	911113-1	PAN HEAD SCREW M4X10 WITH WR		1		73181500		
069	265437-0	HEX. BOLT M10		1		73181500		
070	253024-7	FLAT WASHER 10		1		84679900		
071	256836-7	ROD 16		1		73182990		

Item	Parts No.	Description	I/C	QTY	N/O	Opt. 1	Opt. 2	NOTE
072-2	154463-3	ARM COMPLETE		1		84679900		
C10	816310-3	SCALE LABEL		1		83100090		
073	322317-4	STOPPER PIN		1		73182990		
074	213021-5	O RING 5		1		40169320		
075	233152-4	COMPRESSION SPRING 28		1		73209090		
076-1	344464-1	SPRING HOLDER		1		82078000		
077A1	256280-8	PIN 8		1		73182990		
079	911113-1	PAN HEAD SCREW M4X10 WITH WR		1		73181500		
080	344385-7	POINTER		1		73182990		
081	343799-7	SLIDE PLATE		3		73182990		
082	921452-1	HEX. BOLT M8X30		1		73181500		
083	911213-7	PAN HEAD SCREW M5X12		2		73181500		
084	273495-2	GRIP 32		1		40169390		
085	344381-5	KNOCK SPRING		1		73209090		
086-1	150585-7	BASE COMPLETE		1		84679900		
C10	816311-1	MITER SCALE PLATE		1		83100090		
C20	817837-6	CAUTION LABEL		1		83100090		
C30	817283-3	CAUTION LABEL		2		83100090		
087-1	316824-7	TURN BASE		1		84679900		
088	416001-2	KERF BOARD		1		84679900		
089	416001-2	KERF BOARD		1		84679900		
090	921452-1	HEX. BOLT M8X30		1		73181500		
091	931402-8	HEX. NUT M8		1		73181500		
092	252105-4	HEX. LOCK NUT M8-13		1		73181500		
093-1	253762-1	FLAT WASHER 8		1		84679900		
094	931402-8	HEX. NUT M8		1		73181500		
095	921452-1	HEX. BOLT M8X30		1		73181500		
096	257060-5	RING 15.8		1		73182990		
097	251887-5	SCREW M6X10		1		73181500		
098	265708-5	THUMB SCREW M6X20		2		73181500		
A01	411478-6	SWITCH BUTTON		2		39269099		
A02	762001-3	TRIANGULAR RULE		1		82031000		
A03	782212-4	SOCKET WRENCH 13		1		82041120		
A04	122523-9	DUST BAG ASS'Y		1	*	39269099		
C10	410602-8	FASTENER		1	*	73182990		
A04-1	122852-0	DUST BAG ASS'Y	O	1		39269099		
C10	410602-8	FASTENER		1		73182990		
A05-1	193471-9	SUB PLATE ASS'Y		1		84679900		
C10	252148-6	SQUARE NUT M8		1				
C20	921431-9	HEX. BOLT M8X20		1				
A06	122536-0	WISE ASS'Y		1		84679900		
C10	251370-2	+ PAN HEAD SCREW M5		1		73181500		
C20	251887-5	SCREW M6X10		1		73181500		
C30	253804-1	FLAT WASHER 6		1		84679900		
C40	271286-5	KNOB 40		1				
C50	316938-2	WISE ARM		1		84679900		
C60	322313-2	WISE ROD		1				
C70	343651-9	WISE PLATE		1		73182990		

