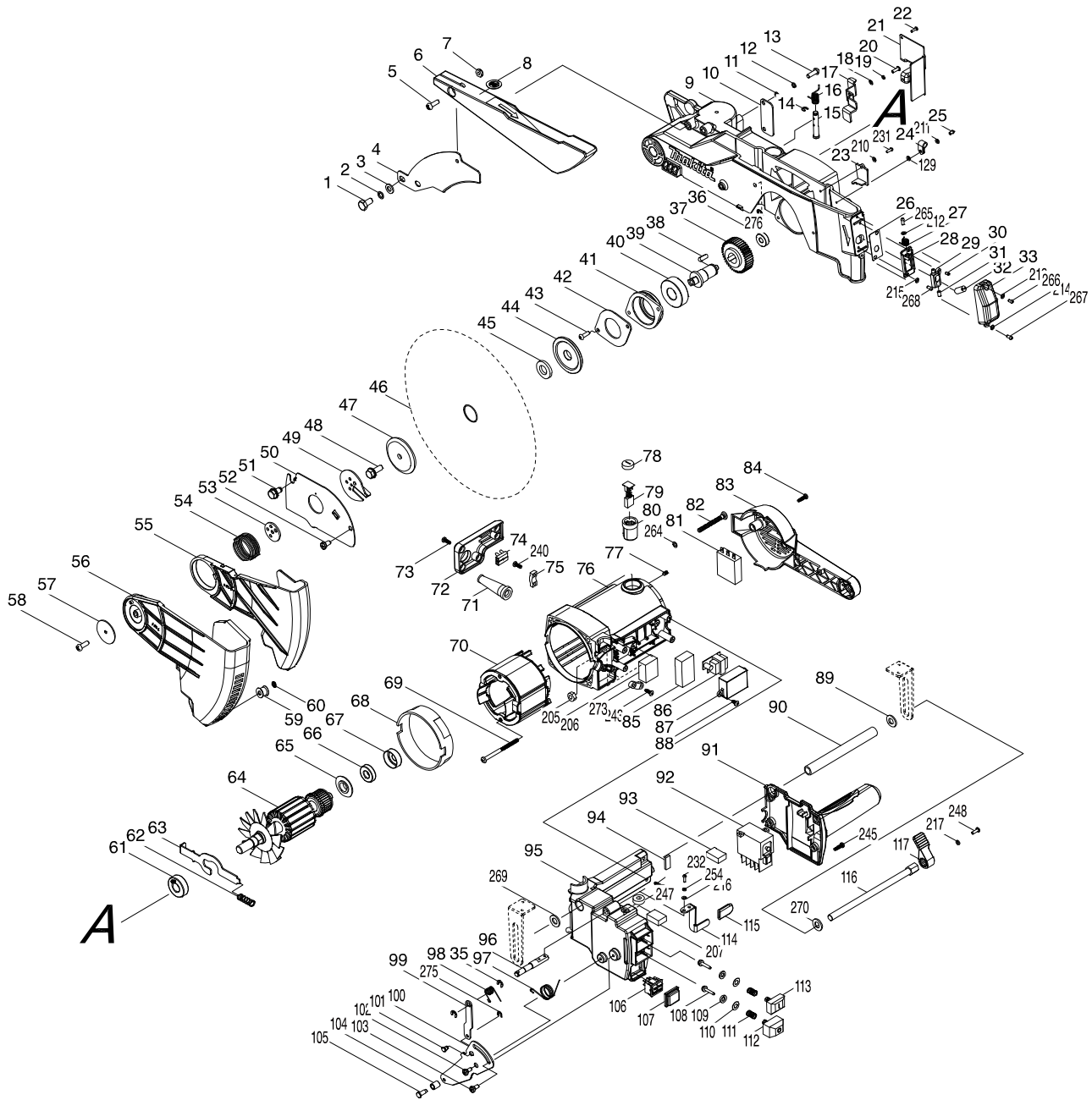
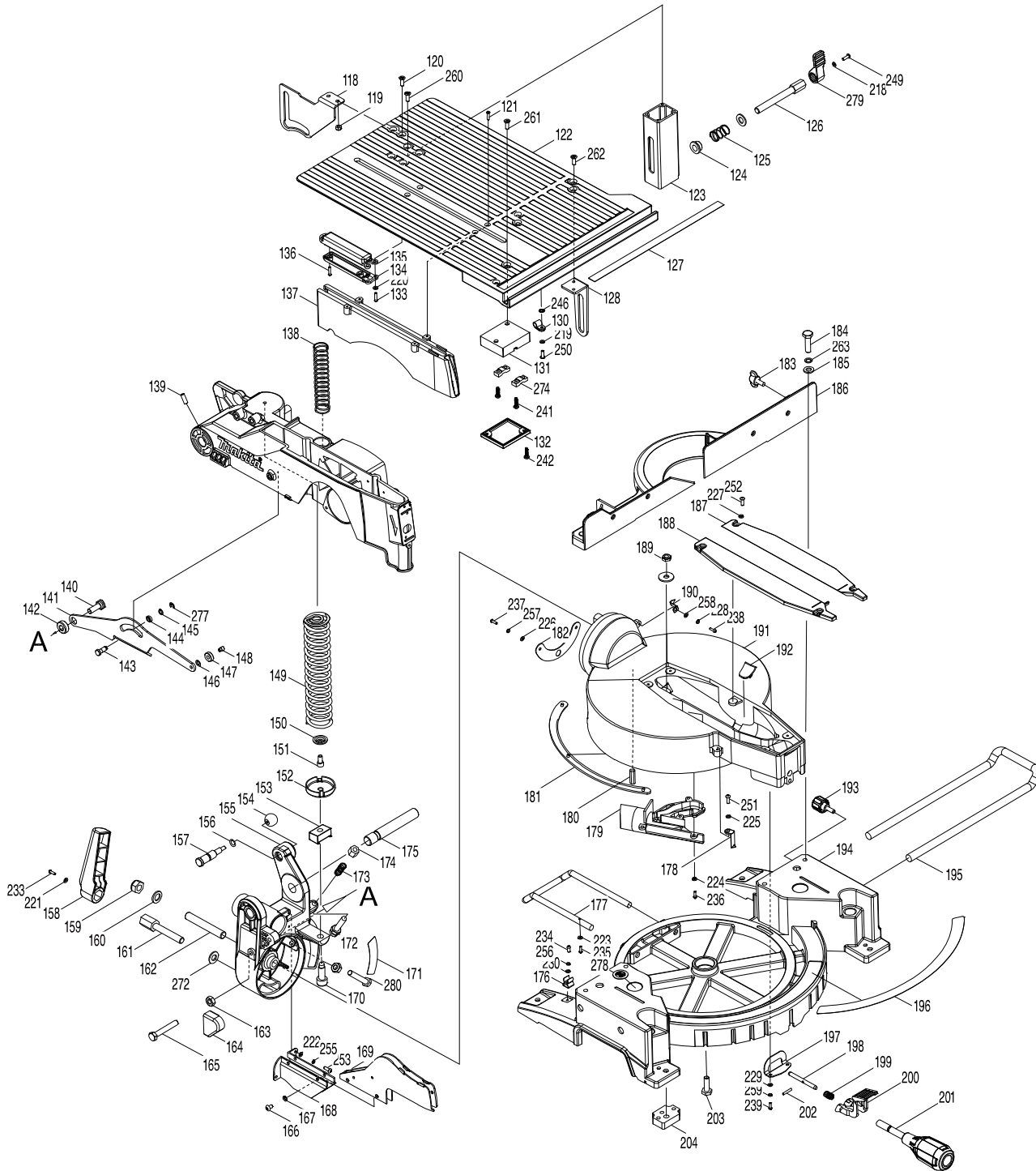


# Model No. LH1200FL 305MM TABLE TOP MITER SAW



# Model No. LH1200FL 305MM TABLE TOP MITER SAW



# Model No. LH1200FL 305MM TABLE TOP MITER SAW

Item	Parts No.	Description	I/C	QTY	N/O	Opt. 1	Opt. 2	NOTE
001	JM23300009	HEX BOLT M8X16		2		73181500		
002	JM23300010	SPRING WASHER 8		2		73182200		
003	JM23300011	FLAT WASHER 8		2		73182200		
004	JM23300012	RIVING KNIFE		1		82029990		
005	JM23300013	PAN HEAD SCREW M6X16		1		73181500		
006	JM23300300	UP BLADE GUARD COMPLETE		1		84679900		
D10		INC. 8						
007	JM23300015	LOCKNUT M6		1		73181600		
008	JM27080060	WARNING LABEL		1		83100090		
009	JM23300017	BLADE CASE		1		84679900		
010	JM23300018	FENCE PRESS PLATE		1		84679900		
011	JM23300019	FLAT WASHER 6		2		73182200		
012	JM23300020	SPRING WASHER 6		2		73182200		
013	JM23300021	PAN HEAD SCREW M6X12		2		73181500		
014	JM23300022	E RING 5		1		73182990		
015	JM23300023	LIFTING LIMITED PLATE SHAFT		1		84679900		
016	JM23300024	TORSION SPRING		1		73209090		
017	JM23300025	LIFTING LIMITED PLATE		1		84679900		
018	JM23300026	FLAT WASHER 4		2		73182200		
019	JM23300027	SPRING WASHER 4		2		73182200		
020	JM23300028	PAN HEAD SCREW M4X12		2		73181500		
021	JM23300029	PROTECTION COVER		1		84679900		
022	JM23300030	PAN HEAD SCREW M4X10		2		73181500		
023	JM23300031	LASER TERMINAL BOX COVER		1		73181500		
024	JM23300032	CORD CLAMP		1		84679900		
025	JM23300033	PAN HEAD SCREW M4X8		1		73181500		
026	JM23300034	LASER DUST-PROOF WASHER		1		73182200		
027	JM23300035	LASER SPRING		1		73182200		
028	JM23300036	LASER BRACKET		1		73182990		
029	JM23300037	LASER TURNING BRACKET		1		73182990		
030	JM23300038	H.S.SETTING SCREW M4X6		1		73181500		
031	JM23300039	H.S.SETTING SCREW M5X8		1		73181500		
032	JM23300040	LASER DIODE		1		85412900		
033	JM23300041	LASER COVER		1		85412900		
035	JM23300042	E RING 6		2		73182990		
036	JM23300043	BEARING 608		1		84821090		
037	JM23300044	SPINDLE GEAR		1		84834000		
038	JM23300045	KEY 6X16		1		82079090		
039	JM23300046	SPINDLE		1		84679900		
040	JM23300047	BEARING 6204		1		84831090		
041	JM23300048	BEARING BRACKET		1		73182990		
042	JM23300049	BEARING COVER		1		84679900		
043	JM23300050	H.S.BOLT M5X16		2		73181500		
044	JM23300051	INNER FLANGE		1		73182990		
045	JM23100191	BLADE INNER RING		1		73182990		
047	JM23300053	OUTER FLANGE		1		73182990		
048	JM23300054	FLANGE BOLT M8X20		1		73181500		
049	JM23300055	CENTER PLATE		1		84679900		

**Model No. LH1200FL 305MM TABLE TOP MITER SAW**

Item	Parts No.	Description	I/C	QTY	N/O	Opt. 1	Opt. 2	NOTE
050	JM23300056	GUARD FIX PLATE		1		84679900		
051	JM23300057	GUARD SCREW M8X12		1		73181500		
052	JM23300058	GUARD LOCK BOLT		1		73181500		
053	JM23300059	CENTER WASHER		1		73182200		
054	JM23300060	GUARD TORSION SPRING		1		73209090		
055	JM23300061	INNER GUARD		1		84679900		
056	JM23300310	OUTER GUARD COMPLETE		1		84679900		
D10		INC. 59,60						
057	JM23300063	FIX PLATE		1		84679900		
058	JM23300064	PAN HEAD SCREW M5X25		1		73181500		
059	JM23300065	GUARD ROLLER SLEEVE		1		84679900		
060	JM23300066	INNER STAR WASHER 5		1		73209090		
061	JM23300067	BEARING 6202-RS		1		84831090		
062	JM23300068	COMPRESSION SPRING		1		73209090		
063	JM23300069	SHAFT LOCK PLATE		1		84679900		
064	JM23300001	ARMATURE 230V		1		85030090		
065	JM23300070	DUST PROOF COVER		1		84679900		
066	JM23300071	BEARING 6001-RS		1		84821090		
067	JM23300072	BUFFER PAD		1		84679900		
068	JM23300073	BAFFLE PLATE		1		84679900		
069	JM23300074	TAPPING SCREW ST4.8X75		2		73181500		
070	JM23300003	FIELD 230V		1		85030090		
071	JM23300075	PROTECTION TUBE		1		84679900		
072	JM23300076	TERMINAL BOX COVER		1		84679900		
073	JM23300077	TAPPING SCREW ST4.2X12		5		73181500		
074	JM23300078	CONNECTION TERMINAL		1		73182990		
075	JM23300079	CORD CLAMP		1		73182990		
076	JM23300320	MOTOR HOUSING COMPLETE		1		84679900		
D10		INC. 77,80						
077	JM23300081	H.S.SETTING SCREW M5X8		2		73181500		
078	JM23300082	CARBON BRUSH COVER		2		85452000		
079	JM23300083	CARBON BRUSH		2	*			
079-1	JM23000123	CARBON BRUSH	O	1		85452000		
080	JM23300084	CARBON BRUSH HOLDER		2		85452000		
081	JM23300085	SOFT STARTER		1		84679900		
082	JM23300086	PAN HEAD SCREW M6X55		4		73181500		
083	JM23300087	REAR COVER		1		84679900		
084	JM23300088	TAPPING SCREW ST4.2X16		4		73181500		
085	JM23300089	SPONGE A		1		40169390		
086	JM23300090	TRANSFORMER B03		1		84679900		
087	JM23300091	TRANSFORMER COVER		1		84679900		
088	JM23300092	TAPPING SCREW ST4.2X8		2		73181500		
089	JM23300093	FLAT WASHER 10		1		73182200		
090	JM23300094	TABLE LOCK TUBE		1		40169390		
091	JM23300095	HANDLE COVER		1		84679900		
092	JM23300096	SWITCH		1		85366990		
093	JM23300097	CAPACITOR		1		85322990		
094	JM23300098	SPONGE B		1		40169390		

Item	Parts No.	Description	I/C	QTY	N/O	Opt. 1	Opt. 2	NOTE
095	JM23300099	HANDLE		1		84679900		
096	JM23300100	TURNING SHAFT		1		84679900		
097	JM23300101	TORSION SPRING		1		73209090		
098	JM23300102	TORSION SPRING		1		73209090		
099	JM23300103	LOCK LEVER B		1		73182990		
100	JM23300330	LOCKING PLATE COMPLETE		1		84679900		
D10		INC. 104,105						
101	JM23300105	RIVET		1		73182990		
102	JM23300106	CONNECTION SCREW		1		73181500		
103	JM23300107	PIN		1		73182990		
104	JM23300108	TURNING SLEEVE		1		73182990		
105	JM23300109	PIN		1		73182990		
106	JM23300110	SWITCH HY39-2		1		85366990		
107	JM23300111	SWITCH COVER HY39-2		1		85366990		
108	JM23300112	PRESS BUTTON CAP		2	*	73182990		
108-1	JM23300112	PRESS BUTTON CAP	<	1		73182990		
109	JM23300113	FELT RING		2		73182990		
110	JM23300114	WASHER		2		73182200		
111	JM23300115	SPRING		2		73209090		
112	JM23300116	SWITCH OFF BUTTON		1		39269099		
113	JM23300117	SWITCH ON BUTTON		1		39269099		
114	JM23300118	LOCK LEVER		1		84679900		
115	JM23300119	LEVER CAP		1		39269099		
116	JM23300120	TABLE LOCK BOLT		1		73181500		
117	JM23300121	TABLE LOCKING LEVER		1		84679900		
118	JM23300122	INTERLOCK PLATE		1		84679900		
119	JM23300123	LOCKNUT M5		2		73181600		
120	JM23300124	COUNTERSUNK SCREW M5X14		2		73181500		
121	JM23300125	TAPPING SCREW ST3.5X14		4		73181500		
122	JM23300126	WORKING TABLE		1		84679900		
123	JM23300127	TABLE LIFTING SQUARE TUBE		1		84679900		
124	JM23300128	PRESS WASHER		1		73209090		
125	JM23300129	LOCK SPRING		1		73209090		
126	JM23300130	TABLE LOCKING BOLT		1		73181500		
127	JM23300131	TABLE SCALE LABEL		1		83100090		
128	JM23300132	TABLE SUPPORT PLATE		1		84679900		
129	JM23300133	OUTER STAR WASHER 4		1		73182200		
130	JM23300134	CORD CLIP		1		73182990		
131	JM23300135	TERMINAL BOX		1		84679900		
132	JM23300136	TERMINAL BOX COVER		1		84679900		
133	JM23300137	PAN HEAD SCREW M4X14		3		73181500		
134	JM23300138	LAMP COVER		1		84679900		
135	JM23300139	LAMP BOX		1		84679900		
136	JM23300140	TAPPING SCREW ST3.5X9		2		73181500		
137	JM23300141	UNDER GUARD		1		84679900		
138	JM23300142	COMPRESSION SPRING		1		73209090		
139	JM23300143	H.S.SETTING SCREW M6X16		1		73181500		
140	JM23300144	LINK PLATE SCREW		1		73181500		

**Model No. LH1200FL 305MM TABLE TOP MITER SAW**

Item	Parts No.	Description	I/C	QTY	N/O	Opt. 1	Opt. 2	NOTE
141	JM23300340	LINK PLATE COMPLETE		1		84679900		
D10		INC. 146-148						
142	JM23300146	SLEEVE		1		73182990		
143	JM23300147	LINK PIN		1		73182990		
144	JM23300148	LINK PIN RING		1		73182990		
145	JM23300149	THIN FLAT WASHER 6		1		73182200		
146	JM23300150	WASHER		1		73182200		
147	JM23300151	BEARING 619-6-2Z		1		84821090		
148	JM23300152	LINK PIN SHAFT		1		84831099		
149	JM23300153	COMPRESSION SPRING		1		73209090		
150	JM23300154	SPRING COVER		1		84679900		
151	JM23300155	H.S.BOLT M6X12		1		73181500		
152	JM23300156	SPRING BRACKET		1		73182990		
153	JM23300157	SPRING SUPPORT BRACKET		1		73182990		
154	JM23300158	BALL TYPE KNOB		1		40169390		
155	JM23300159	BEVEL BRACKET		1		40169390		
156	JM23300160	O TYPE RING 8.5		1		40169390		
157	JM23300161	LOCK PIN		1		73182990		
158	JM23300162	BEVEL LOCK HANDLE		1		84679900		
159	JM23300163	LOCKNUT M12		1		73181600		
160	JM23300164	FLAT WASHER 12		1		73182200		
161	JM23300165	BEVEL LOCK ROD		1		84679900		
162	JM23300166	BEVEL SHAFT		1		84831099		
163	JM23300167	HEX NUT M8		3		73181600		
164	JM23300168	BUFFER WASHER		1		73182200		
165	JM23300169	HEX BOLT M8X50		1		73181500		
166	JM23300170	H.S.BOLT M5X8		4		73181500		
167	JM23300171	SPRING WASHER 5		4		73182200		
168	JM23300172	GUARD FIX PLATE		1		84679900		
169	JM23300173	GUARD BRACKET		1		84679900		
170	JM23300174	SPRING SCREW		1		73181500		
171	JM23300175	BEVEL SCALE LABEL		1		83100090		
172	JM23300176	ORIENTING SCREW		1		73181500		
173	JM23300177	CUTTING DEPTH ADJUSTING NUT		1	*	84679900		
173-1	JM23300178	SPRING	X	1		73209090		
174	JM23300178	SPRING		1	*	73209090		
174-1	JM23300177	CUTTING DEPTH ADJUSTING NUT	X	1		84679900		
175	JM23300179	PIVOT		1		82079090		
176	JM23300180	WRENCH CLIP		1		73182990		
177	JM23300181	BACK SUPPORT		1		84679900		
178	JM23300182	MITER POINTER		1		84679900		
179	JM23300183	DUST PORT		1		84679900		
180	JM23300184	ELASTIC PIN M4X30		1		73182990		
181	JM23300185	FRICTION WASHER		2		73182200		
182	JM23300186	DUST-PROOF COVER		1		84679900		
183	JM23300187	WING KNOT		2		84679900		
184	JM23300188	HEX BOLT M8X30		4		73181500		
185	JM23300189	BIG FLAT WASHER 8		5		73152200		

Item	Parts No.	Description	I/C	QTY	N/O	Opt. 1	Opt. 2	NOTE
186	JM23300190	GUIDE FENCE		4	*	84679900		
186-1	JM23300190	GUIDE FENCE	O	1		84679900		
187	JM23300191	TABLE KERF RIGHT		1		84679900		
188	JM23300192	TABLE KERF LEFT		1		84679900		
189	JM23300193	LOCKNUT M8		1		73181600		
190	JM23300194	BEVEL POINTER		1		84679900		
191	JM23300195	MITER WORKING TABLE		1		84679900		
192	JM23300196	INSERT PLATE		1		84679900		
193	JM23300197	WING LOCK KNOB		2		84679900		
194	JM23300350	BASE COMPLETE		1		84679900		
D10		INC. 196						
196	JM23300199	MITER SCALE LABEL		1		84679900		
197	JM23300200	WORKING TABLE PRESS PLAE A		1		84679900		
198	JM23300201	MITER LOCK ROD		1		84679900		
199	JM23300202	MITER LOCK SPRING		1		73209090		
200	JM23300203	MITER LOCK PRESS PLATE		1		84679900		
201	JM23300204	TABLE TURNING KNOB		1		84679900		
202	JM23300205	WORKING TABLE LOCKING PIN		1		84679900		
203	JM23300206	HEX BOLT M8X35		1		73181500		
204	JM23300207	BUFFER PAD		4		84679900		
205	JM23300208	STRAIN & RELIEF		1		84679900		
206	JM23300209	SPONGE C		1		40169390		
207	JM23300210	SPONGE D		1		40169390		
208	JM23300360	ARM COMPLETE		1		84679900		
D10		INC. 171						
209	JM23000154	POWER SUPPLY CORD		1		85442090		
210	JM23300026	FLAT WASHER 4		1		73182200		
211	JM23300026	FLAT WASHER 4		1		73182200		
212	JM23300026	FLAT WASHER 4		1		73182200		
213	JM23300026	FLAT WASHER 4		1		73182200		
214	JM23300026	FLAT WASHER 4		1		73182200		
215	JM23300026	FLAT WASHER 4		2		73182200		
216	JM23300026	FLAT WASHER 4		2		73182200		
217	JM23300026	FLAT WASHER 4		1		73182200		
218	JM23300026	FLAT WASHER 4		1		73182200		
219	JM23300026	FLAT WASHER 4		1		73182200		
220	JM23300026	FLAT WASHER 4		3		73182200		
221	JM23300026	FLAT WASHER 4		1		73182200		
222	JM23300026	FLAT WASHER 4		3		73182200		
223	JM23300026	FLAT WASHER 4		1		73182200		
224	JM23300026	FLAT WASHER 4		4		73182200		
225	JM23300026	FLAT WASHER 4		1		73182200		
226	JM23300026	FLAT WASHER 4		2		73182200		
227	JM23300026	FLAT WASHER 4		4		73182200		
228	JM23300026	FLAT WASHER 4		1		73182200		
229	JM23300026	FLAT WASHER 4		2		73182200		
230	JM23300026	FLAT WASHER 4		1		73182200		
231	JM23300030	PAN HEAD SCREW M4X10		1		73181500		

Item	Parts No.	Description	I/C	QTY	N/O	Opt. 1	Opt. 2	NOTE
232	JM23300030	PAN HEAD SCREW M4X10		2		73181500		
233	JM23300030	PAN HEAD SCREW M4X10		1		73181500		
234	JM23300030	PAN HEAD SCREW M4X10		1		73181500		
235	JM23300030	PAN HEAD SCREW M4X10		1		73181500		
236	JM23300030	PAN HEAD SCREW M4X10		4		73181500		
237	JM23300030	PAN HEAD SCREW M4X10		2		73181500		
238	JM23300030	PAN HEAD SCREW M4X10		1		73181500		
239	JM23300030	PAN HEAD SCREW M4X10		2		73181500		
240	JM23300077	TAPPING SCREW ST4.2X12		2		73181500		
241	JM23300077	TAPPING SCREW ST4.2X12		4		73181500		
242	JM23300077	TAPPING SCREW ST4.2X12		2		73181500		
243	JM23300077	TAPPING SCREW ST4.2X12		2		73181500		
244	JM23300088	TAPPING SCREW ST4.2X16		4		73181500		
245	JM23300088	TAPPING SCREW ST4.2X16		4		73181500		
246	JM23300133	OUTER STAR WASHER 4		1		73182200		
247	JM23300208	STRAIN & RELIEF		1		84679900		
248	JM23300028	PAN HEAD SCREW M4X12		1		73181500		
249	JM23300028	PAN HEAD SCREW M4X12		1		73181500		
250	JM23300028	PAN HEAD SCREW M4X12		1		73181500		
251	JM23300028	PAN HEAD SCREW M4X12		1		73181500		
252	JM23300028	PAN HEAD SCREW M4X12		4		73181500		
253	JM23300028	PAN HEAD SCREW M4X12		3		73181500		
254	JM23300027	SPRING WASHER 4		2		73182200		
255	JM23300027	SPRING WASHER 4		3		73182200		
256	JM23300027	SPRING WASHER 4		1		73182200		
257	JM23300027	SPRING WASHER 4		2		73182200		
258	JM23300027	SPRING WASHER 4		1		73182200		
259	JM23300027	SPRING WASHER 4		2		73182200		
260	JM23300124	COUNTERSUNK SCREW M5X14		4		73181500		
261	JM23300124	COUNTERSUNK SCREW M5X14		2		73181500		
262	JM23300124	COUNTERSUNK SCREW M5X14		4		73181500		
263	JM23300010	SPRING WASHER 8		4		73182200		
264	JM23300019	FLAT WASHER 6		4		73182200		
265	JM23300033	PAN HEAD SCREW M4X8		1		73181500		
266	JM23300033	PAN HEAD SCREW M4X8		1		73181500		
267	JM23300033	PAN HEAD SCREW M4X8		1		73181500		
268	JM23300033	PAN HEAD SCREW M4X8		2		73181500		
269	JM23300093	FLAT WASHER 10		1		73182200		
270	JM23300093	FLAT WASHER 10		1		73182200		
271	JM23300093	FLAT WASHER 10		1		73182200		
272	JM23300093	FLAT WASHER 10		1		73182200		
273	JM23300079	CORD CLAMP		1		73182990		
274	JM23300079	CORD CLAMP		2		73182990		
275	JM23300022	E RING 5		1		73182990		
276	JM23300022	E RING 5		1		73182990		
277	JM23300022	E RING 5		1		73182990		
278	JM27080060	WARNING LABEL		2		83100090		
279	JM23300121	TABLE LOCKING LEVER		1		84679900		



