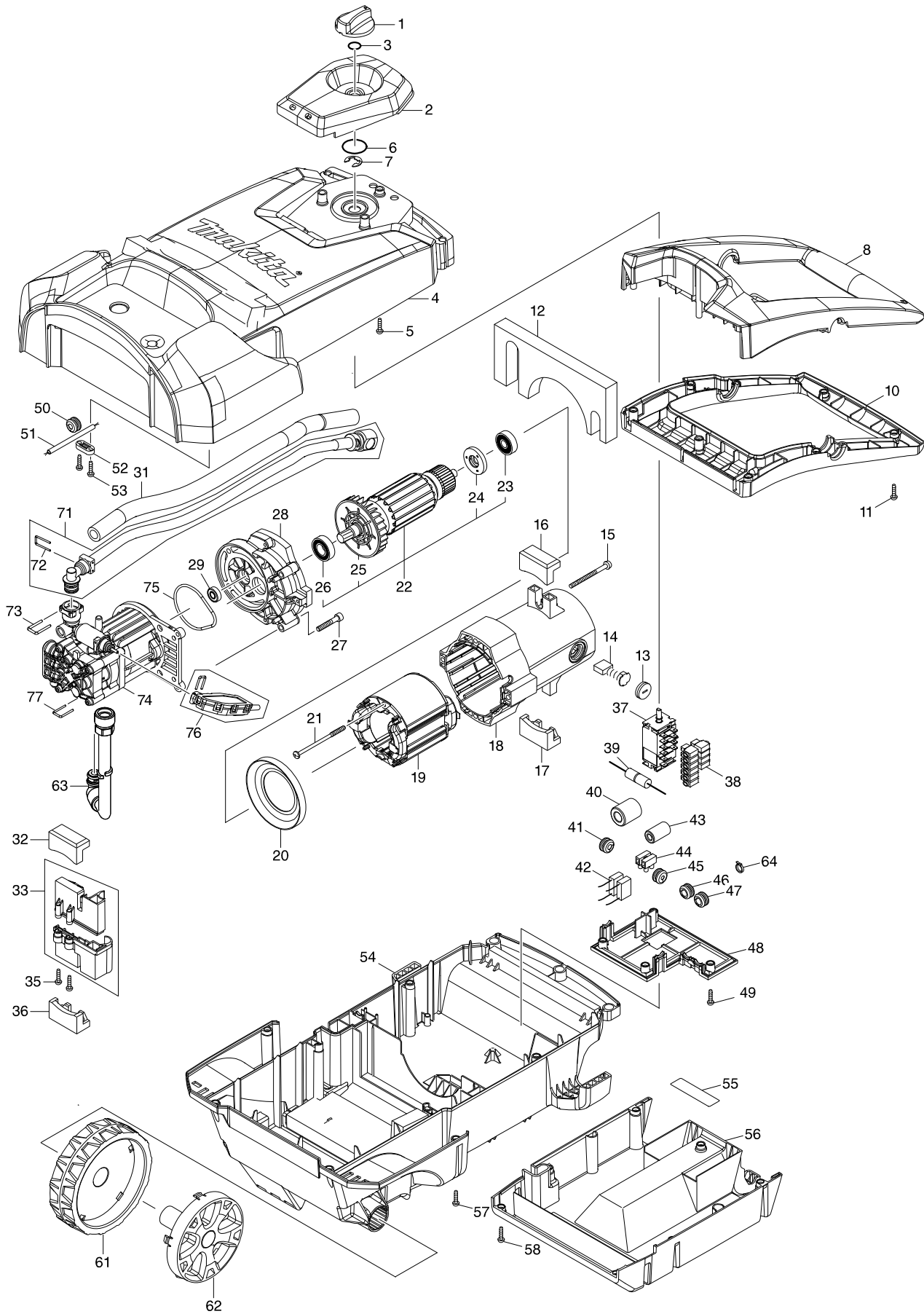
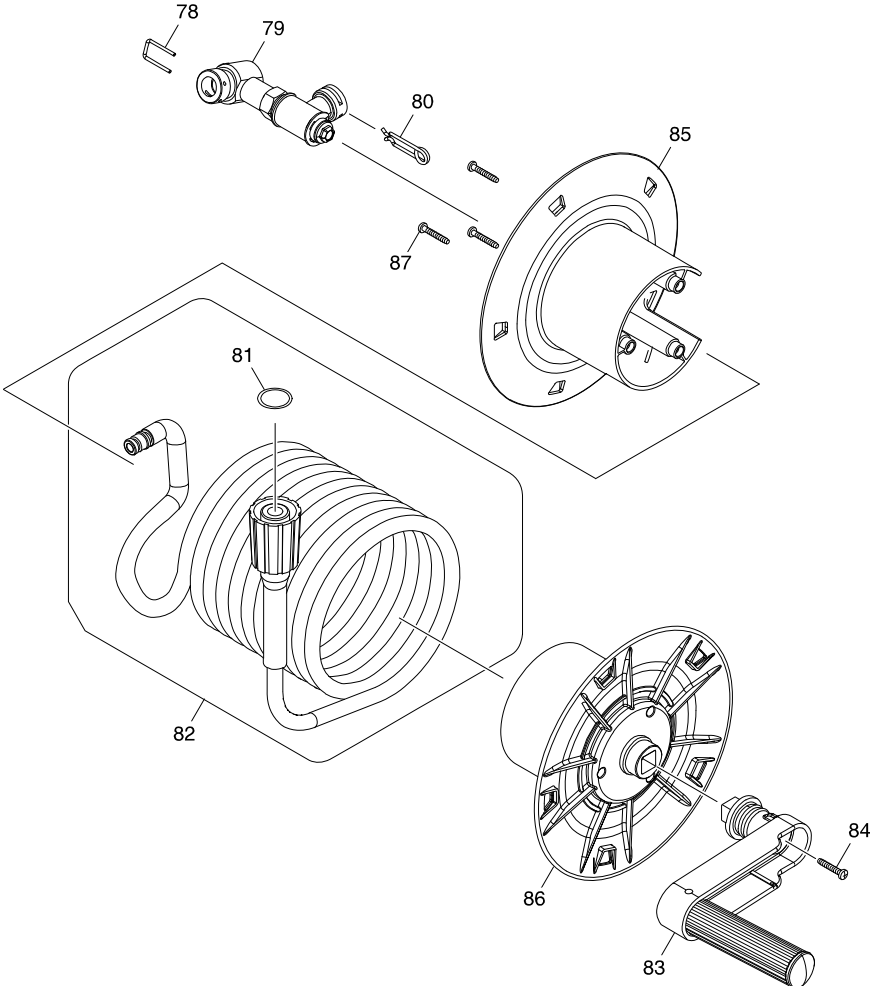


# Model No. HW1300 HIGH PRESSURE WASHER



Model No. HW1300 HIGH PRESSURE WASHER



# Model No. HW1300 HIGH PRESSURE WASHER

Item	Parts No.	Description	I/C	QTY	N/O	Opt. 1	Opt. 2	NOTE
001	456837-7	SWITCH DIAL 50		1		39269090		
002	456844-0	FRONT COVER		1		84249090		
003	213176-6	O RING 14		1		40169320		
004	143814-5	FRONT HOUSING COMPLETE		1		84249090		
005	266045-0	TAPPING SCREW 4X20		4		73181500		
006	213412-0	O RING 29		1		40169320		
007	961062-2	STOP RING E-12		1		73182990		
008	456840-8	FRONT HANDLE		1		84249090		
010	456842-4	REAR HANDLE		1		84249090		
011	266045-0	TAPPING SCREW 4X20		9		73181500		
012	424856-1	SCREEN SPONGE F		1		40161010		
013	643700-5	BRUSH HOLDER CAP 7-18		2		82078000		
014	191953-5	CARBON BRUSH CB-203		1		85452000		
015	911288-6	PAN HEAD SCREW M5X65		4		73181500		
016	424852-9	RUBBER CUSHION		1		40169910		
017	424852-9	RUBBER CUSHION		1		40169910		
018	143813-7	MOTOR HOUSING COMPLETE		1		84679900		
C10	643712-8	BRUSH HOLDER		2		82078000		
019	639096-0	FIELD ASSY 240V		1	*	85030090		
C10	654197-3	RING TERMINAL		2	*	73182990		
C20	654502-4	CONNECTOR P-2		2	*	73182990		
019-1	639082-1	FIELD ASSY 240V	O	1				
C10	654197-3	RING TERMINAL		2		73182990		
C20	654502-4	CONNECTOR P-2		2		73182990		
020	416131-9	BAFFLE PLATE		1		73182990		
021	265A13-6	TAPPING SCREW 5X85		2		73181500		
022	513469-4	ARMATURE ASSEMBLY 240V		1		85030090		
D10		INC. 23-26						
023	211067-5	BALL BEARING 6200ZZ		1		84821090		
024	681630-2	INSULATION WASHER		1		73182200		
025	241908-1	FAN 80		1		84145190		
026	211236-8	BALL BEARING 6002DDW		1		84821090		
027	266586-6	H.S.H.BOLT M6X35		4		73181500		
028	143822-6	GEAR HOUSING COMPLETE		1		84834000		
C10	263005-3	RUBBER PIN 6		1		40169390		
029	211166-3	BALL BEARING 698DDW		1		84821090		
031	424869-2	HOSE COVER		1		40094100		
032	424852-9	RUBBER CUSHION		1		40169910		
033	183D72-5	PUMP RETAINER SET		1		84249090		
035	266045-0	TAPPING SCREW 4X20		2		73181500		
036	424852-9	RUBBER CUSHION		1		40169910		
037	650775-7	SWITCH		1		85365000		
038	686035-1	RECEPTACLE SLEEVE		10		73181500		
039	632G73-3	CURRENT FUSE UNIT		1		85361000		
041	682100-4	GROMMET		1		40169910		
044	654531-7	TERMINAL BLOCK 2P		1		73182990		
045	682098-5	GROMMET		1		40169910		
046	682100-4	GROMMET		1		40169910		

**Model No. HW1300 HIGH PRESSURE WASHER**

Item	Parts No.	Description	I/C	QTY	N/O	Opt. 1	Opt. 2	NOTE
047	682100-4	GROMMET		1		40169910		
048	456833-5	SWITCH BOX COVER		1		85369090		
049	266045-0	TAPPING SCREW 4X20		4		73181500		
050	682100-4	GROMMET		1		40169910		
051	665856-4	POWER SUPPLY CORD 1.0-2-5.7		1		85442090		
052	687124-5	STRAIN RELIEF		1		84679900		
053	266045-0	TAPPING SCREW 4X20		2		73181500		
054	143820-0	REAR HOUSING COMPLETE		1		84679900		
C10	809R02-9	CAUTION LABEL		1				
055	852W26-4	HW1300 NAME PLATE		1				
056	456838-5	REAR BOX		1		84249090		
057	266045-0	TAPPING SCREW 4X20		8		73181500		
058	266045-0	TAPPING SCREW 4X20		7		73181500		
061	456835-1	WHEEL		2		84679900		
062	456836-9	WHEEL CAP		2		39269010		
063	123649-0	ABSORPTION JOINT		1		39269099		
064	687010-0	BAND		1		84679900		
071	TG00000004	HIGH-PRESSURE HOSE JOINT		1		40091200		
072	TG00000002	U TYPE PIN 3		1		73182990		
073	TG00000002	U TYPE PIN 3		1		73182990		
074	TG00000001	PUMP COMPLETE		1		40169390		
075	TG00000006	SEAL RING 62		1		40169310		
076	TG00000005	PRESSURE SWITCH COMPLETE		1		85365000		
077	TG00000003	U TYPE PIN 2		1		73182400		
078	TG00000003	U TYPE PIN 2		1		73182400		
079	TG00000010	REEL JOINT COMPLETE		1		84249090		
080	TG00000011	TORSION SPRING 8		1		73182400		
081	TG00000008	O RING 10		1		40169310		
082	TG00000009	HIGH-PRESSURE HOSE 10M		1		40091200		
083	TG00000013	REEL HANDLE COMPLETE		1	*	84249090		
083-1	TG00000023	REEL HANDLE COMPLETE	O	1				
084	TG00000012	SCREW 3.5X19		1		73181400		
085	456897-9	HOSE REEL L		1		84249090		
086	456823-8	HOSE REEL R		1		84249090		
087	TG00000012	SCREW 3.5X19		3		73181400		
A01	197842-2	TRIGGER GUN SET		1		84679900		
A02	197886-2	FOAM NOZZLE SET		1		84679900		
A03	197876-5	VARIOSPRAY LANCE SET		1		84679900		
A04	197824-4	CYCLONE JET NOZZLE SET		1		84679900		
A05	197810-5	CONNECTOR SET		1		85366990		
C10	197883-8	ONE TOUCH JOINT SET		1		84679900		
C20	197881-2	ABSORPTION CONNECTOR SET		1		84679900		
C30	123660-2	CLEANING PIN		1		73182990		