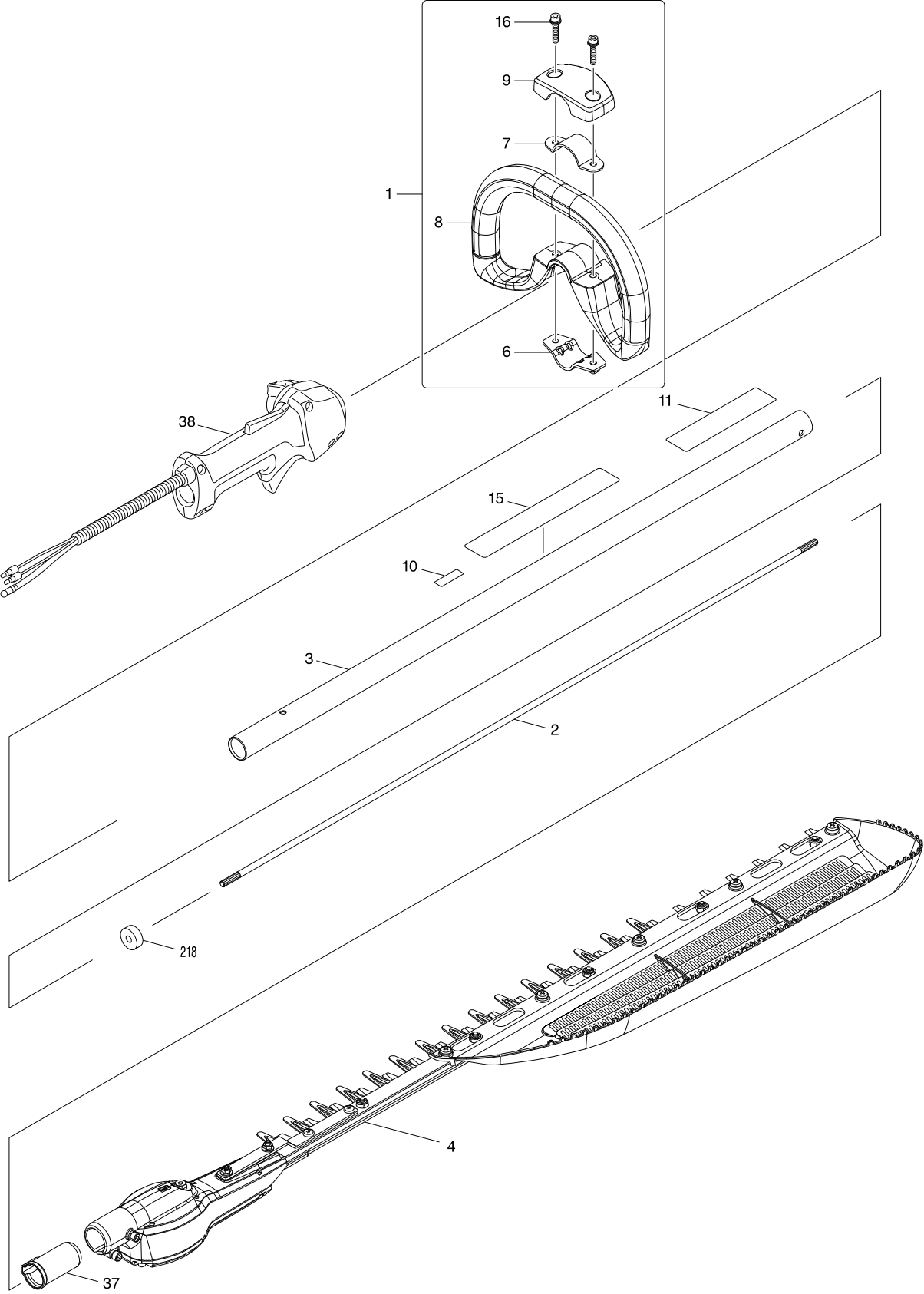
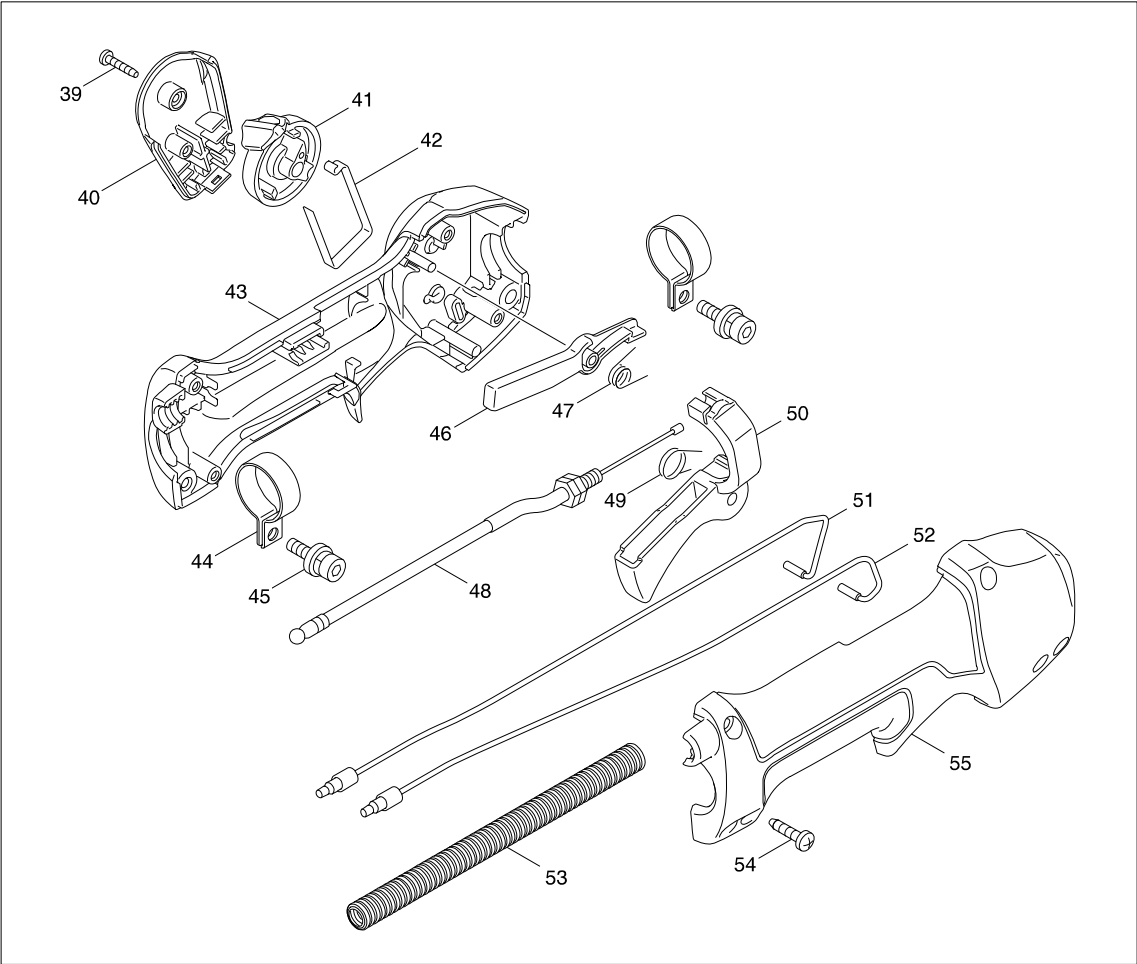


Model No. EN7350SH PETROL POLE HEDGE TRIMMER

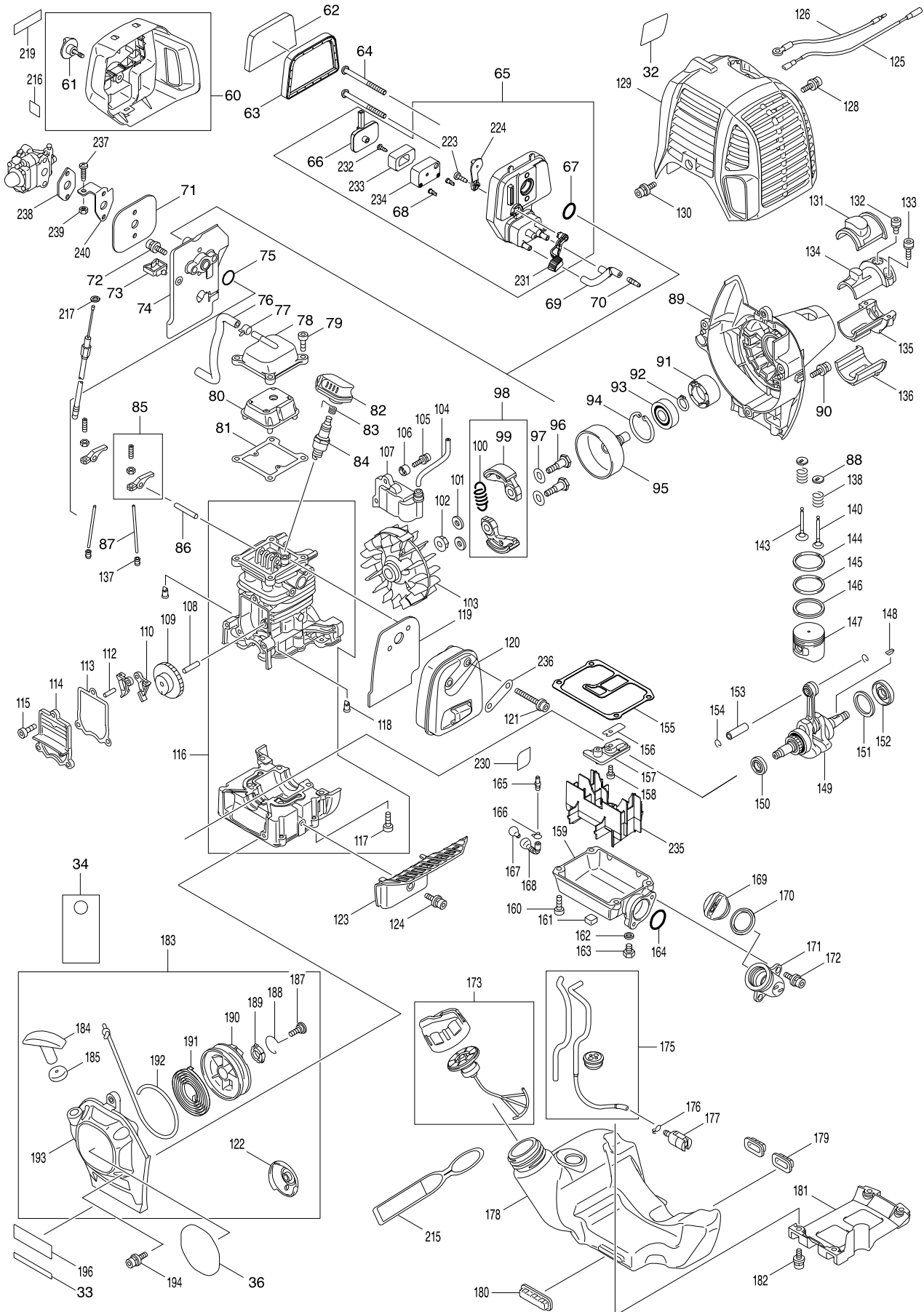


Model No. EN7350SH PETROL POLE HEDGE TRIMMER



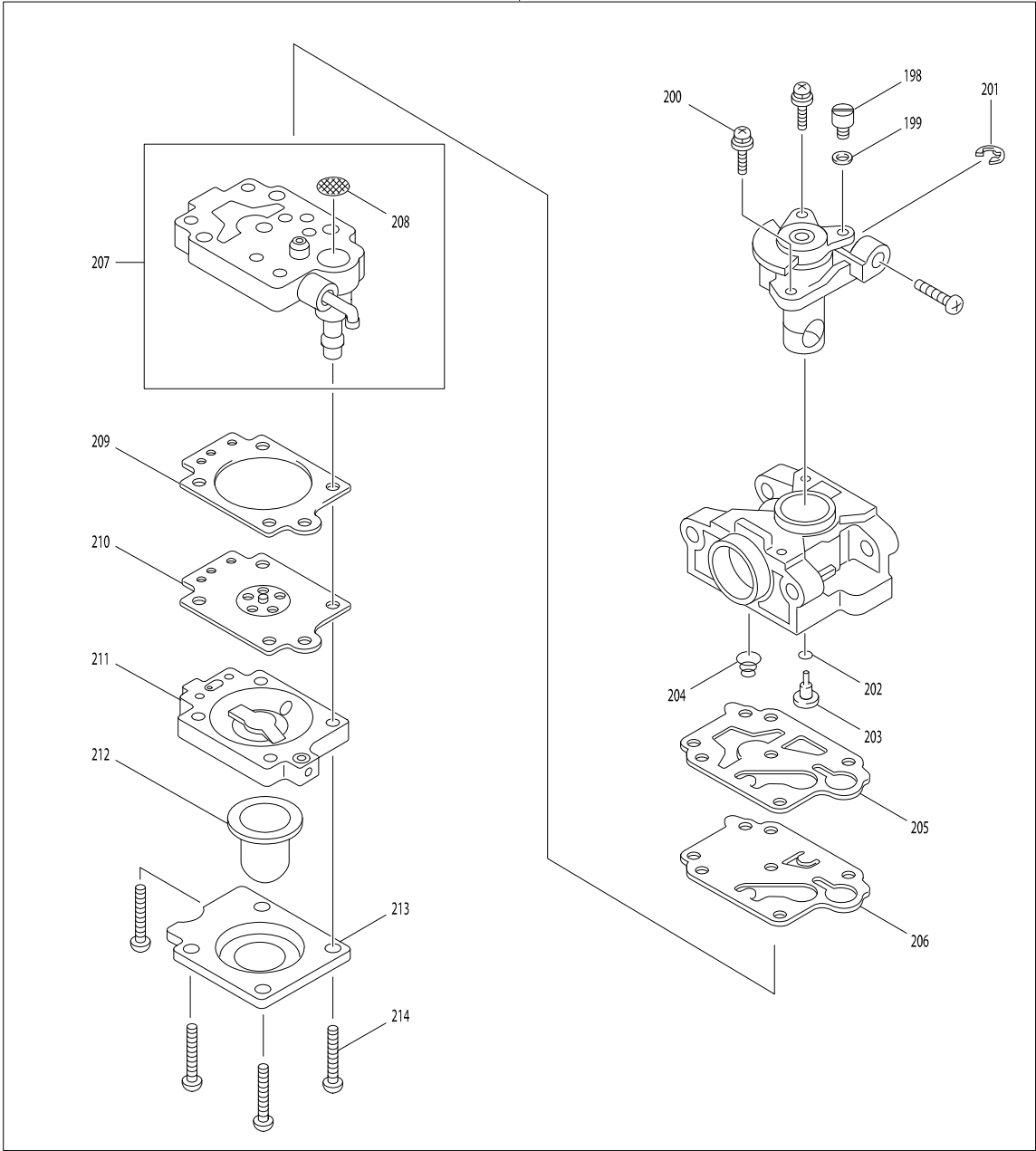
38

Model No. EN7350SH PETROL POLE HEDGE TRIMMER

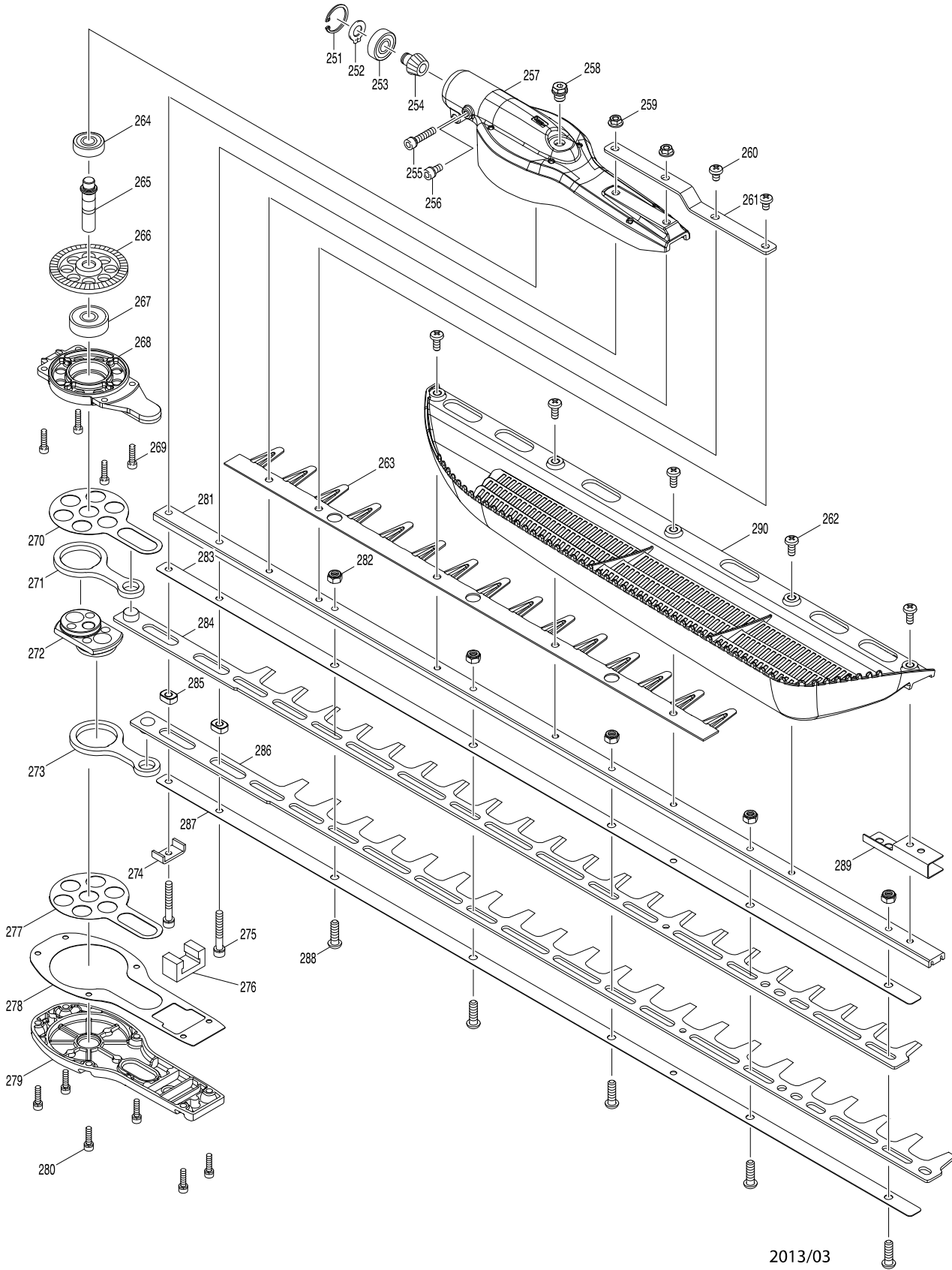


Model No. EN7350SH PETROL POLE HEDGE TRIMMER

197



Model No. EN7350SH PETROL POLE HEDGE TRIMMER



2013/03
EN7350SH 5/5

Model No. EN7350SH PETROL POLE HEDGE TRIMMER

Item	Parts No.	Description	I/C	QTY	N/O	Opt. 1	Opt. 2	NOTE
001	195626-2	LOOP HANDLE SET		1		84679900		
D10		INC. 6-9,16						
002	326036-4	SHAFT		1		84831099		
003	141961-6	SHAFT PIPE COMPLETE		1		84679900		
004	126283-5	TRIMMER HEAD ASSEMBLY		1	*			
004-1	135545-0	TRIMMER HEAD ASSEMBLY	O	1				
006	346467-1	CLAMP 24		1	*	73182200		
006-1	347094-7	CLAMP 24	O	1				
007	346468-9	CLAMP 33		1		73182200		
008	452841-4	LOOP HANDLE		1		84679900		
009	452843-0	CLAMP COVER B		1		73182990		
010	814E64-6	SERIAL NO. LABEL		1		83100090		
011	819312-8	MAKITA LOGO LABEL		1		83100090		
015	801C66-9	CAUTION LABEL		1				
016	922243-3	HEX. SOCKET HEAD BOLT M5X25		2		73181500		
033	816567-6	SERIAL NO. LABEL		1				
034	819432-8	CAUTION TAG		1		83100090		
036	800X37-9	EN7350SH MODEL NO. LABEL		1				
037	424434-7	CAP 24		1		40169390		
038	125776-9	CONTROL LEVER ASSEMBLY		1	*			
D10		INC. 39-55			*			
038-1	126488-7	CONTROL LEVER ASSEMBLY	<	1		84679900		
D10		INC. 39-55						
039	266130-9	TAPPING SCREW BIND PT 3X16		1		73181500		
040	451595-0	SWITCH COVER		1		39269099		
041	451594-2	SWITCH LEVER		1		39269099		
042	232251-9	LEAF SPRING		1		73209090		
043	188832-6	LEVER CASE SET		1		84679900		
D10		INC. 55						
044	346248-3	CLAMP 24		2		73182200		
045	922218-2	H.S.H.BOLT M5X14 WITH WR		2		73181500		
046	451593-4	LOCK LEVER		1		73182990		
047	233541-3	TORSION SPRING 7		1		73209090		
048	168571-4	CONTROL CABLE		1		85442090		
049	233540-5	TORSION SPRING 11		1		73209090		
050	451592-6	THROTTLE LEVER		1	*			
050-1	455313-8	THROTTLE LEVER	<	1		84679900		
051	638714-7	LEAD UNIT		1		84679900		
052	638713-9	LEAD UNIT		1		84679900		
053	452071-7	CORRUGATE TUBE		1		40169390		
054	266326-2	TAPPING SCREW 4X18		4		73181500		
055	188832-6	LEVER CASE SET		1		84679900		
D10		INC. 43						
060	126202-1	CLEANER COVER ASSEMBLY		1	*			
D10		INC. 61			*			
060-1	123499-3	CLEANER COVER ASSEMBLY	S	1		84679900		
D10		INC. 61						
061	265791-2	THUMB SCREW M4		1		73181500		

Model No. EN7350SH PETROL POLE HEDGE TRIMMER

Item	Parts No.	Description	I/C	QTY	N/O	Opt. 1	Opt. 2	NOTE
062	443171-4	AIR CLEANER ELEMENT		1		73182990		
063	443169-1	AIR CLEANER ELEMENT		1		73182990		
064	266871-7	H.S.BUTTON HEAD BOLT M5X60		2		73181500		
065	126198-6	CLEANER PLATE ASSEMBLY		1	*			
D10		INC. 66-68,223,224,232-234,231			*			
065-1	123501-2	CLEANER PLATE ASSEMBLY	S	1				
D10		INC. 66-68,223,224,232-234,231						
066	162346-3	SEPARATOR PLATE		1		73182990		
067	213540-1	O RING 15		1		40169320		
068	424316-3	CHECK VALVE		2		84818090		
069	422099-9	PIPE		1		40169390		
070	325665-0	JOINT PIPE		1		73182990		
071	442153-3	CARBURETOR GASKET		1		40169390		
072	266787-6	H.S.H.BOLT M5X18 WITH WR		2		73181500		
073	451825-9	CLAMP		1		73182990		
074	451729-5	INSULATOR		1		84679900		
075	213547-7	O-RING 12		1		40169320		
076	422109-2	BREATHER PIPE		1		40169390		
077	345918-1	HOSE CLAMP		1		73182990		
078	318745-9	ROCKER COVER OUTER		1		84679900		
079	922222-1	HEX. SOCKET HEAD BOLT M5X16		4		73181500		
080	453860-3	ROCKER COVER INNER		1		84679900		
081	162304-9	ROCKER COVER GASKET		1		40169390		
082	424302-4	PLUG CAP		1		40169390		
083	324891-8	PLUG CAP SPRING		1		73209090		
084	168534-0	SPARK PLUG		1		84679900		
085	125554-7	ROCKER ARM ASSEMBLY		2		84679900		
086	256200-2	PIN 5		1		73182990		
087	256865-0	ROD 2.5		2		73182990		
089	451735-0	CLUTCH CASE		1		84679900		
090	922228-9	H.S.H.BOLT M5X18 WITH WR		3		73181500		
091	450569-8	SPACER		1	*	84679900		
091-1	450569-8	SPACER	O	1		84679900		
092	961052-5	RETAINING RING S-12		1		73182990		
093	210111-5	BALL BEARING 6201LLU		1		84821090		
094	962151-6	RETAINING RING R-32		1		73182990		
095	168809-7	CLUTCH DRUM COMPLETE		1	*	84679900		
095-1	161588-6	CLUTCH DRUM COMPLETE	<	1				
096	266864-4	SHOULDER HEX. BOLT M6X25		2		73181500		
097	267817-6	WASHER 8		2		73182200		
098	126135-0	CLUTCH ASSEMBLY		1		84839000		
D10		INC. 99,100						
099	168498-8	CLUTCH SHOE		2	*			
099-1	161332-1	CLUTCH SHOE	O	2		84679900		
100	231881-3	TENSION SPRING 7		1		73209090		
101	267812-6	WASHER 6		2		73182200		
102	264039-9	CONED DISK SPRING HEXNUT M8-13		1	*	73209090		
102-1	264039-9	CONED DISK SPRING HEXNUT M8-13	<	1		73209090		

Model No. EN7350SH PETROL POLE HEDGE TRIMMER

Item	Parts No.	Description	I/C	QTY	N/O	Opt. 1	Opt. 2	NOTE
103	318569-3	FLYWHEEL		1		84679900		
104	444021-6	TUBE		1		40169390		
105	266602-4	HEX. SOCKET HEAD BOLT M4X20		2		73181500		
106	452049-0	SPACER		2		40169390		
107	168559-4	IGNITION COIL		1		84679900		
108	268238-5	PIN 5		1		73182990		
109	125552-1	CAM GEAR ASSEMBLY		1		84834000		
110	313169-4	CAM LIFTER		2		84679900		
112	268239-3	PIN 4		1		73182990		
113	162274-2	CAM GEAR COVER GASKET		1		40169390		
114	318443-5	CAM GEAR COVER		1		84679900		
115	922222-1	HEX. SOCKET HEAD BOLT M5X16		3		73181500		
116	135478-9	CYLINDER BLOCK ASSEMBLY		1	*	84679900		
D10		INC. 117			*			
116-1	135478-9	CYLINDER BLOCK ASSEMBLY	<	1		84679900		
D10		INC. 88,117,118						
117	922222-1	HEX. SOCKET HEAD BOLT M5X16		6		73181500		
118	424201-0	CHECK VALVE		2		84818090		
119	346331-6	MUFFLER GASKET		1		40169390		
120	168554-4	EXHAUST MUFFLER		1		84679900		
121	266440-4	HEX SOCKET HEAD BOLT M5X40		2		73181500		
122	168483-1	PULLEY		1		84679900		
123	451731-8	MUFFLER PLATE		1		84679900		
124	922218-2	H.S.H.BOLT M5X14 WITH WR		1		73181500		
125	638707-4	LEAD UNIT		1		84679900		
126	638708-2	LEAD UNIT		1		84679900		
128	922218-2	H.S.H.BOLT M5X14 WITH WR		1		73181500		
129	453266-5	CYLINDER COVER		1		84679900		
130	922218-2	H.S.H.BOLT M5X14 WITH WR		1		73181500		
131	424082-2	BUFFER RUBBER		1		40169390		
132	922211-6	HEX. SOCKET HEAD BOLT M5X12		1		73181500		
133	922226-3	HEX. SOCKET HEAD BOLT M5X18		2		73181500		
134	318249-1	PIPE HOLDER		1		84679900		
135	318250-6	PIPE HOLDER		1		84679900		
136	424083-0	BUFFER RUBBER		1		40169390		
137	424200-2	SPACER		2		84679900		
138	234108-0	COMPRESSION SPRING 9		2		73209090		
140	325669-2	EXHAUST VALVE		1	*	84818090		
140-1	326366-3	EXHAUST VALVE	O	1		84818090		
143	325670-7	INTAKE VALVE		1	*	84818090		
143-1	326367-1	INTAKE VALVE	O	1		84818090		
144	257298-2	PISTON RING (TOP) 34		1	*			
144-1	195145-8	PISTON RING SET	S	1		73182990		
145	257299-0	PISTON RING (SECOND) 34		1	*			
146	257300-1	PISTON RING 34		1	*			
147	318441-9	PISTON		1		84679900		
148	254040-2	WOODRUFF KEY 3		1		84679900		
149	126359-8	CRANK SHAFT ASSEMBLY		1	*	84679900		

Model No. EN7350SH PETROL POLE HEDGE TRIMMER

Item	Parts No.	Description	I/C	QTY	N/O	Opt. 1	Opt. 2	NOTE
D10		INC. 150-152			*			
149-1	123774-7	CRANK SHAFT ASSEMBLY	<	1				
D10		INC. 150-152						
150	213148-1	OIL SEAL 10		1	*	40169320		
150-1	213769-9	OIL SEAL 10	<	1		73209090		
151	267400-9	FLAT WASHER 23		1		73182200		
152	213147-3	OIL SEAL 12		1	*	40169320		
152-1	213089-1	OIL SEAL 12	<	1				
153	257781-9	PISTON PIN		1		73182990		
154	233976-8	CLIP		2		73209090		
155	162345-5	OIL CASE GASKET		1		40169390		
156	346083-9	LEAD VALVE		1		84818090		
157	318910-0	RETAINER PLATE		1		84679900		
158	922112-8	HEX. SOCKET HEAD BOLT M4X10		1		73181500		
159	318588-9	OIL CASE		1		40169390		
160	922222-1	HEX. SOCKET HEAD BOLT M5X16		4		73181500		
161	424344-8	DAMPER		1		84679900		
162	346305-7	GASKET		1		40169390		
163	266611-3	HEX BOLT M6X8		1		73181500		
164	213548-5	O-RING 20		1		40169320		
165	325665-0	JOINT PIPE		1		73182990		
166	282020-8	HOSE CLAMP		1	*	73182990		
166-1	282020-8	HOSE CLAMP	O	1		73182990		
167	325666-8	OIL WEIGHT		1	*	84679900		
167-1	325666-8	OIL WEIGHT	O	1		84679900		
168	424301-6	OIL TUBE		1	*	40169390		
168-1	125805-8	OIL TUBE ASSEMBLY	S	1				
C10	424301-6	OIL TUBE		1		40169390		
D10		INC. 166,167						
169	452047-4	OIL CAP		1		40169390		
170	424343-0	GASKET		1		40169390		
171	452048-2	OIL PIPE		1		40169390		
172	922218-2	H.S.H.BOLT M5X14 WITH WR		2		73181500		
173	125728-0	FUEL TANK CAP ASSEMBLY		1	*	84679900		
173-1	127112-5	FUEL TANK CAP ASSEMBLY	O	1				
175	168755-4	TUBE COMPLETE		1		40169390		
176	282020-8	HOSE CLAMP		1		73182990		
177	163518-3	GASOLINE FILTER		1		84679900		
178	451736-8	FUEL TANK		1		84679900		
179	424080-6	BUFFER RUBBER		2		40169390		
180	424081-4	BUFFER RUBBER		1		40169390		
181	451737-6	TANK GUARD		1		84679900		
182	922218-2	H.S.H.BOLT M5X14 WITH WR		4		73181500		
183	195308-6	RECOIL STARTER SET		1		84679900		
D10		INC. 122,184,185,187-193						
184	424319-7	STARTER KNOB		1		84679900		
185	424359-5	DAMPER		1		84679900		
187	266585-8	TAPPING SCREW 5X12		1		73181500		

Item	Parts No.	Description	I/C	QTY	N/O	Opt. 1	Opt. 2	NOTE
188	325923-4	SWING ARM		1		84679900		
189	451938-6	COLLAR		1		73182990		
190	451937-8	REEL		1		84679900		
191	232258-5	SPIRAL SPRING		1		73209090		
192	444023-2	STARTER ROPE		1		84679900		
193	451733-4	STARTER CASE		1		84679900		
194	922223-9	H.S.H.BOLT M5X16 WITH WR		4		73181500		
196	816565-0	MAKITA LOGO LABEL		1		83100090		
197	168762-7	CARBURETOR		1		84679900		
D10		INC. 198-207,209-214						
198	325922-6	SWIVEL		1		84679900		
199	413140-9	WASHER		1		73182200		
200	266581-6	PAN HEAD SCREW M3X8 WITH W		2	*	73181500		
200-1	WJ00096364	SCREW M3X8 WITH WASHER	O	2		73181500		
201	257964-1	STOP RING E-3		1		73182990		
202	213538-8	O RING 2		1		40169320		
203	325985-2	JET		1		84679900		
204	234183-6	CONICAL COMPRESSION SPRING 5-9		1		73209090		
205	442155-9	PUMP GASKET		1		40169390		
206	168575-6	PUMP DIAPHRAGM		1	*	84679900		
206-1	WJ00009599	PUMP DIAPHRAGM	O	1		40169390		
207	141737-1	PUMP BODY		1		84679900		
D10		INC. 208						
208	352021-1	INLET SCREEN		1		84679900		
209	442154-1	METERING DIAPHRAGM GASKET		1		40169390		
210	168620-7	METERING DIAPHRAGM		1		40169390		
211	140438-8	AIR PURGE BODY		1		84679900		
212	424314-7	PRIMER PUMP		1		84133090		
213	346270-0	PRIMER PUMP COVER		1		84679900		
214	266582-4	TAPPING SCREW 3X24		4		73181500		
215	810455-9	CAUTION PLATE		1				
216	800F73-7	INDICATION LABEL		1				
217	941151-9	FLAT WASHER 6		1		73182200		
218	443170-6	FELT		1		84679900		
223	266427-6	TAPPING SCREW 4X12		1		73181500		
224	452219-1	CHOKE PLATE		1		84679900		
231	452220-6	CHOKE LEVER		1		84679900		
232	266007-8	TAPPING SCREW BIND PT 3X10		1		73181500		
233	352020-3	SEPARATOR MESH		1		73182990		
234	453865-3	SEPARATOR CASE		1		84679900		
235	453862-9	OIL CASE PLATE		1		84679900		
236	346732-8	PLATE		1		73182990		
237	266887-2	H.L. SOCKET HEAD BOLT M4X17		1	*	73181500		
237-1	266927-6	H.L. SOCKET HEAD BOLT M4X20	S	1		73181500		
238	442199-9	GASKET		1		40169390		
239	931102-0	HEX. NUT M4		1		73181500		
240	346730-2	HOLDER		1	*	73182990		
240-1	346730-2	HOLDER	S	1		73182990		

Item	Parts No.	Description	I/C	QTY	N/O	Opt. 1	Opt. 2	NOTE
251	962103-7	RETAINING RING R-24		1		73182990		
252	961005-4	RETAINING RING S-9		1		73182990		
253	210049-4	BALL BEARING 609ZZ		1		84821090		
254	227608-7	SPIRAL BEVEL GEAR 10		1		84679900		
255	922241-7	HEX. SOCKET HEAD BOLT M5X25		1		73181500		
256	922211-6	HEX. SOCKET HEAD BOLT M5X12		1		73181500		
257	141941-2	GEAR HOUSING COMPLETE		1		84679900		
C10	263002-9	RUBBER PIN 4		1		40169390		
258	266818-1	HEX. SOCKET HEX. BOLT M8X8		1		73181500		
259	264090-9	HEX. NUT M5-8		2		73181600		
260	266832-7	BINDING HEAD SCREW M5X8		2		73181500		
261	346662-3	PLATE		1		82078000		
262	915211-3	BINDING HEAD SCREW M5X12		5				
264	210049-4	BALL BEARING 609ZZ		1		84821090		
265	326257-8	SPINDLE		1		84679900		
266	227609-5	SPIRAL BEVEL GEAR 47		1		84679900		
267	211067-5	BALL BEARING 6200ZZ		1		84821090		
268	318972-8	BEARING HOUSING		1		84833000		
269	265490-6	HEX. SOCKET HEAD BOLT M4X16		4		73181500		
270	346658-4	PLATE		1		82078000		
271	346251-4	CONNECTING ROD		1		73182990		
272	332055-0	CRANK		1		84831099		
273	346251-4	CONNECTING ROD		1		73182990		
274	346256-4	HOLDER		1		82078000		
275	922256-4	HEX. SOCKET HEAD BOLT M5X35		2		73181500		
276	443159-4	SEAL		1		40169390		
277	346658-4	PLATE		1		82078000		
278	423457-2	GASKET		1		40169390		
279	318973-6	UNDER COVER		1		84679900		
280	922126-7	HEX. SOCKET HEAD BOLT M4X16		6		73181500		
281	332060-7	GUIDE BAR		1				
282	264089-4	HEX. LOCK NUT M6-10		5		73181600		
283	346667-3	PLATE		1				
284	725185-8	SHEAR BLADE A		1				
285	313195-3	SLEEVE 5		2		73182990		
286	725186-6	SHEAR BLADE B		1				
287	346667-3	PLATE		1				
288	266824-6	H.S. BUTTON HEAD BOLT M6X20		5		73181500		
289	346668-1	END COVER		1				
290	451866-5	CHIP RECEIVER		1				
A01	195500-4	OIL SET		1	*			
A01-1	197007-6	OIL SET	O	1				
A02	782233-6	BOX DRIVER 10-16		1		84679900		
A03	783223-2	HEX. WRENCH 4		1		82041120		
A04	451868-1	BLADE COVER		1				
A05	831304-7	ACCESSORY BAG		1		42022990		