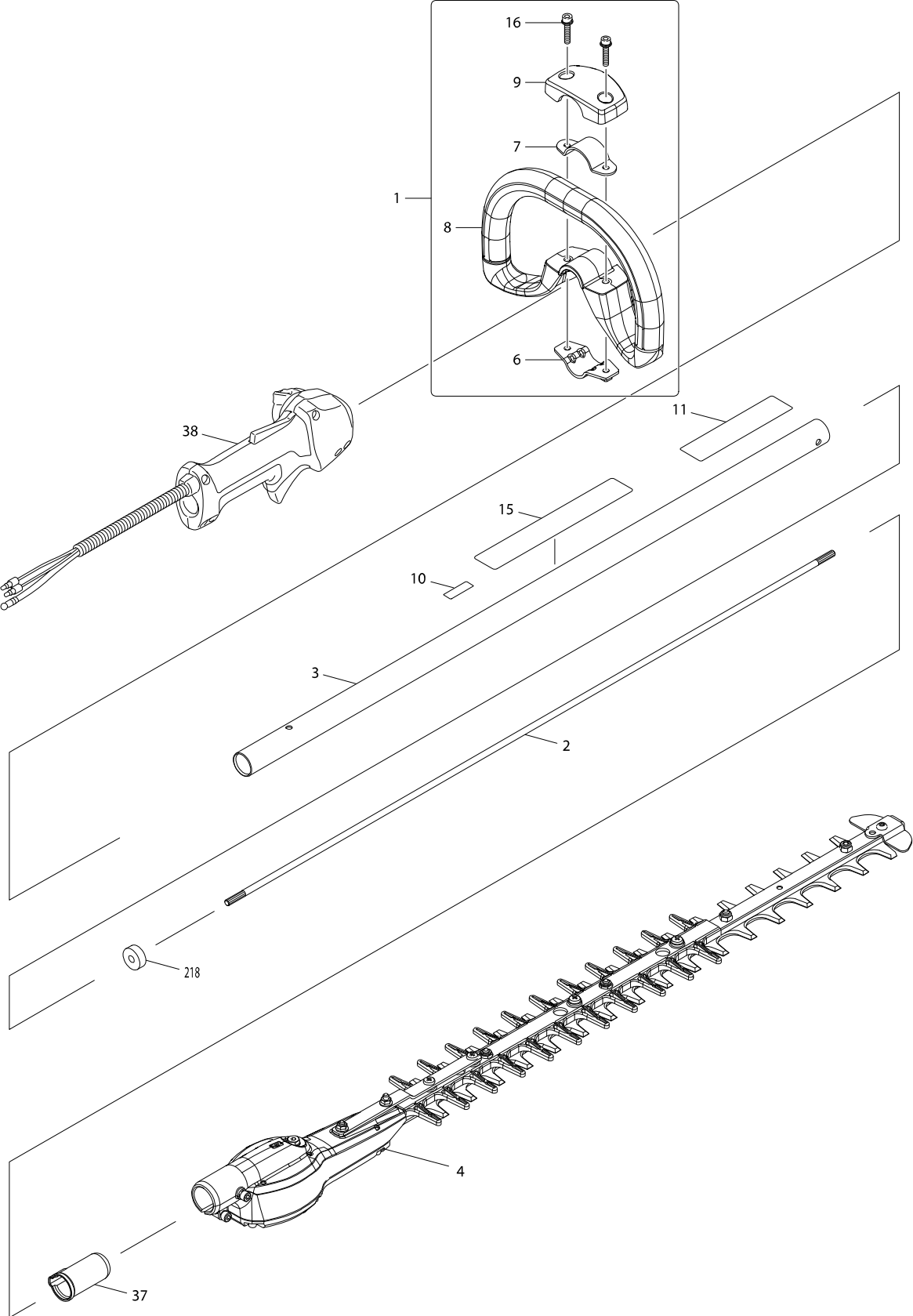
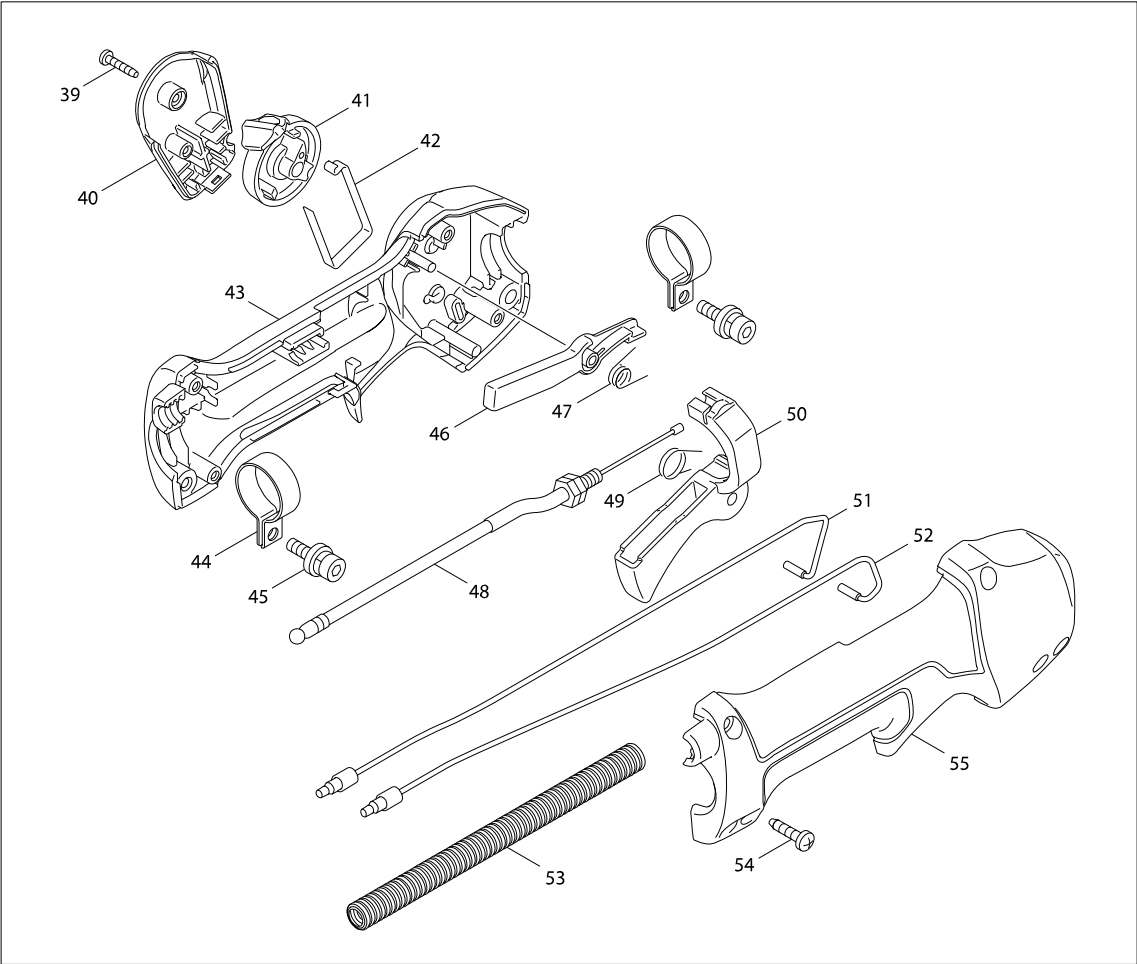


Model No. EN5950SH PETROL POLE HEDGE TRIMMER

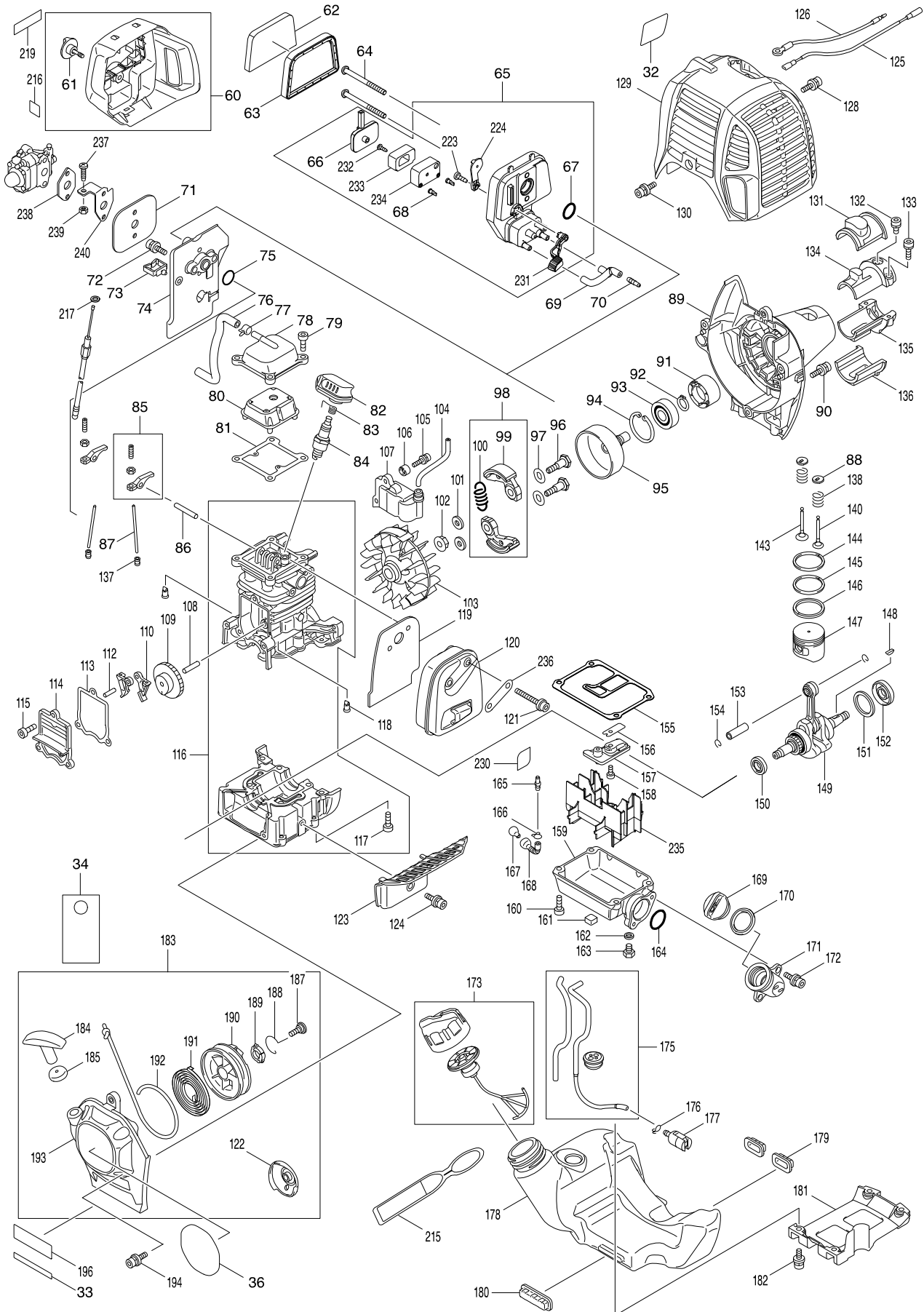


Model No. EN5950SH PETROL POLE HEDGE TRIMMER



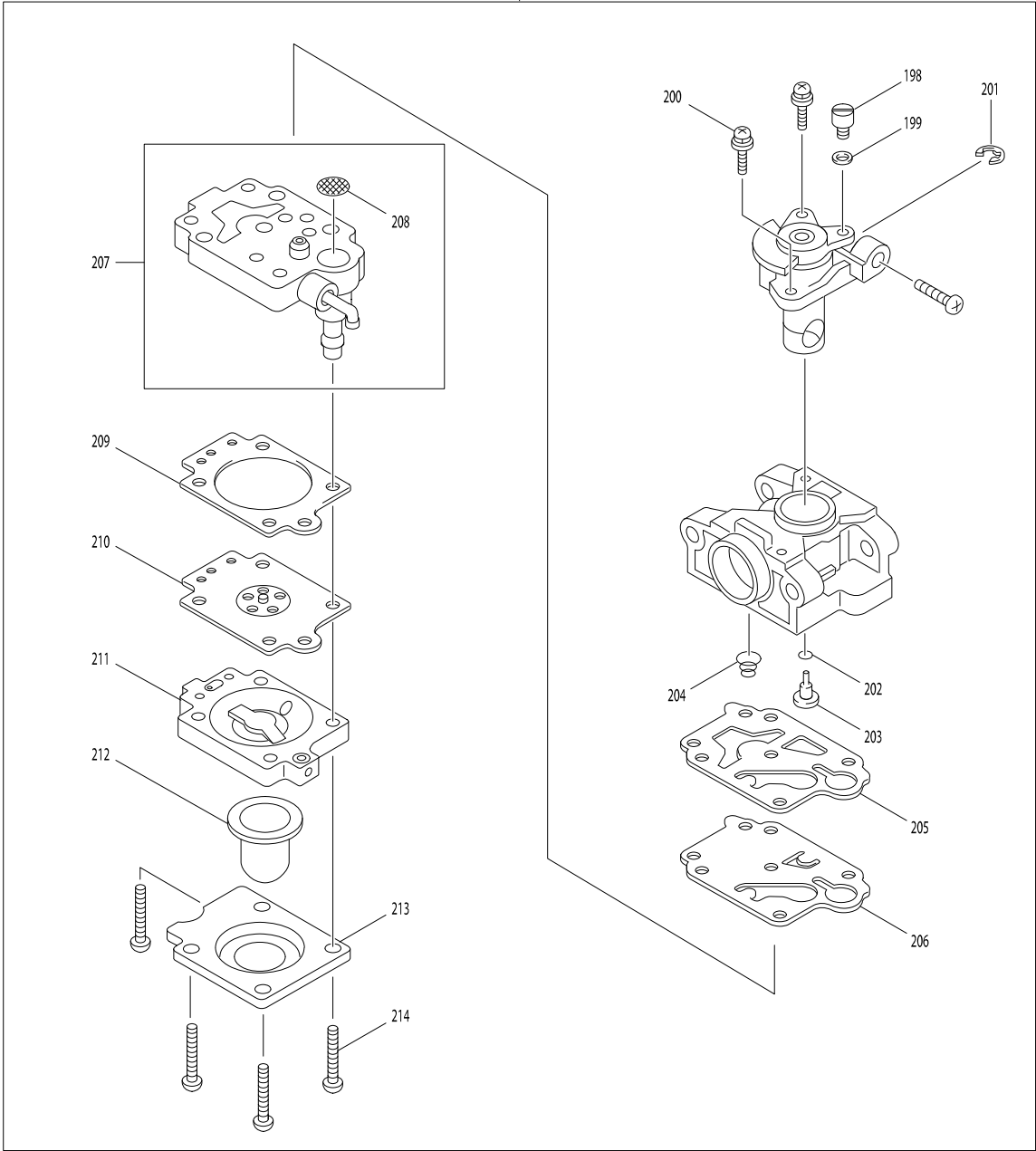
38

# Model No. EN5950SH PETROL POLE HEDGE TRIMMER

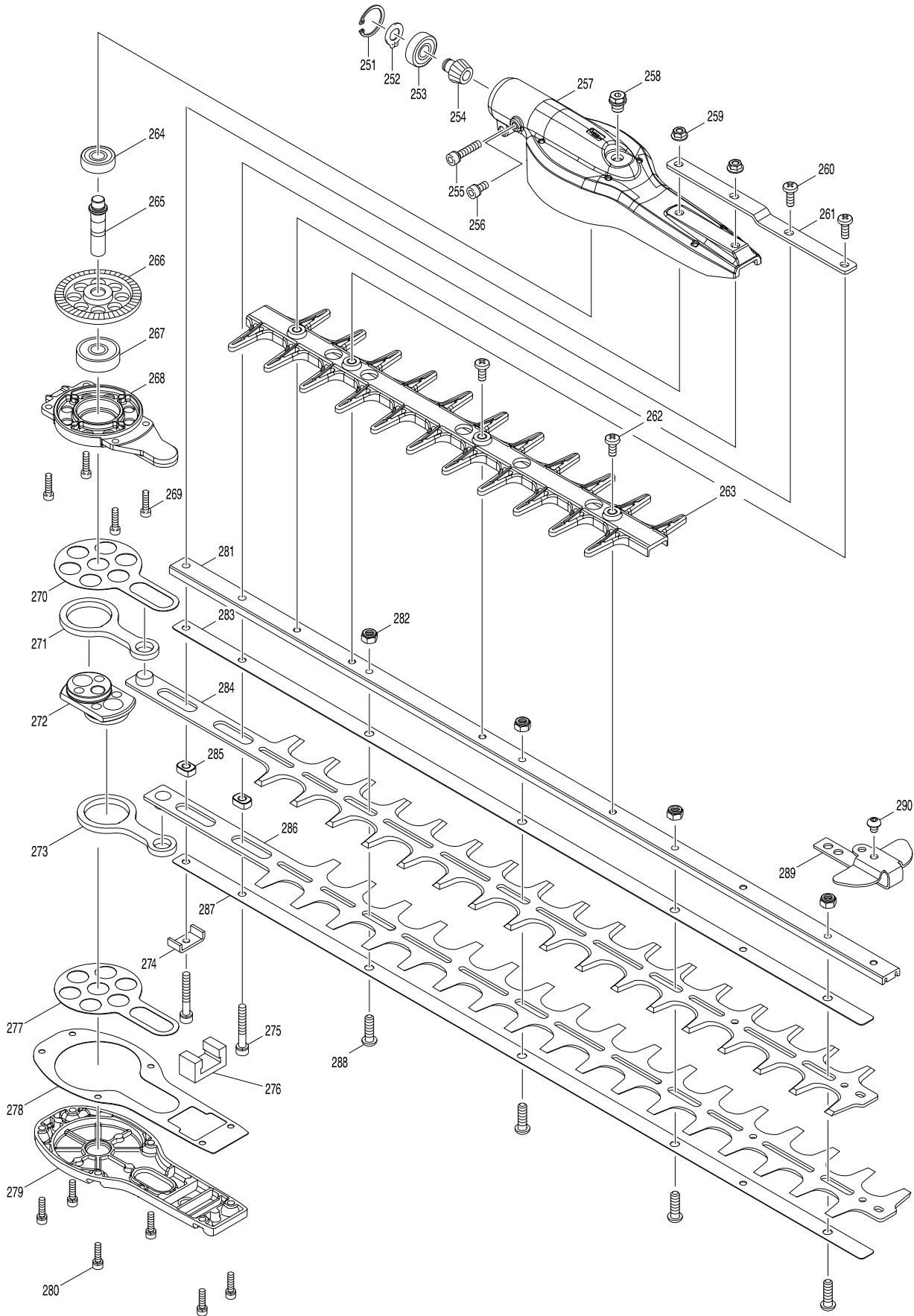


Model No. EN5950SH PETROL POLE HEDGE TRIMMER

197



# Model No. EN5950SH PETROL POLE HEDGE TRIMMER



# Model No. EN5950SH PETROL POLE HEDGE TRIMMER

Item	Parts No.	Description	I/C	QTY	N/O	Opt. 1	Opt. 2	NOTE
001	195626-2	LOOP HANDLE SET		1		84679900		
D10		INC. 6-9,16						
002	326036-4	SHAFT		1		84831099		
003	141961-6	SHAFT PIPE COMPLETE		1		84679900		
004	126281-9	TRIMMER HEAD ASSEMBLY		1	*			
004-1	135544-2	TRIMMER HEAD ASSEMBLY	O	1		84679900		
006	346467-1	CLAMP 24		1	*	73182200		
006-1	347094-7	CLAMP 24	O	1				
007	346468-9	CLAMP 33		1		73182200		
008	452841-4	LOOP HANDLE		1		84679900		
009	452843-0	CLAMP COVER B		1		73182990		
010	814E64-6	SERIAL NO. LABEL		1		83100090		
011	819312-8	MAKITA LOGO LABEL		1		83100090		
015	801C58-8	CAUTION LABEL		1		39199090		
016	922243-3	HEX. SOCKET HEAD BOLT M5X25		2		73181500		
033	816567-6	SERIAL NO. LABEL		1				
034	819432-8	CAUTION TAG		1		83100090		
036	800X34-5	EN5950SH MODEL NO. LABEL		1		39199090		
037	424434-7	CAP 24		1		40169390		
038	125776-9	CONTROL LEVER ASSEMBLY		1	*			
D10		INC. 39-55			*			
038-1	126488-7	CONTROL LEVER ASSEMBLY	<	1		84679900		
D10		INC. 39-55						
039	266130-9	TAPPING SCREW BIND PT 3X16		1		73181500		
040	451595-0	SWITCH COVER		1		39269099		
041	451594-2	SWITCH LEVER		1		39269099		
042	232251-9	LEAF SPRING		1		73209090		
043	188832-6	LEVER CASE SET		1		84679900		
D10		INC. 55						
044	346248-3	CLAMP 24		2		73182200		
045	922218-2	H.S.H.BOLT M5X14 WITH WR		2		73181500		
046	451593-4	LOCK LEVER		1		73182990		
047	233541-3	TORSION SPRING 7		1		73209090		
048	168571-4	CONTROL CABLE		1		85442090		
049	233540-5	TORSION SPRING 11		1		73209090		
050	451592-6	THROTTLE LEVER		1	*			
050-1	455313-8	THROTTLE LEVER	<	1		84679900		
051	638714-7	LEAD UNIT		1		84679900		
052	638713-9	LEAD UNIT		1		84679900		
053	452071-7	CORRUGATE TUBE		1		40169390		
054	266326-2	TAPPING SCREW 4X18		4		73181500		
055	188832-6	LEVER CASE SET		1		84679900		
D10		INC. 43						
060	126202-1	CLEANER COVER ASSEMBLY		1	*			
D10		INC. 61			*			
060-1	123499-3	CLEANER COVER ASSEMBLY	S	1		84679900		
D10		INC. 61						
061	265791-2	THUMB SCREW M4		1		73181500		

# Model No. EN5950SH PETROL POLE HEDGE TRIMMER

Item	Parts No.	Description	I/C	QTY	N/O	Opt. 1	Opt. 2	NOTE
062	443171-4	AIR CLEANER ELEMENT		1		73182990		
063	443169-1	AIR CLEANER ELEMENT		1		73182990		
064	266871-7	H.S.BUTTON HEAD BOLT M5X60		2		73181500		
065	126198-6	CLEANER PLATE ASSEMBLY		1	*			
D10		INC. 66-68,223,224,231-234			*			
065-1	123501-2	CLEANER PLATE ASSEMBLY	S	1				
D10		INC. 66-68,223,224,231-234						
066	162346-3	SEPARATOR PLATE		1		73182990		
067	213540-1	O RING 15		1		40169320		
068	424316-3	CHECK VALVE		2		84818090		
069	422099-9	PIPE		1		40169390		
070	325665-0	JOINT PIPE		1		73182990		
071	442153-3	CARBURETOR GASKET		1		40169390		
072	266787-6	H.S.H.BOLT M5X18 WITH WR		2		73181500		
073	451825-9	CLAMP		1		73182990		
074	451729-5	INSULATOR		1		84679900		
075	213547-7	O-RING 12		1		40169320		
076	422109-2	BREATHER PIPE		1		40169390		
077	345918-1	HOSE CLAMP		1		73182990		
078	318745-9	ROCKER COVER OUTER		1		84679900		
079	922222-1	HEX. SOCKET HEAD BOLT M5X16		4		73181500		
080	453860-3	ROCKER COVER INNER		1		84679900		
081	162304-9	ROCKER COVER GASKET		1		40169390		
082	424302-4	PLUG CAP		1		40169390		
083	324891-8	PLUG CAP SPRING		1		73209090		
084	168534-0	SPARK PLUG		1		84679900		
085	125554-7	ROCKER ARM ASSEMBLY		2		84679900		
086	256200-2	PIN 5		1		73182990		
087	256865-0	ROD 2.5		2		73182990		
088	325668-4	SPRING RETAINER		2		84679900		
089	451735-0	CLUTCH CASE		1		84679900		
090	922228-9	H.S.H.BOLT M5X18 WITH WR		3		73181500		
091	450569-8	SPACER		1	*	84679900		
091-1	450569-8	SPACER	O	1		84679900		
092	961052-5	RETAINING RING S-12		1		73182990		
093	210111-5	BALL BEARING 6201LLU		1		84821090		
094	962151-6	RETAINING RING R-32		1		73182990		
095	168809-7	CLUTCH DRUM COMPLETE		1	*	84679900		
095-1	161588-6	CLUTCH DRUM COMPLETE	<	1				
096	266864-4	SHOULDER HEX. BOLT M6X25		2		73181500		
097	267817-6	WASHER 8		2		73182200		
098	126135-0	CLUTCH ASSEMBLY		1		84839000		
D10		INC. 99,100						
099	168498-8	CLUTCH SHOE		2	*			
099-1	161332-1	CLUTCH SHOE	O	2		84679900		
100	231881-3	TENSION SPRING 7		1		73209090		
101	267812-6	WASHER 6		2		73182200		
102	264039-9	CONED DISK SPRING HEXNUT M8-13		1	*	73209090		

# Model No. EN5950SH PETROL POLE HEDGE TRIMMER

Item	Parts No.	Description	I/C	QTY	N/O	Opt. 1	Opt. 2	NOTE
102-1	264039-9	CONED DISK SPRING HEXNUT M8-13	<	1		73209090		
103	318569-3	FLYWHEEL		1		84679900		
104	444021-6	TUBE		1		40169390		
105	266602-4	HEX. SOCKET HEAD BOLT M4X20		2		73181500		
106	452049-0	SPACER		2		40169390		
107	168559-4	IGNITION COIL		1		84679900		
108	268238-5	PIN 5		1		73182990		
109	125552-1	CAM GEAR ASSEMBLY		1		84834000		
110	313169-4	CAM LIFTER		2		84679900		
112	268239-3	PIN 4		1		73182990		
113	162274-2	CAM GEAR COVER GASKET		1		40169390		
114	318443-5	CAM GEAR COVER		1		84679900		
115	922222-1	HEX. SOCKET HEAD BOLT M5X16		3		73181500		
116	135478-9	CYLINDER BLOCK ASSEMBLY		1	*	84679900		
D10		INC. 117			*			
116-1	135478-9	CYLINDER BLOCK ASSEMBLY	<	1		84679900		
D10		INC. 88,117,118						
117	922222-1	HEX. SOCKET HEAD BOLT M5X16		6		73181500		
118	424201-0	CHECK VALVE		2		84818090		
119	346331-6	MUFFLER GASKET		1		40169390		
120	168554-4	EXHAUST MUFFLER		1		84679900		
121	266440-4	HEX SOCKET HEAD BOLT M5X40		2		73181500		
122	168483-1	PULLEY		1		84679900		
123	451731-8	MUFFLER PLATE		1		84679900		
124	922218-2	H.S.H.BOLT M5X14 WITH WR		1		73181500		
125	638707-4	LEAD UNIT		1		84679900		
126	638708-2	LEAD UNIT		1		84679900		
128	922218-2	H.S.H.BOLT M5X14 WITH WR		1		73181500		
129	453266-5	CYLINDER COVER		1		84679900		
130	922218-2	H.S.H.BOLT M5X14 WITH WR		1		73181500		
131	424082-2	BUFFER RUBBER		1		40169390		
132	922211-6	HEX. SOCKET HEAD BOLT M5X12		1		73181500		
133	922226-3	HEX. SOCKET HEAD BOLT M5X18		2		73181500		
134	318249-1	PIPE HOLDER		1		84679900		
135	318250-6	PIPE HOLDER		1		84679900		
136	424083-0	BUFFER RUBBER		1		40169390		
137	424200-2	SPACER		2		84679900		
138	234108-0	COMPRESSION SPRING 9		2		73209090		
140	325669-2	EXHAUST VALVE		1	*	84818090		
140-1	326366-3	EXHAUST VALVE	O	1		84818090		
143	325670-7	INTAKE VALVE		1	*	84818090		
143-1	326367-1	INTAKE VALVE	O	1		84818090		
144	195145-8	PISTON RING SET		1		73182990		
147	318441-9	PISTON		1		84679900		
148	254040-2	WOODRUFF KEY 3		1		84679900		
149	126359-8	CRANK SHAFT ASSEMBLY		1	*	84679900		
D10		INC. 150-152			*			
149-1	123774-7	CRANK SHAFT ASSEMBLY	<	1				



# Model No. EN5950SH PETROL POLE HEDGE TRIMMER

Item	Parts No.	Description	I/C	QTY	N/O	Opt. 1	Opt. 2	NOTE
D10		INC. 150-152						
150	213148-1	OIL SEAL 10		1	*	40169320		
150-1	213769-9	OIL SEAL 10	<	1		73209090		
151	267400-9	FLAT WASHER 23		1		73182200		
152	213147-3	OIL SEAL 12		1	*	40169320		
152-1	213089-1	OIL SEAL 12	<	1				
153	257781-9	PISTON PIN		1		73182990		
154	233976-8	CLIP		2		73209090		
155	162345-5	OIL CASE GASKET		1		40169390		
156	346083-9	LEAD VALVE		1		84818090		
157	318910-0	RETAINER PLATE		1		84679900		
158	922112-8	HEX. SOCKET HEAD BOLT M4X10		1		73181500		
159	318588-9	OIL CASE		1		40169390		
160	922222-1	HEX. SOCKET HEAD BOLT M5X16		4		73181500		
161	424344-8	DAMPER		1		84679900		
162	346305-7	GASKET		1		40169390		
163	266611-3	HEX BOLT M6X8		1		73181500		
164	213548-5	O-RING 20		1		40169320		
165	325665-0	JOINT PIPE		1		73182990		
166	282020-8	HOSE CLAMP		1	*	73182990		
166-1	282020-8	HOSE CLAMP	O	1		73182990		
167	325666-8	OIL WEIGHT		1	*	84679900		
167-1	325666-8	OIL WEIGHT	O	1		84679900		
168	424301-6	OIL TUBE		1	*	40169390		
168-1	125805-8	OIL TUBE ASSEMBLY	S	1				
C10	424301-6	OIL TUBE		1		40169390		
D10		INC. 166,167						
169	452047-4	OIL CAP		1		40169390		
170	424343-0	GASKET		1		40169390		
171	452048-2	OIL PIPE		1		40169390		
172	922218-2	H.S.H.BOLT M5X14 WITH WR		2		73181500		
173	125728-0	FUEL TANK CAP ASSEMBLY		1	*	84679900		
173-1	127112-5	FUEL TANK CAP ASSEMBLY	O	1				
175	168755-4	TUBE COMPLETE		1		40169390		
176	282020-8	HOSE CLAMP		1		73182990		
177	163518-3	GASOLINE FILTER		1		84679900		
178	451736-8	FUEL TANK		1		84679900		
179	424080-6	BUFFER RUBBER		2		40169390		
180	424081-4	BUFFER RUBBER		1		40169390		
181	451737-6	TANK GUARD		1		84679900		
182	922218-2	H.S.H.BOLT M5X14 WITH WR		4		73181500		
183	195308-6	RECOIL STARTER SET		1		84679900		
D10		INC. 122,184,185,187-193						
184	424319-7	STARTER KNOB		1		84679900		
185	424359-5	DAMPER		1		84679900		
187	266585-8	TAPPING SCREW 5X12		1		73181500		
188	325923-4	SWING ARM		1		84679900		
189	451938-6	COLLAR		1		73182990		

# Model No. EN5950SH PETROL POLE HEDGE TRIMMER

Item	Parts No.	Description	I/C	QTY	N/O	Opt. 1	Opt. 2	NOTE
190	451937-8	REEL		1		84679900		
191	232258-5	SPIRAL SPRING		1		73209090		
192	444023-2	STARTER ROPE		1		84679900		
193	451733-4	STARTER CASE		1		84679900		
194	922223-9	H.S.H.BOLT M5X16 WITH WR		4		73181500		
196	816565-0	MAKITA LOGO LABEL		1		83100090		
197	168762-7	CARBURETOR		1		84679900		
D10		INC. 198-207,209-214						
198	325922-6	SWIVEL		1		84679900		
199	413140-9	WASHER		1		73182200		
200	266581-6	PAN HEAD SCREW M3X8 WITH W		2	*	73181500		
200-1	WJ00096364	SCREW M3X8 WITH WASHER	O	2		73181500		
201	257964-1	STOP RING E-3		1		73182990		
202	213538-8	O RING 2		1		40169320		
203	325985-2	JET		1		84679900		
204	234183-6	CONICAL COMPRESSION SPRING 5-9		1		73209090		
205	442155-9	PUMP GASKET		1		40169390		
206	168575-6	PUMP DIAPHRAGM		1	*	84679900		
206-1	WJ00009599	PUMP DIAPHRAGM	O	1		40169390		
207	141737-1	PUMP BODY		1		84679900		
D10		INC. 208						
208	352021-1	INLET SCREEN		1		84679900		
209	442154-1	METERING DIAPHRAGM GASKET		1		40169390		
210	168620-7	METERING DIAPHRAGM		1		40169390		
211	140438-8	AIR PURGE BODY		1		84679900		
212	424314-7	PRIMER PUMP		1		84133090		
213	346270-0	PRIMER PUMP COVER		1		84679900		
214	266582-4	TAPPING SCREW 3X24		4		73181500		
215	810455-9	CAUTION PLATE		1				
216	800F73-7	INDICATION LABEL		1				
217	941151-9	FLAT WASHER 6		1		73182200		
218	443170-6	FELT		1		84679900		
223	266427-6	TAPPING SCREW 4X12		1		73181500		
224	452219-1	CHOKE PLATE		1		84679900		
231	452220-6	CHOKE LEVER		1		84679900		
232	266007-8	TAPPING SCREW BIND PT 3X10		1		73181500		
233	352020-3	SEPARATOR MESH		1		73182990		
234	453865-3	SEPARATOR CASE		1		84679900		
235	453862-9	OIL CASE PLATE		1		84679900		
236	346732-8	PLATE		1		73182990		
237	266887-2	H.L. SOCKET HEAD BOLT M4X17		1	*	73181500		
237-1	266927-6	H.L. SOCKET HEAD BOLT M4X20	S	1		73181500		
238	442199-9	GASKET		1		40169390		
239	931102-0	HEX. NUT M4		1		73181500		
240	346730-2	HOLDER		1	*	73182990		
240-1	346730-2	HOLDER	S	1		73182990		
251	962103-7	RETAINING RING R-24		1		73182990		
252	961005-4	RETAINING RING S-9		1		73182990		

