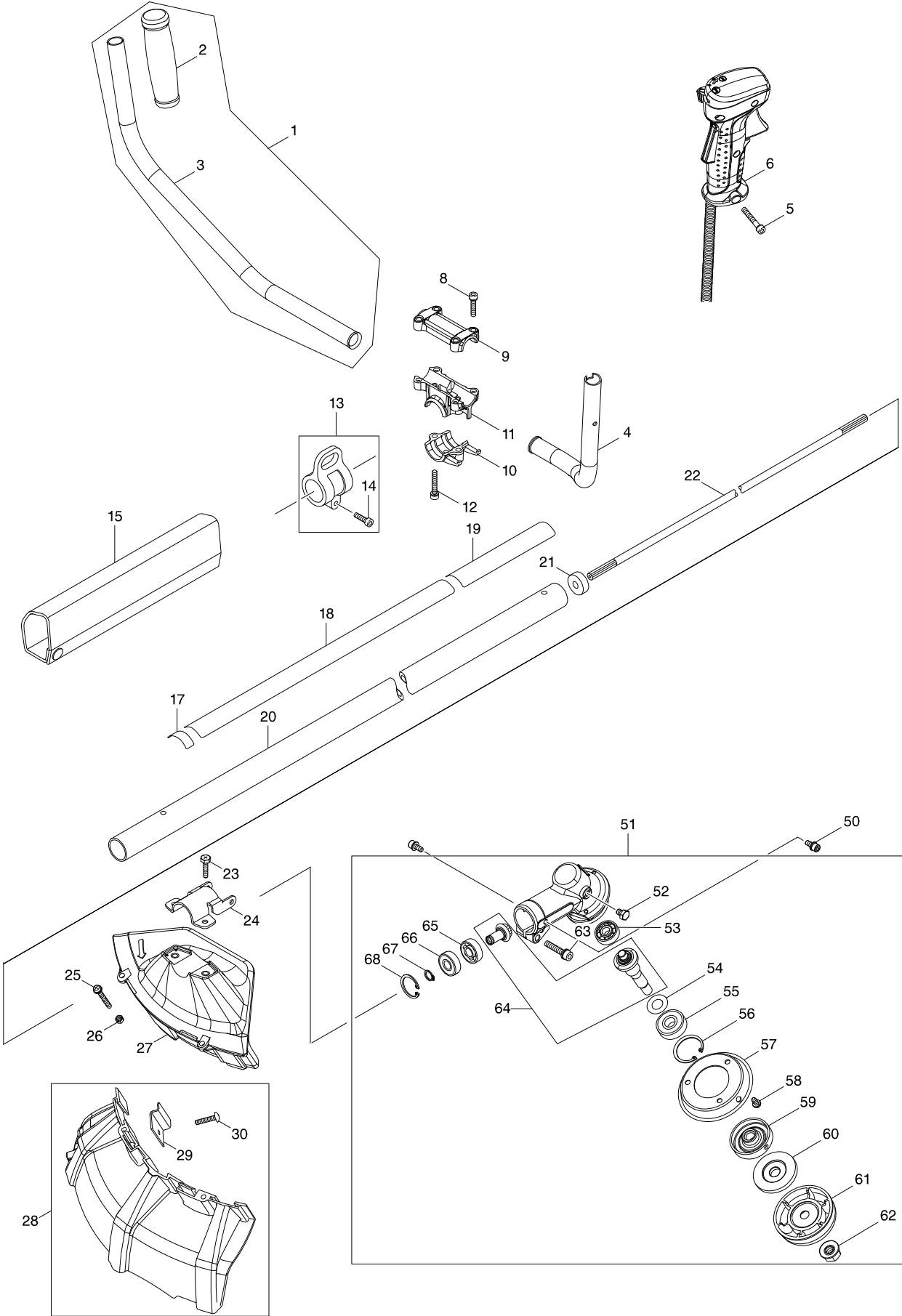
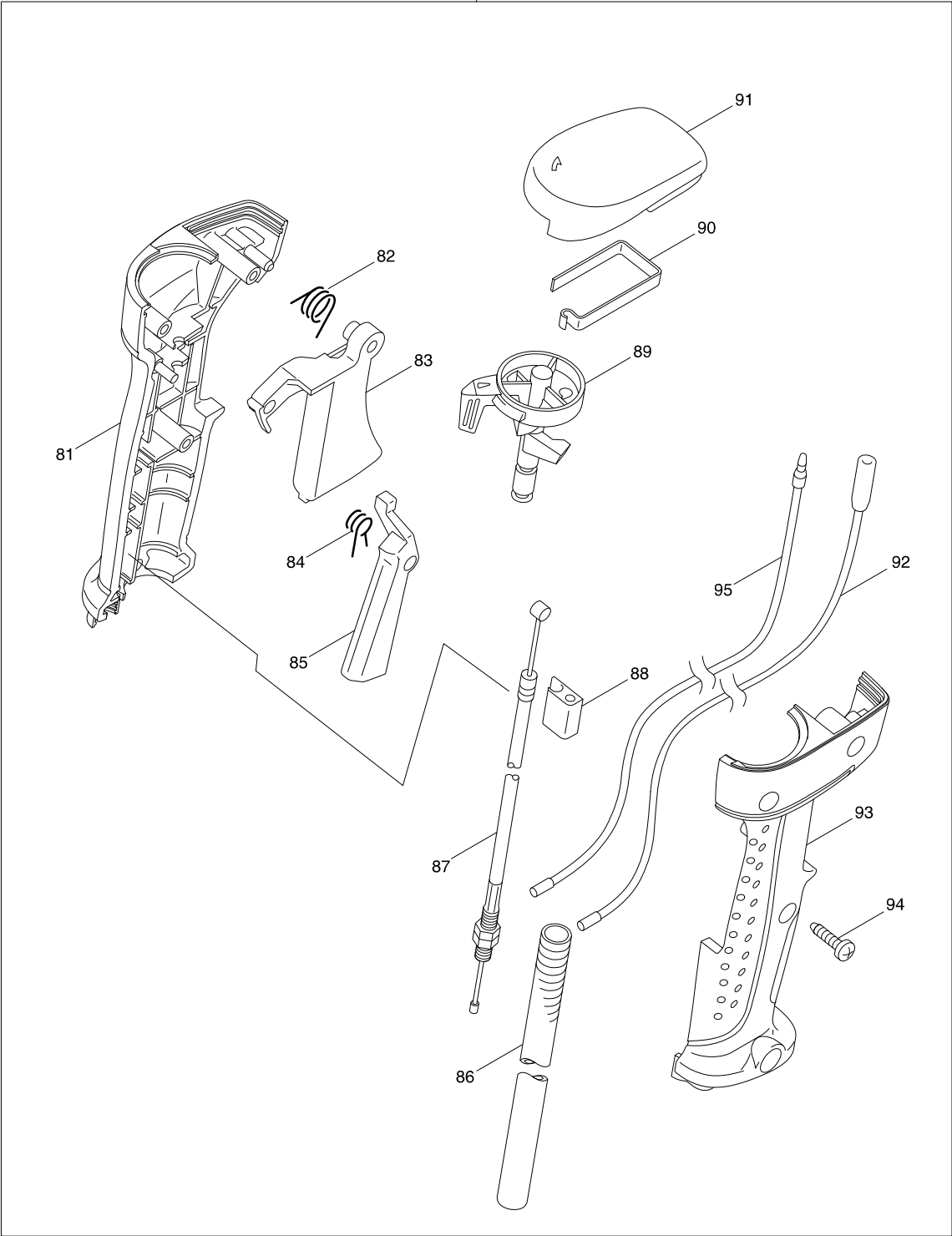


Model No. EM3400U PETROL BRUSH CUTTER

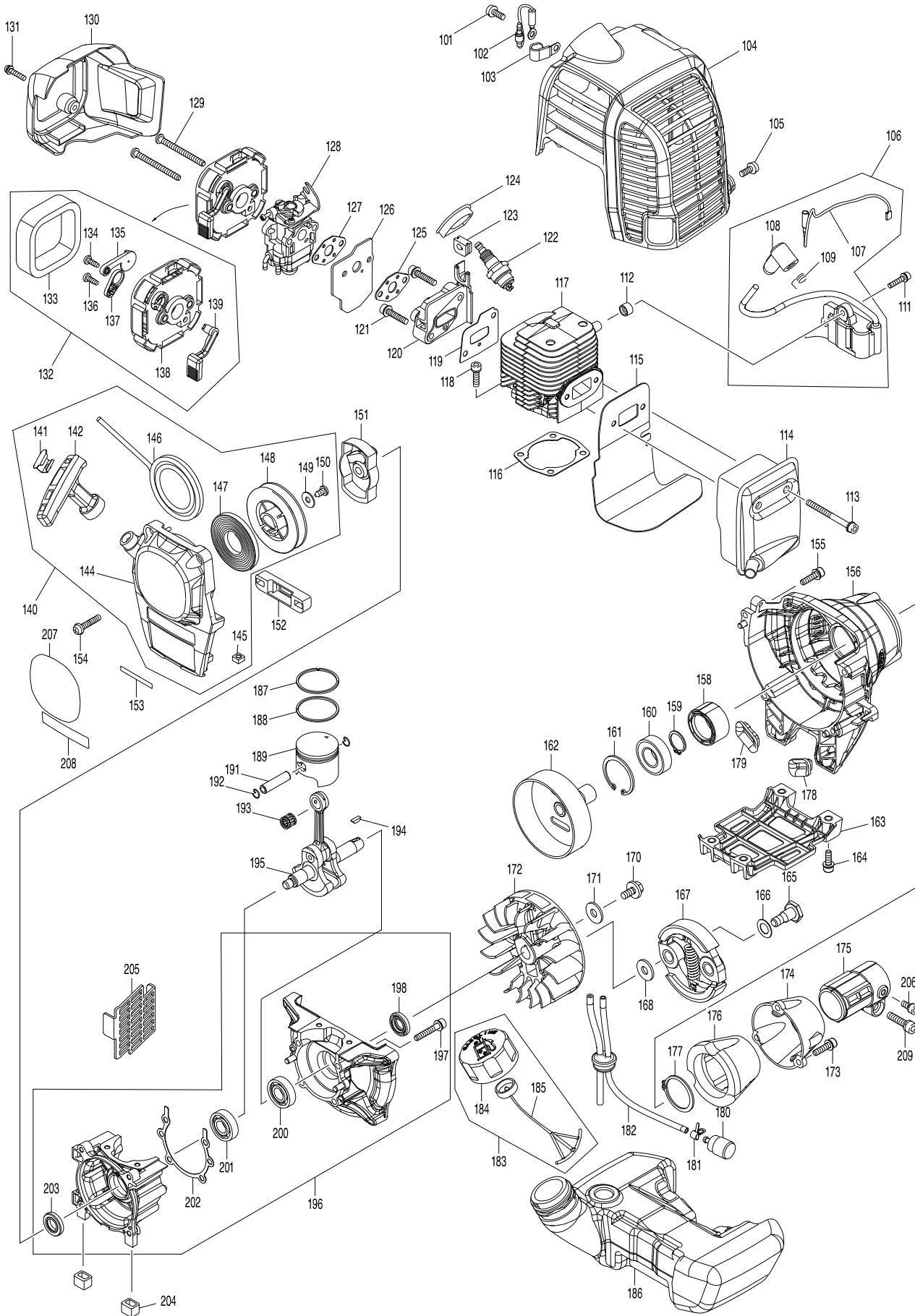


Model No. EM3400U PETROL BRUSH CUTTER

6

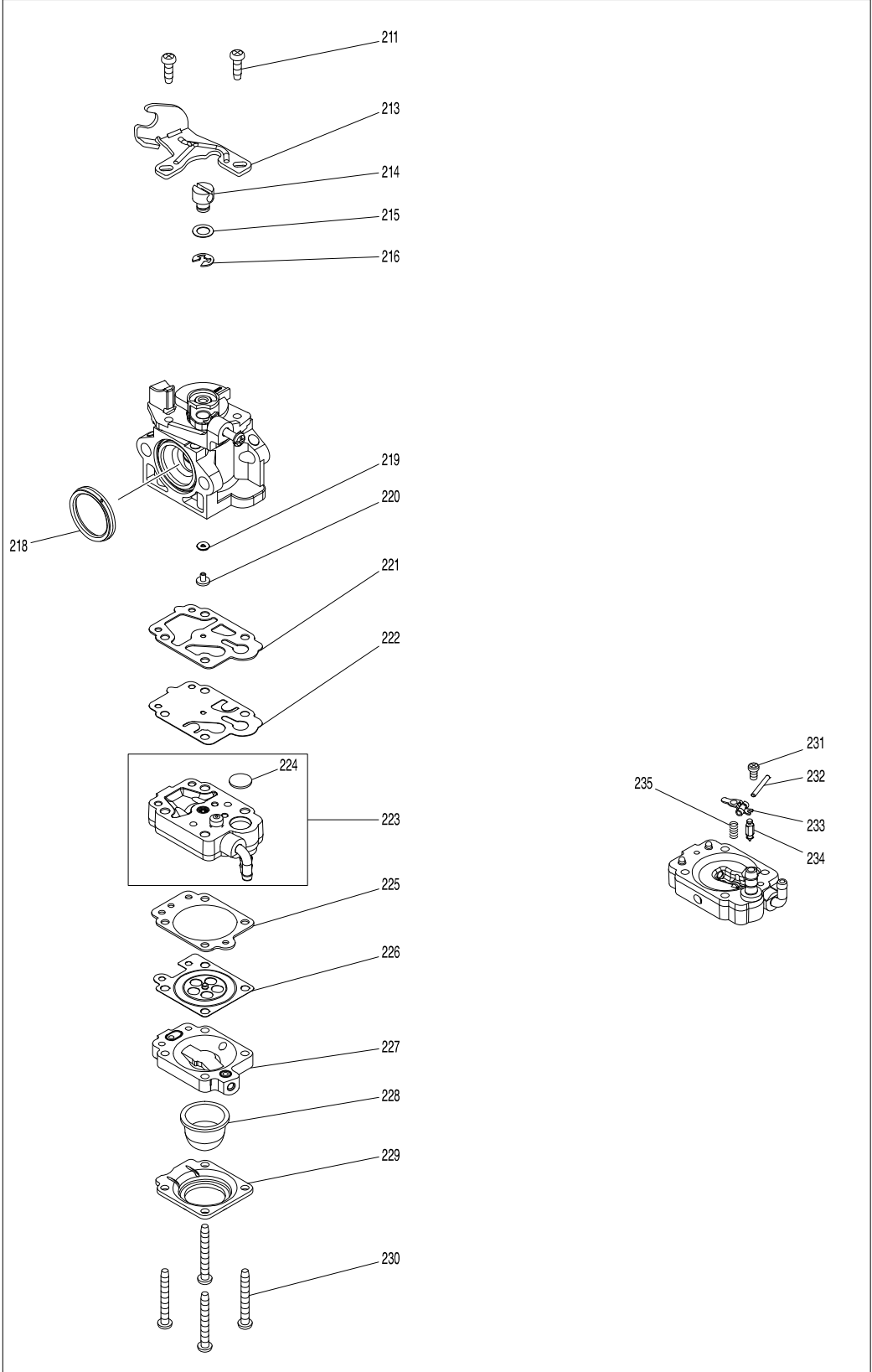


# Model No. EM3400U PETROL BRUSH CUTTER



Model No. EM3400U PETROL BRUSH CUTTER

128



# Model No. EM3400U PETROL BRUSH CUTTER

Item	Parts No.	Description	I/C	QTY	N/O	Opt. 1	Opt. 2	NOTE
001	143046-4	HANDLE COMPLETE		1		84679900		
D10		INC. 2						
002	273526-7	GRIP 18		1		40169390		
004	332123-9	HANDLE 19		1		84679900		
005	922256-4	HEX. SOCKET HEAD BOLT M5X35		1		73181500		
006	126504-5	CONTROL LEVER ASS'Y		1		84679900		
D10		INC. 81-95						
008	922241-7	HEX. SOCKET HEAD BOLT M5X25		4		73181500		
009	318272-6	HANDLE HOLDER 1		1		84679900		
010	318669-9	HANDLE HOLDER 2		1		84679900		
011	318670-4	HANDLE HOLDER 3		1		84679900		
012	922341-3	HEX. SOCKET HEAD BOLT M6X25		2		73181500		
013	125558-9	HANGER ASSEMBLY		1		84679900		
C10	931202-6	HEX. NUT M5		1		73181500		
D10		INC. 14						
014	922232-8	HEX. SOCKET HEAD BOLT M5X20		1		73181500		
015	168613-4	CUSHION		1		40169390		
017	814E64-6	SERIAL NO. LABEL		1		83100090		
018	805C76-8	CAUTION LABEL		1		39199090		
019	819312-8	MAKITA LOGO LABEL		1		83100090		
020	142837-0	SHAFT PIPE COMPLETE		1		73182990		
021	443146-3	FELT RING 8		1		40169390		
022	325675-7	SHAFT		1		84831099		
023	266617-1	CROSS-RECESSED HEAD BOLT M6X2		2		73181500		
024	346973-6	PROTECTOR CLAMP		1		73182990		
025	911263-2	PAN HEAD SCREW M5X40		2		73181500		
026	264035-7	HEX. NUT M5		2		73181600		
027	451878-8	PROTECTOR		1		84679900		
028	140424-9	PROTECTOR COMPLETE		1		84679900		
D10		INC. 29,30						
029	346262-9	CUTTER		1		84679900		
030	266574-3	TAPPING SCREW 5X25		1		73181500		
050	922213-2	H.S.H.BOLT M5X12 WITH WR		2		73181500		
051	126506-1	GEAR CASE ASSYMBLY		1		84679900		
D10		INC. 52-68						
052	KC00000014	HEX BOLT M6X8		1		73181500		
053	KC00000009	BALL BEARING 629		1		84821090		
054	KC00000008	PLATE		1		73182990		
055	KC00000012	BALL BEARING 6201DDU		1		84821090		
056	KC00000005	RETAINING RING R-32		1		73182990		
057	KC00000003	GUARD		1		84679900		
058	KC00000007	P.H.SCREW M4X20 WITH W		3		73181500		
059	KC00000013	RECEIVE WASHER		1		73182200		
060	KC00000004	CLAMP WASHER		1		73182200		
061	168526-9	CUP		1		84679900		
062	KC00000016	HEX NUT M10		1		73181600		
063	KC00000015	HEX. SOCKET HEAD BOLT M6X30 WR		1		73181500		
064	KC00000017	CUTTER SHAFT SET		1		84834000		

# Model No. EM3400U PETROL BRUSH CUTTER

Item	Parts No.	Description	I/C	QTY	N/O	Opt. 1	Opt. 2	NOTE
065	KC00000011	BALL BEARING 6000		1		84821090		
066	KC00000010	BALL BEARING 6000Z		1		84821090		
067	KC00000006	RETAINING RING S-10		1		73182990		
068	257988-7	RETAINING RING (INT) R-26		1		73182990		
081	183A10-9	LEVER CASE SET		1		84679900		
C10	252180-0	HEX. LOCK NUT M5-8		1		73181500		
D10		INC. 93						
082	233540-5	TORSION SPRING 11		1		73209090		
083	451084-5	THROTTLE LEVER		1		84679900		
084	233541-3	TORSION SPRING 7		1		73209090		
085	451083-7	LOCK OFF LEVER		1		84679900		
086	456084-0	CORRUGATE TUBE		1		40169390		
087	168867-3	CONTROL CABLE		1		85442090		
088	451081-1	CABLE HOLDER		1		84679900		
089	451500-7	SWITCH LEVER		1		39269099		
090	232251-9	LEAF SPRING		1		73209090		
091	455723-9	SWITCH COVER		1		39269099		
092	638706-6	LEAD UNIT		1		84679900		
093	183A10-9	LEVER CASE SET		1		84679900		
C10	252180-0	HEX. LOCK NUT M5-8		1		73181500		
D10		INC. 81						
094	266326-2	TAPPING SCREW 4X18		3		73181500		
095	638705-8	LEAD UNIT		1		84679900		
101	911218-7	PAN HEAD SCREW M5X14		1		73181500		
102	632D74-3	LEAD UNIT		1		84679900		
103	345963-6	CLAMP		1		73182990		
104	455371-4	CYLINDER COVER		1		84679900		
105	911218-7	PAN HEAD SCREW M5X14		1		73181500		
106	126418-8	IGNITION COIL ASSEMBLY		1		84679900		
D10		INC. 107-109						
107	ZG00000001	WIRE		1		85442090		
108	ZG00000002	CAP,PLUG		1		40169390		
109	ZG00000003	SPRING,PLUG CAP		1		40169390		
111	922138-0	H.S.H.BOLT M4X20 WITH WR		2		73181500		
112	452049-0	SPACER		2		40169390		
113	266917-9	HEX. SOCKET HEAD BOLT M5X55		2		73181500		
114	165754-7	EXHAUST MUFFLER		1		84679900		
115	346829-3	MUFFLER GASKET		1		40169390		
116	442208-4	CYLINDER GASKET		1		40169390		
117	319133-3	CYLINDER		1		84679900		
118	922231-0	HEX. SOCKET HEAD BOLT M5X20		4		73181500		
119	442210-7	INSULATOR GASKET		1		40169390		
120	455378-0	INSULATOR		1		84679900		
121	922243-3	HEX. SOCKET HEAD BOLT M5X25		2		73181500		
122	168648-5	SPARK PLUG (BPMR7A)		1		84679900		
123	424491-5	GROMMET		1		40169390		
124	424656-9	PLUG CAP COVER		1		84679900		
125	442177-9	GASKET AIR CLEANER		1		40169390		

# Model No. EM3400U PETROL BRUSH CUTTER

Item	Parts No.	Description	I/C	QTY	N/O	Opt. 1	Opt. 2	NOTE
126	346591-0	CARBURETOR PLATE		1		84679900		
127	442177-9	GASKET AIR CLEANER		1		40169390		
128	168864-9	CARBURETOR		1		84679900		
D10		INC. 211,213-216,218-235						
129	0043105550	SCREW M5X55		2				
130	455377-2	AIR CLEANER COVER		1		73182990		
131	911138-5	PAN HEAD SCREW M4X20		1		73181500		
132	126502-9	AIR CLEANER PLATE ASSEMBLY		1		84679900		
D10		INC. 133-139						
133	443194-2	AIR CLEANER ELEMENT		1		73182990		
134	ZH00000001	TAPPING SCREW CT 4X12		1		84679900		
135	455374-8	CHOKE PLATE		1		73182990		
136	ZH00000001	TAPPING SCREW CT 4X12		1		84679900		
137	455376-4	AIR CLEANER CHECK PLATE		1		73182990		
138	455373-0	AIR CLEANER PLATE		1		73182990		
139	455375-6	CHOKE LEVER		1		73182990		
140	126501-1	RECOIL STARTER ASSEMBLY		1		84679900		
D10		INC. 141,142,144-150						
141	JL03007287	PLATE		1		84679900		
142	JL03007280	STARTER KNOB		1		84679900		
144	JL03007281	STARTER CASE COMPLETE		1		84679900		
145	JL12650113	NUT		2		73181600		
146	JL03007284	STARTER ROPE		1		84679900		
147	JL03007282	SPIRAL SPRING		1		73229090		
148	JL03007283	REEL		1		84679900		
149	JL03007285	WASHER		1	*			
149-1	JL03007288	SET SCREW	<	1		73181500		
D10		INC. 150						
150	JL03007286	TAPPING SCREW		1	*			
150-1	JL03007288	SET SCREW	<	1		73181500		
D10		INC. 149						
151	168863-1	PULLEY		1		84679900		
152	424657-7	DAMPER		1		84679900		
153	850G87-2	SERIAL NO. LABEL		1				
154	911243-8	PAN HEAD SCREW M5X25		4		73181500		
155	922233-6	HEX SOCKET HEAD BOLT M5X20		4		73181500		
156	143321-8	CLUTCH CASE COMPLETE		1		73262090		
158	451157-4	SPACER		1		84679900		
159	961057-5	RETAINING RING S-17		1		73182990		
160	210126-2	BALL BEARING 6003LLU		1		84821090		
161	962153-2	RETAINING RING R-35		1		73182990		
162	165577-3	CLUTCH DRUM		1		84679900		
163	455370-6	TANK GUARD		1		84679900		
164	922223-9	H.S.H.BOLT M5X16 WITH WR		4		73181500		
165	266571-9	SHOULDER HEX. BOLT M8X23		2		73181500		
166	267849-3	WAVE WASHER 10		2		73182200		
167	125757-3	CLUTCH ASSEMBLY		1	*	84839000		
167-1	125757-3	CLUTCH ASSEMBLY	O	1		84839000		

# Model No. EM3400U PETROL BRUSH CUTTER

Item	Parts No.	Description	I/C	QTY	N/O	Opt. 1	Opt. 2	NOTE
C10	AN04002000	CLUTCH SHOE		2		84679900		
C20	AN02010C00	TENSION SPRING 9		1		73209090		
168	253762-1	FLAT WASHER 8		2		84679900		
170	266596-3	HEX. HEAD BOLT M6X16 WITH W		1		73181500		
171	267427-9	FLAT WASHER 7		1		73182200		
172	319137-5	FLYWHEEL		1		84679900		
173	922233-6	HEX SOCKET HEAD BOLT M5X20		3		73181500		
174	318453-2	PIPE RETAINER		1		84679900		
175	318454-0	PIPE BRACKET		1		84679900		
176	424204-4	DAMPER		1		84679900		
177	961151-3	RETAINING RING S-32		1		73182990		
178	424103-0	PLATE		1		84679900		
179	424102-2	PLATE		1		84679900		
180	163447-0	FUEL FILTER		1	*	84679900		
180-1	163447-0	FUEL FILTER	O	1		84679900		
181	345920-4	HOSE CLAMP		1		73182990		
182	126503-7	FUEL TUBE ASSEMBLY		1		84679900		
184	452920-8	FUEL TANK CAP		1		84679900		
186	455379-8	FUEL TANK		1		84679900		
187	257359-8	PISTON RING		2		73182990		
189	319136-7	PISTON		1		84679900		
191	268337-3	PISTON PIN 8		1		73182990		
192	233976-8	CLIP		2		73209090		
193	212702-8	NEEDLE CAGE 810		1		73182990		
194	254040-2	WOODRUFF KEY 3		1		84679900		
195	142542-9	CRANKSHAFT COMPLETE		1		84831099		
196	135647-2	CRANK CASE ASSY		1		84679900		
D10		INC. 197,198,200-203						
197	922253-0	H.S.H.BOLT M5X30 WITH WR		4		73181500		
198	213628-7	OIL SEAL		1		40169320		
200	210113-1	BALL BEARING 6001		1		84821090		
201	210113-1	BALL BEARING 6001		1		84821090		
202	442209-2	CRANK CASE GASKET		1		40169390		
203	213628-7	OIL SEAL		1		40169320		
204	424446-0	DAMPER		2		84679900		
205	455372-2	GUARD		1		73182990		
206	922213-2	H.S.H.BOLT M5X12 WITH WR		1		73181500		
207	805C68-7	EM3400U MODEL NO. LABEL		1		39199090		
208	805C80-7	MAKITA LOGO LABEL		1		39199090		
209	922341-3	HEX. SOCKET HEAD BOLT M6X25		1		73181500		
211	266704-6	PAN HEAD SCREW M3X10		2		73181500		
213	346588-9	BRACKET,CABLE		1		85442090		
214	325922-6	SWIVEL		1		84679900		
215	413140-9	WASHER		1		73182200		
216	257964-1	STOP RING E-3		1		73182990		
218	424444-4	PACKING RING		1		40169390		
219	WJ00016104	O RING		1		40169390		
220	WJ00112288	JET		1		84679900		



Item	Parts No.	Description	I/C	QTY	N/O	Opt. 1	Opt. 2	NOTE
221	442155-9	PUMP GASKET		1		40169390		
222	168575-6	PUMP DIAPHRAGM		1	*	84679900		
222-1	WJ00009599	PUMP DIAPHRAGM	O	1		40169390		
223	140989-1	PUMP BODY ASSEMBLY		1		84679900		
224	352010-6	INLET SCREEN		1	*	84679900		
224-1	WJ00014070	INLET SCREEN	O	1		84679900		
225	442154-1	METERING DIAPHRAGM GASKET		1		40169390		
226	168620-7	METERING DIAPHRAGM		1		40169390		
227	140988-3	AIR PURGE BODY ASSEMBLY		1		84679900		
228	424314-7	PRIMER PUMP		1		84133090		
229	346270-0	PRIMER PUMP COVER		1		84679900		
230	266582-4	TAPPING SCREW 3X24		4		73181500		
231	WJ00096424	SCREW		1		73181500		
232	WJ00014477	METERING LEVER PIN		1		73182990		
233	WJ00016648	LEVER		1		73182990		
234	WJ00008282	INLET NEEDLE VALVE		1		84818090		
235	WJ00983160	SPRING		1		73209090		
A01	125802-4	BAND ASSEMBLY		1		84679900		
A02	161341-0	TRIMMER HEAD ASSEMBLY 102-M10L		1		84679900		
D10		COMPO-PARTS						
A03	195624-6	CUTTER BLADE 305 SET		1		82029990		
A05	782235-2	WRENCH 17-19		1	*	82041120		
A05-1	782031-8	WRENCH 17-19	<	1				
A06	783223-2	HEX. WRENCH 4		1		82041120		
A07	831304-7	ACCESSORY BAG		1		42022990		
A10	452193-3	CLAMP		1		73182990		