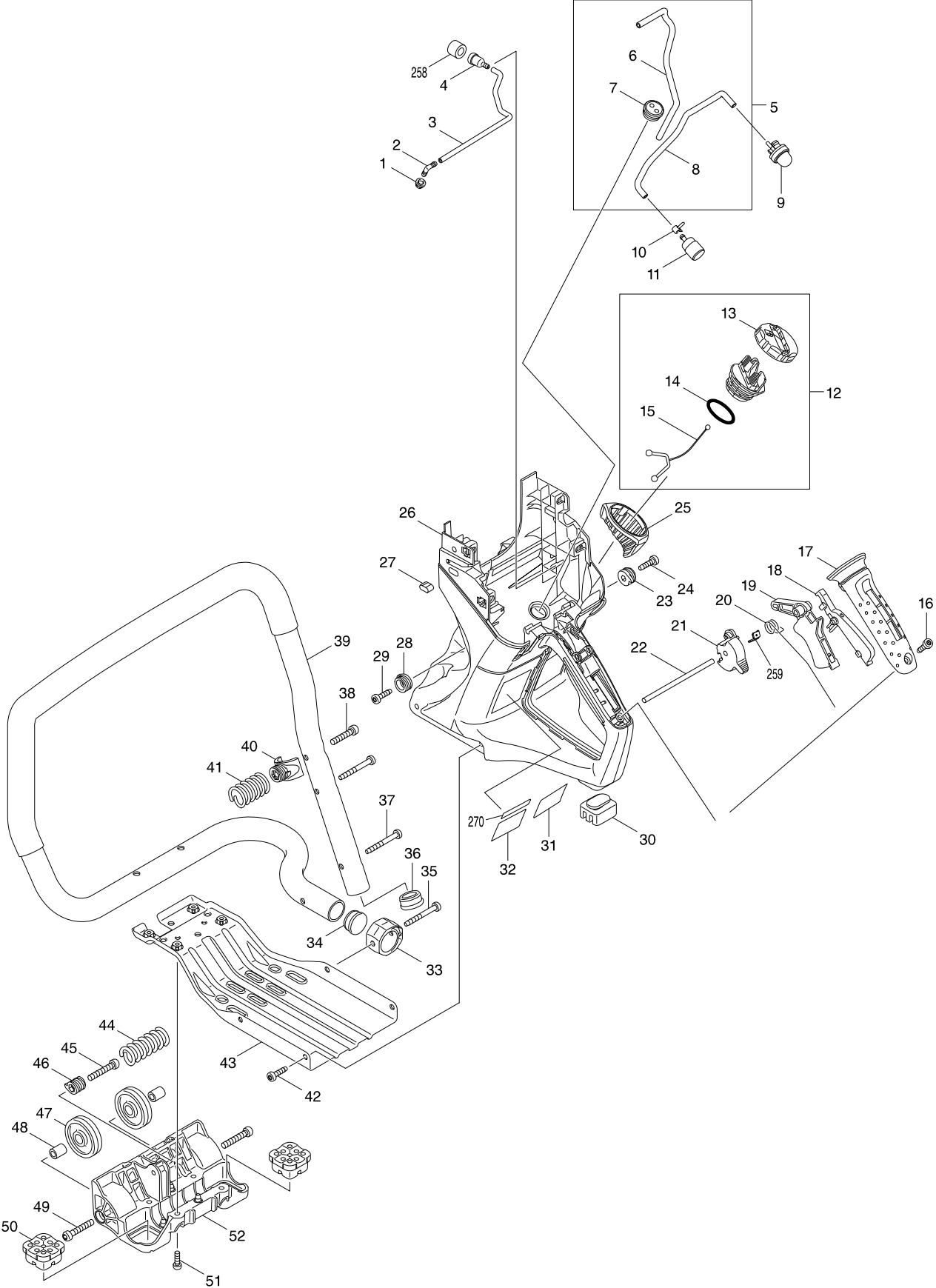
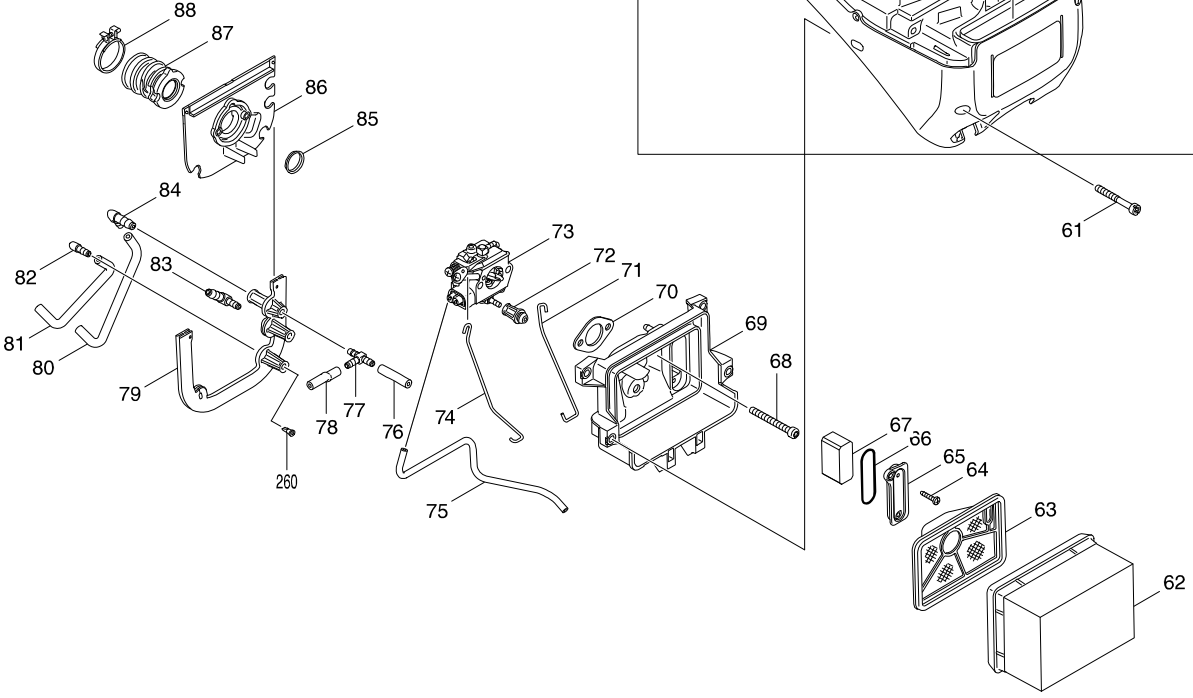
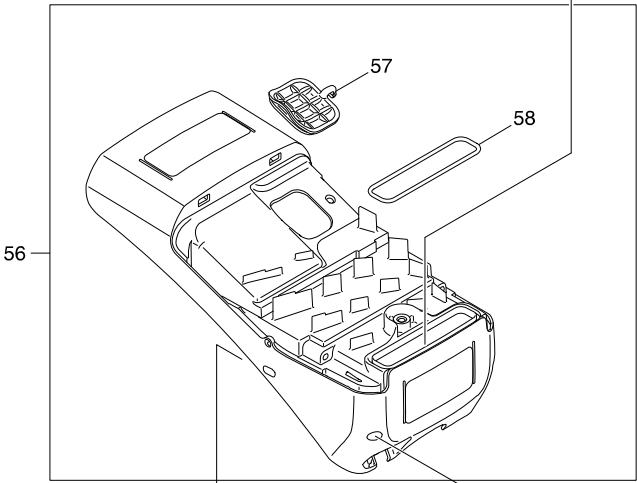
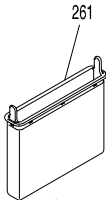
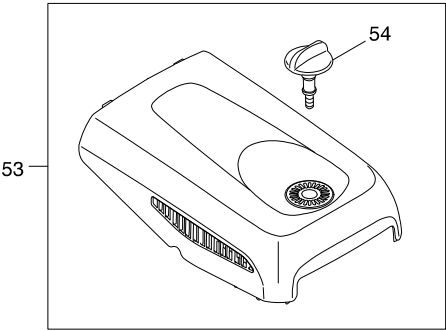


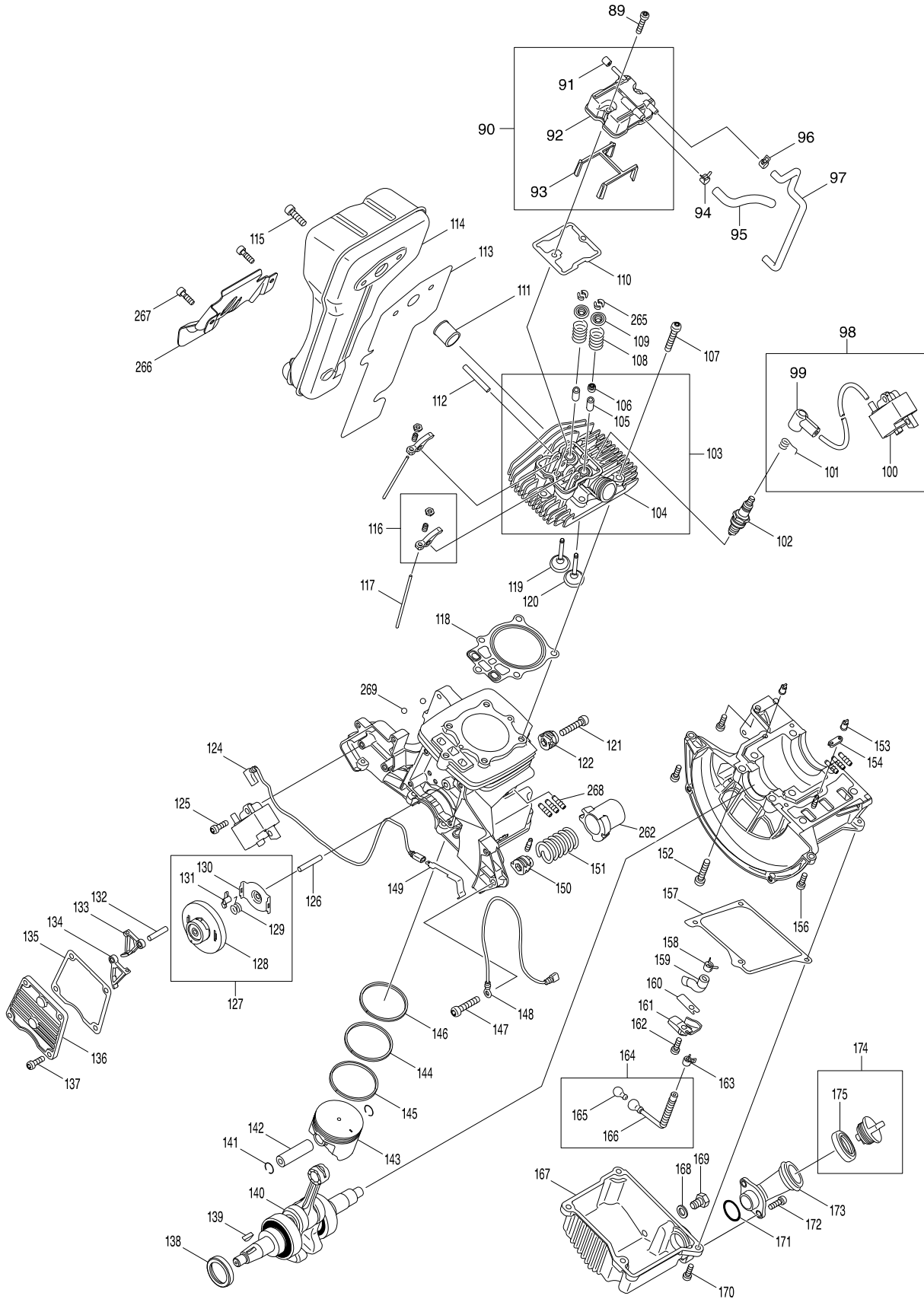
Model No. EK7651H POWER CUTTER



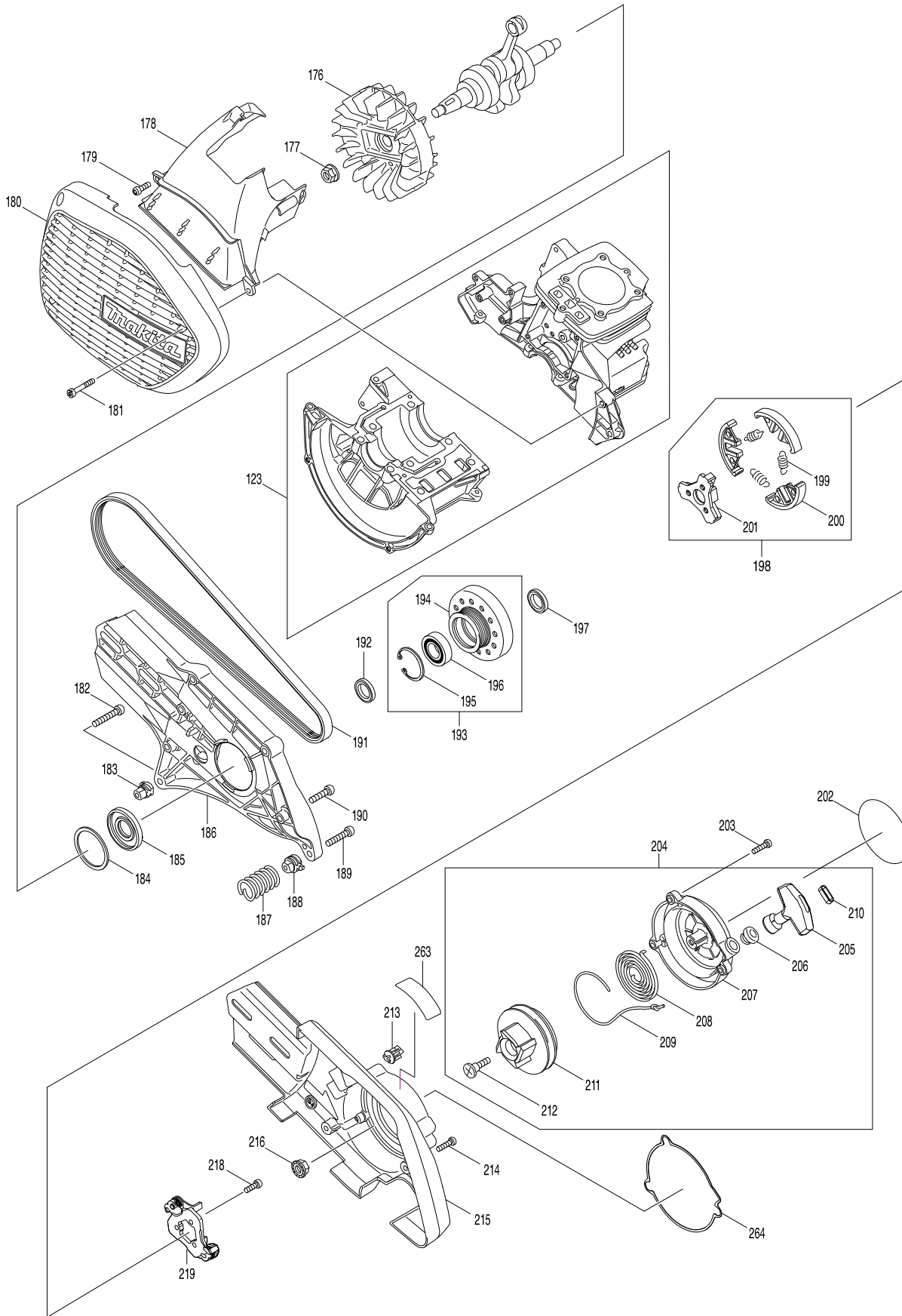
Model No. EK7651H POWER CUTTER



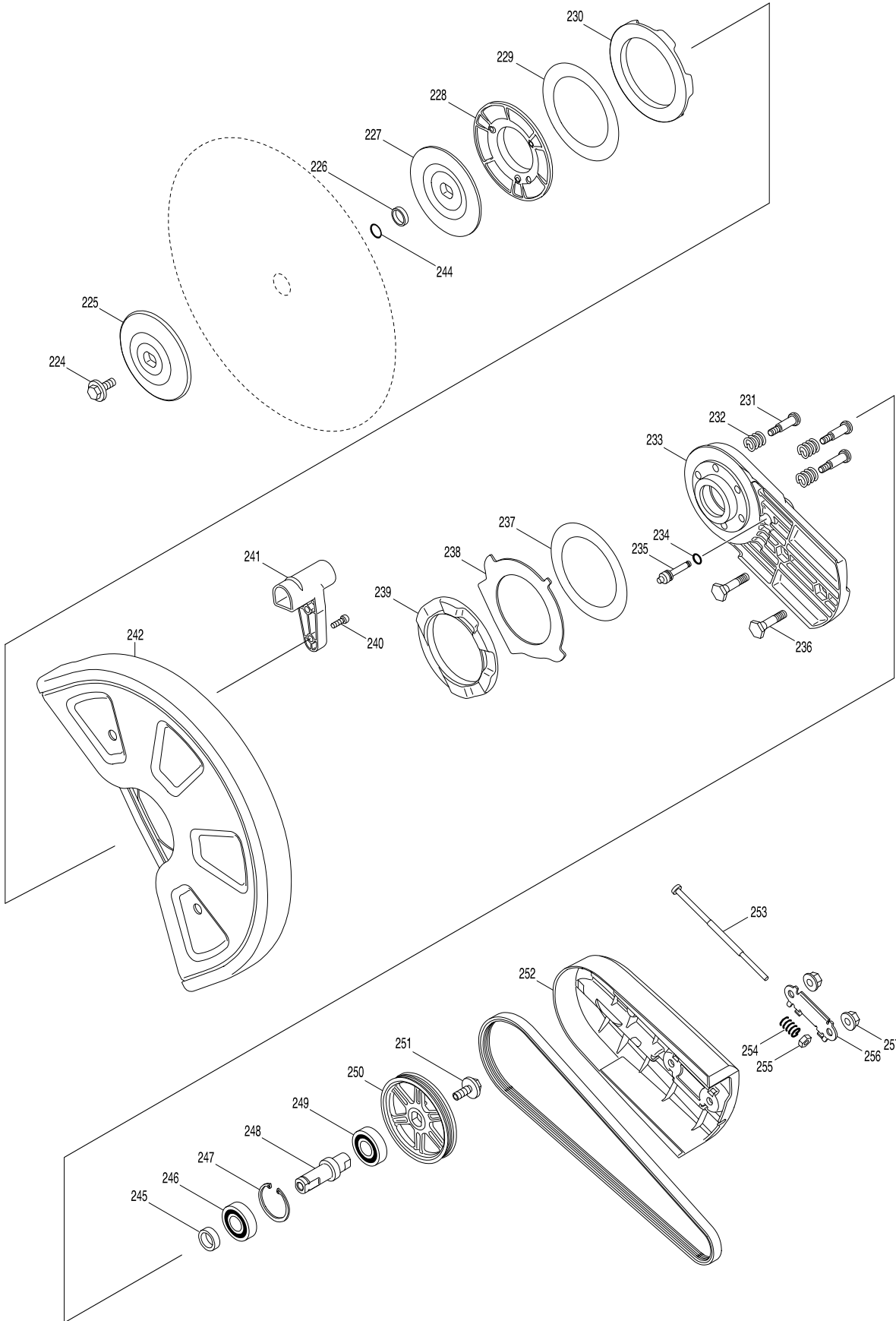
Model No. EK7651H POWER CUTTER



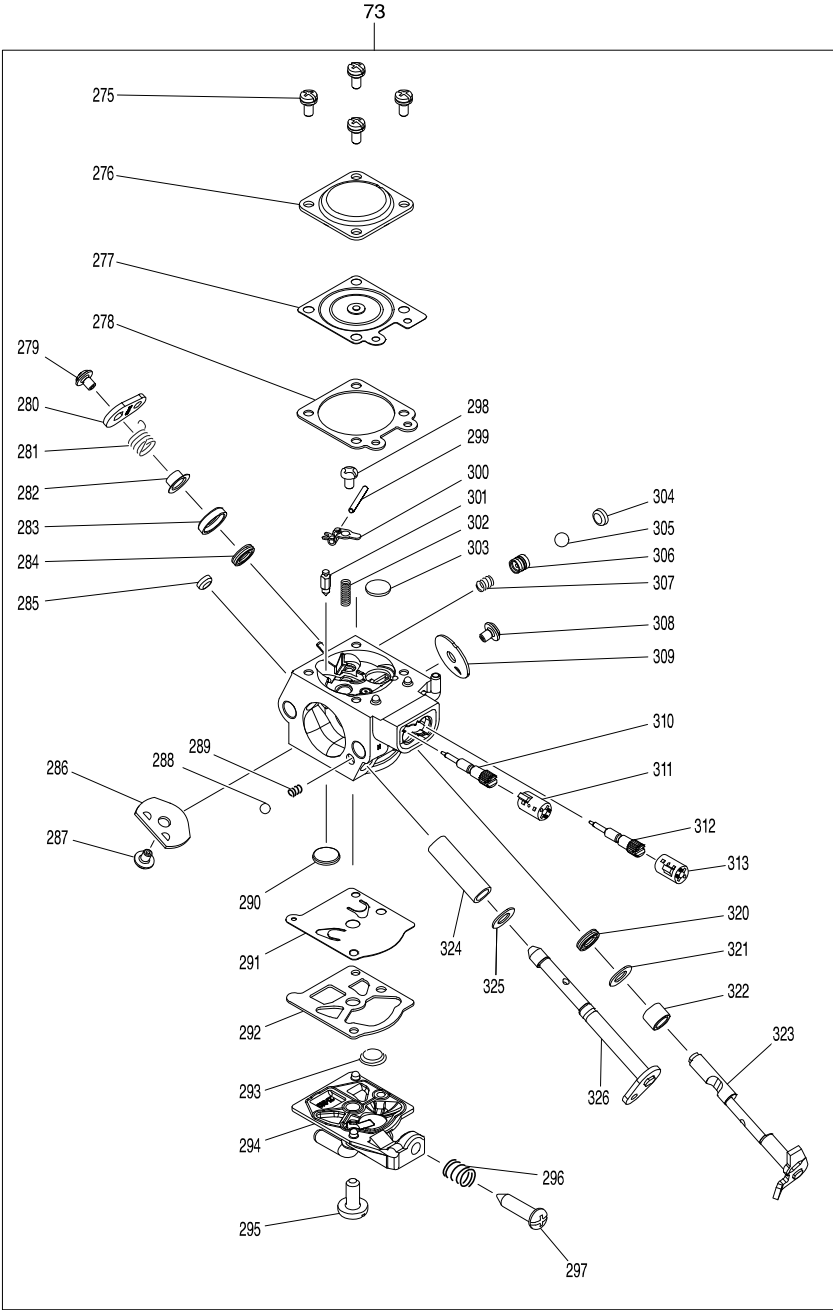
Model No. EK7651H POWER CUTTER



Model No. EK7651H POWER CUTTER



Model No. EK7651H POWER CUTTER



Model No. EK7651H POWER CUTTER

Item	Parts No.	Description	I/C	QTY	N/O	Opt. 1	Opt. 2	NOTE
001	421875-8	GROMMET		1		84679900		
002	452800-8	HOSE JOINT 4-4		1		84679900		
003	422083-4	TUBE 3-190		1		40169390		
004	168396-6	BREATHER		1		84133090		
005	142150-6	TUBE COMPLETE		1		84679900		
D10		INC. 6-8						
006	422074-5	TUBE 3-120		1		40169390		
007	424101-4	FUEL GROMMET		1		84679900		
008	422119-9	FUEL TUBE 3-300		1		40169390		
009	168398-2	PRIMER PUMP		1		84133090		
010	324616-0	HOSE CLAMP		1		73182990		
011	163447-0	FUEL FILTER		1	*	84679900		
011-1	163447-0	FUEL FILTER	O	1		84679900		
012	140831-6	TANK CAP COMPLETE		1		39269099		
D10		INC. 13-15						
013	452697-5	TANK CAP KNOB		1		40169390		
014	213080-9	O RING 29.5		1	*	40169320		
014-1	213831-0	O-RING 29.5	<	1				
015	450957-9	STRAP		1		84679900		
016	266475-5	TAPPING SCREW TORX 5.5X20		1		73181500		
017	452736-1	GRIP COVER		1		39269099		
018	452722-2	LOCK OFF LEVER		1		39269099		
019	452721-4	THROTTLE LEVER		1		84679900		
020	233590-0	TORSION SPRING 12		1		73209090		
021	452723-0	SWITCH LEVER		1		39269099		
022	256520-4	ROD 5		1		73182990		
023	452742-6	REAR INNER HOLDER		1		84679900		
024	266475-5	TAPPING SCREW TORX 5.5X20		1		73181500		
025	424408-8	TANK GUARD		1		84679900		
026	140774-2	TANK COMPLETE		1		84679900		
C10	898274-3	INDICATION LABEL		1		83100090		
C20	264066-6	SQUARE NUT M5-10		4		73181600		
027	424583-0	PLUG		1		40169390		
028	452742-6	REAR INNER HOLDER		1		84679900		
029	266475-5	TAPPING SCREW TORX 5.5X20		1		73181500		
030	424404-6	REAR FOOT		1		84679900		
031	869686-7	EK7651H NAME PLATE		1	*	83100090		
031-1	850G00-0	EK7651H NAME PLATE	O	1				
033	452737-9	CLAMP		1		73182990		
034	424410-1	RUBBER CAP		1		40169390		
035	266687-0	TAPPING SCREW 5.5X45		1		73181500		
036	424410-1	RUBBER CAP		1		40169390		
037	266687-0	TAPPING SCREW 5.5X45		2		73181500		
038	266659-5	H.L. SOCKET HEAD BOLT M6X30		1		73181500		
039	331940-4	FRONT HANDLE		1		84679900		
040	452741-8	CENTER OUTER HOLDER		1		84679900		
041	234214-1	COMPRESSION SPRING 16		1		73209090		
042	266475-5	TAPPING SCREW TORX 5.5X20		3		73181500		

Model No. EK7651H POWER CUTTER

Item	Parts No.	Description	I/C	QTY	N/O	Opt. 1	Opt. 2	NOTE
043	346433-8	BOTTOM PLATE		1		73182990		
044	234213-3	COMPRESSION SPRING 13		1		73209090		
045	266659-5	H.L. SOCKET HEAD BOLT M6X30		1		73181500		
046	452740-0	FRONT INNER HOLDER		1		84679900		
047	318727-1	ROLLER 45		2		84679900		
048	257972-2	SLEEVE 6.5		2		73182990		
049	266660-0	H.L. SOCKET HEAD BOLT M6X35		2		73181500		
050	424405-4	FRONT FOOT		2		84679900		
051	266652-9	H.L. SOCKET HEAD BOLT M5X16		4	*	73181500		
051-1	266849-0	H.L.SOCKET HEAD BOLT M5X16	O	4				
052	318712-4	GUARD		1		84679900		
053	140903-7	TOP COVER COMPLETE		1		84679900		
D10		INC. 54						
054	266692-7	THUMB SCREW M6X15		1		73181500		
056	141040-0	FILTER COVER COMPLETE		1		84679900		
C10	893210-4	CAUTION LABEL		1		83100090		
C20	893211-2	CAUTION LABEL		1		83100090		
D10		INC. 57,58						
057	424409-6	PLUG COVER		1		40169390		
058	424417-7	PACKING		1		48195090		
061	266656-1	H.L. SOCKET HEAD BOLT M5X40		4		73181500		
062	442165-6	AIR FILTER		1		84219900		
063	424399-3	INNER FILTER		1		84219900		
064	266127-8	+ TAPPING SCREW PT 3X20		2		73181500		
065	452739-5	SEPARATER COVER		1		84679900		
066	213459-4	O RING 32		1		40169320		
067	352012-2	SEPARATOR MESH		1		73182990		
068	266657-9	H.L. SOCKET HEAD BOLT M5X45		2		73181500		
069	452720-6	FILTER BRACKET		1		73182990		
070	442166-4	CARBURETOR GASKET		1		40169390		
071	326040-3	THROTTLE LINKAGE		1		84679900		
072	424407-0	RUBBER JOINT		1		40169390		
073	168653-2	CARBURETOR WT		1		84679900		
D10		INC. 275-293,296-313,320-326						
074	326041-1	CHOKE LINKAGE		1		84679900		
075	422077-9	TUBE 3-190		1		40169390		
076	422080-0	TUBE 3-35		1		40169390		
077	452952-5	HOSE JOINT		1		84679900		
078	422079-5	TUBE 3-45		1		40169390		
079	424418-5	SEAL		1		48195090		
080	422082-6	TUBE 3-130		1		40169390		
081	422081-8	TUBE 3-75		1		40169390		
082	452951-7	HOSE JOINT 4-4		1		84679900		
083	452799-7	HOSE JOINT 4-6		1		84679900		
084	452799-7	HOSE JOINT 4-6		1		84679900		
085	346397-6	GUIDE RING		1		73182200		
086	452724-8	CARBURETOR MOUNT		1		84679900		
087	424397-7	SUCTION LINE		1		84679900		

Model No. EK7651H POWER CUTTER

Item	Parts No.	Description	I/C	QTY	N/O	Opt. 1	Opt. 2	NOTE
088	346495-6	HOSE CLAMP 30		1		73182990		
089	266654-5	H.L. SOCKET HEAD BOLT M5X25		2	*	73181500		
089-1	266852-1	H.L.SOCKET HEAD BOLT M5X25	O	2				
090	140898-4	ROCKER COVER COMPLETE		1		84679900		
D10		INC. 91-93						
091	422073-7	TUBE 3-8		1		40169390		
092	318708-5	ROCKER COVER		1		84679900		
093	452726-4	OIL LINE		1		40169390		
094	345918-1	HOSE CLAMP		1		73182990		
095	422078-7	TUBE 5-70		1		40169390		
096	345918-1	HOSE CLAMP		1		73182990		
097	422076-1	TUBE 3-170		1		40169390		
098	126006-1	IGNITION COIL ASSEMBLY		1		84679900		
D10		INC. 99-101						
099	424105-6	PLUG CAP		1		40169390		
100	125920-8	IGNITION COIL		1		84679900		
101	326148-3	PLUG CAP SPRING		1		73209090		
102	168652-4	SPARK PLUG		1		84679900		
103	125946-0	CYLINDER HEAD ASSEMBLY		1	*	84679900		
D10		INC. 104-106			*			
103-1	135752-5	CYLINDER HEAD ASSEMBLY	<	1	*			
C10	125946-0	CYLINDER HEAD ASSEMBLY		1	*	84679900		
D10		INC. 104-106,108,109,112			*			
D20		INC. 116,119,120,265			*			
103-2	135785-0	CYLINDER HEAD ASS'Y	S	1				
C10	123772-1	CYLINDER HEAD ASSEMBLY		1				
D10		INC. 104-106,108,109,112						
D20		INC. 116,119,120,265						
104	140928-1	CYLINDER HEAD COMPLETE		1	*	84679900		
104-1	144051-4	CYLINDER HEAD COMPLETE	S	1				
105	331969-0	VALVE GUIDE		2		84679900		
106	424424-0	VALVE STEM SEAL		1		48195090		
107	266660-0	H.L. SOCKET HEAD BOLT M6X35		5		73181500		
108	234212-5	COMPRESSION SPRING 11		2		73209090		
109	331966-6	RETAINER		2		73182990		
110	346400-3	ROCKER COVER GASKET		1	*	40169390		
110-1	161301-2	ROCKER COVER GASKET	<	1				
111	331937-3	EXHAUST PORT SPACER		1		84679900		
112	256201-0	PIN 5		1	*			
112-1	268310-3	PIN 5	O	1		73182990		
113	346399-2	MUFFLER GASKET		1		40169390		
114	168638-8	EXHAUST MUFFLER		1	*	84679900		
114-1	161532-3	EXHAUST MUFFLER	S	1				
115	266693-5	H.L. SOCKET HEAD BOLT M6X18		3	*	73181500		
115-1	266693-5	H.L. SOCKET HEAD BOLT M6X18	<	3		73181500		
116	126005-3	ROCKER ARM ASSEMBLY		2		84679900		
117	256526-2	PUSH ROD		2		73182990		
118	442167-2	CYLINDER HEAD GASKET		1		40169390		

Model No. EK7651H POWER CUTTER

Item	Parts No.	Description	I/C	QTY	N/O	Opt. 1	Opt. 2	NOTE
119	331965-8	EXHAUST VALVE		1		84818090		
120	331964-0	INTAKE VALVE		1		84818090		
121	266659-5	H.L. SOCKET HEAD BOLT M6X30		1		73181500		
122	318729-7	CENTER INNER HOLDER		1		84679900		
123	140901-1	CYLINDER BLOCK COMPLETE		1	*	84679900		
123-1	123578-7	ENGINE BLOCK ASSY(FOR SERVICE)	<	1				
C10	140901-1	CYLINDER BLOCK COMPLETE		1		84679900		
D10		INC. 89,90,103,107,110,117,118						
D20		INC. 126,127,132-138,140-146						
D30		INC. 152-154,156-164,167-174						
D40		INC. 184,185						
124	638776-5	LEAD UNIT		1		84679900		
125	266652-9	H.L. SOCKET HEAD BOLT M5X16		2	*	73181500		
125-1	266849-0	H.L.SOCKET HEAD BOLT M5X16	O	2				
126	256200-2	PIN 5		1		73182990		
127	125934-7	CAM GEAR ASSEMBLY		1	*			
D10		INC. 128-131			*			
127-1	123299-1	CAM GEAR ASSEMBLY	<	1		84679900		
D10		INC. 128-131						
128	140817-0	CAM GEAR COMPLETE		1		84834000		
129	233582-9	TORSION SPRING 9		1	*			
129-1	233623-1	TORSION SPRING 9	<	1		73209090		
130	346434-6	CAM GEAR PLATE		1		73182990		
131	318707-7	FLY WEIGHT		1		84679900		
132	256186-0	PIN 5		1		73182990		
133	313209-8	CAM LIFTER L		1		84679900		
134	313210-3	CAM LIFTER R		1		84679900		
135	442168-0	CAM GEAR GASKET		1		40169390		
136	318725-5	CAM GEAR COVER		1		84679900		
137	266652-9	H.L. SOCKET HEAD BOLT M5X16		4	*	73181500		
137-1	266849-0	H.L.SOCKET HEAD BOLT M5X16	O	4				
138	213599-8	OIL SEAL 17		1	*	40169320		
138-1	213599-8	OIL SEAL 17	O	1	*	40169320		
138-2	213091-4	OIL SEAL 17	<	1		40169390		
139	254001-2	WOODRUFF KEY 4		1		84679900		
140	140900-3	CRANKSHAFT COMPLETE		1		84831099		
141	233995-4	RING SPRING 12		2		73209090		
142	326039-8	PISTON PIN		1		73182990		
143	318726-3	PISTON		1	*	84679900		
143-1	197457-5	PISTON SET	<	1				
C10	318726-3	PISTON		1		84679900		
D10		INC. 141,144						
144	257332-8	SECOND RING		1	*	73182990		
144-1	197458-3	PISTON RING SET	<	1				
145	257333-6	OIL RING		1	*	73182990		
146	257331-0	TOP RING		1	*	73182990		
147	266659-5	H.L. SOCKET HEAD BOLT M6X30		1		73181500		
148	638777-3	LEAD UNIT		1		84679900		

Model No. EK7651H POWER CUTTER

Item	Parts No.	Description	I/C	QTY	N/O	Opt. 1	Opt. 2	NOTE
149	232268-2	CONTACT SPRING		1		73209090		
150	318730-2	REAR OUTER HOLDER		1		84679900		
151	234214-1	COMPRESSION SPRING 16		1		73209090		
152	266659-5	H.L. SOCKET HEAD BOLT M6X30		8		73181500		
153	424201-0	CHECK VALVE		2		84818090		
154	424406-2	GROMMET		1		84679900		
156	266652-9	H.L. SOCKET HEAD BOLT M5X16		3	*	73181500		
156-1	266849-0	H.L.SOCKET HEAD BOLT M5X16	O	3				
157	452738-7	OIL CASE GASKET		1		40169390		
158	345918-1	HOSE CLAMP		1		73182990		
159	422084-2	TUBE 5-55		1		40169390		
160	346398-4	LEAD VALVE		1		84818090		
161	318709-3	RETAINER PLATE		1		84679900		
162	266652-9	H.L. SOCKET HEAD BOLT M5X16		1	*	73181500		
162-1	266849-0	H.L.SOCKET HEAD BOLT M5X16	O	1				
163	345918-1	HOSE CLAMP		1		73182990		
164	168655-8	OIL TUBE COMPLETE		1		84679900		
D10		INC. 165,166						
165	326177-6	OIL WEIGHT		1		84679900		
166	424384-6	OIL TUBE		1		84679900		
167	318710-8	OIL CASE		1		40169390		
168	346452-4	GASKET		1		40169390		
169	921412-3	HEX. BOLT M8X12		1		73181500		
170	266652-9	H.L. SOCKET HEAD BOLT M5X16		4	*	73181500		
170-1	266849-0	H.L.SOCKET HEAD BOLT M5X16	O	4				
171	213548-5	O-RING 20		1		40169320		
172	266862-8	H.L.S.H. BOLT M5X16 WITH WR		2		73181500		
173	452614-5	OIL PIPE		1		40169390		
174	140899-2	OIL CAP COMPLETE		1		40169390		
D10		INC. 175						
175	424421-6	OIL CAP GASKET		1		48195090		
176	318704-3	FLYWHEEL		1		84679900		
177	264054-3	FLANGE NUT M10		1		73181600		
178	452617-9	CYLINDER COVER		1		84679900		
179	266652-9	H.L. SOCKET HEAD BOLT M5X16		1	*	73181500		
179-1	266849-0	H.L.SOCKET HEAD BOLT M5X16	O	1				
180	452616-1	FAN COVER		1		73182990		
181	266655-3	H.L. SOCKET HEAD BOLT M5X30		4		73181500		
182	266659-5	H.L. SOCKET HEAD BOLT M6X30		1		73181500		
183	318728-9	FRONT OUTER HOLDER		1		84679900		
184	267448-1	FLAT WASHER 41		1		73182200		
185	213598-0	OIL SEAL(L)		1	*	40169320		
185-1	213090-6	OIL SEAL(L)	<	1		40169390		
186	318711-6	CUTTING ARM		1	*			
186-1	319234-7	CUTTING ARM	S	1		84679900		
187	234214-1	COMPRESSION SPRING 16		1		73209090		
188	318730-2	REAR OUTER HOLDER		1		84679900		
189	266659-5	H.L. SOCKET HEAD BOLT M6X30		1		73181500		

Model No. EK7651H POWER CUTTER

Item	Parts No.	Description	I/C	QTY	N/O	Opt. 1	Opt. 2	NOTE
190	266658-7	H.L. SOCKET HEAD BOLT M6X25		5		73181500		
191	225094-6	V BELT 5-800		1		40169390		
192	331970-5	SPACER17		1		73182990		
193	125945-2	CLUTCH DRUM ASSEMBLY		1		84679900		
D10		INC. 194-196						
194	165636-3	CLUTCH DRUM		1		84679900		
195	962163-9	RETAINING RING R-35		1		73182990		
196	210138-5	BALL BEARING 6003LLU		1		84821090		
197	331970-5	SPACER17		1		73182990		
198	168656-6	CLUTCH COMPLETE		1	*			
D10		INC. 199-201			*			
198-1	168834-8	CLUTCH COMPLETE	<	1		84679900		
D10		INC. 199-201						
199	231871-6	TENSION SPRING 6		3	*			
199-1	231884-7	TENSION SPRING 6	<	3		73209090		
200	313207-2	CLUTCH SHOE		3		84679900		
201	313208-0	CLUTCH HOLDER		1		84679900		
202	893121-3	EK7651H MODEL NO.LABEL		1		83100090		
203	266792-3	H.L. SOCKET HEAD BOLT M5X18		3		73181500		
204	125919-3	STARTER ASSEMBLY		1		84679900		
D10		INC. 205-212						
205	424501-8	STARTER KNOB		1	*	40169390		
205-1	SG00000060	STARTER KNOB	O	1				
206	332046-1	ROPE GUIDE		1	*	84679900		
206-1	SG00000058	STARTER CASE COMPLETE	O	1				
207	452613-7	STARTER CASE		1	*	84679900		
208	232262-4	SPIRAL SPRING		1	*	73209090		
208-1	SG00000014	SPIRAL SPRING	O	1		73209090		
209	444040-2	STARTER ROPE		1	*	84679900		
209-1	SG00000059	STARTER ROPE	O	1				
210	424500-0	ROPE STOPPER		1	*	84679900		
210-1	SG00000061	ROPE STOPPER	O	1				
211	453466-7	REEL		1	*	84679900		
211-1	SG00000015	REEL	O	1				
212	266634-1	SET SCREW M6X20		1	*	73181500		
212-1	SG00000013	SET SCREW M6X20	O	1				
213	452930-5	HOLDER		1		82078000		
214	266653-7	H.L. SOCKET HEAD BOLT M5X20		3	*	73181500		
214-1	266847-4	H.L.SOCKET HEAD BOLT M5X20	O	3	*			
214-2	266851-3	H.L.BIND BOLT M5X20	<	3				
215	452621-8	CLUTCH COVER		1	*			
215-1	455559-6	CLUTCH COVER	S	1		84679900		
216	264080-2	HEX. LOCK NUT M10-17		1		73181600		
218	266784-2	H.L. SOCKET HEAD BOLT M5X12		3	*	73181500		
218-1	266859-7	H.L.SOCKET HEAD BOLT M5X12	O	3				
219	140816-2	RATCHET COMPLETE		1	*	84679900		
219-1	144100-7	RATCHET COMPLETE	O	1				
C10	347089-0	RATCHET		2				

Model No. EK7651H POWER CUTTER

Item	Parts No.	Description	I/C	QTY	N/O	Opt. 1	Opt. 2	NOTE
C20	347090-5	RATCHET HOLDER		1				
C30	251505-5	HEX. BOLT M5		2				
C40	232333-7	TORSION SPRING 15		2				
224	266690-1	HEX. BOLT M8X25		1		73181500		
225	224443-4	FLANGE 102		1	*	73182990		
225-1	224478-5	FLANGE 102	O	1				
226	257312-4	RING17		1		73182990		
227	224443-4	FLANGE 102		1	*	73182990		
227-1	224478-5	FLANGE 102	O	1				
228	318746-7	PRESSURE RING		1		73182990		
229	442169-8	SLIDING DISC		1		68042390		
230	424426-6	RUBBER RING(INNER)		1		48195090		
231	266689-6	H.L.COLLAR BOLT M6		3	*	73181500		
231-1	266970-5	H.L.SOCKET HEAD COLLAR BOLT M6	O	3				
232	234216-7	COMPRESSION SPRING 8		3	*	73209090		
232-1	234374-9	COMPRESSION SPRING 8	O	3		73209090		
233	318722-1	CUTTING DEVICE		1		84679900		
234	213625-3	O-RING 9		1		40169320		
235	326038-0	LOCK SHAFT		1		84679900		
236	266688-8	HEX. BOLT M8		2	*	73181500		
236-1	266969-0	HEX. BOLT M8	<	2				
237	442169-8	SLIDING DISC		1		68042390		
238	346455-8	IMPACT PLATE		1		73182200		
239	424427-4	RUBBER RING(OUTER)		1		48195090		
240	266725-8	-H.L.SOCKET HEAD BOLT M5X16		2		73181500		
241	452938-9	GRIP		1		40169390		
242	141042-6	HOOD COMPLETE		1	*	84679900		
C10	893218-8	CAUTION LABEL		1	*	83100090		
242-1	141042-6	HOOD COMPLETE	O	1		84679900		
C10	893218-8	CAUTION LABEL		1		83100090		
244	213162-7	O RING 14		1		40169320		
245	257971-4	RING 17		1		73182990		
246	211281-3	BALL BEARING 6203LLU		1		84821090		
247	962157-4	RETAINING RING R-40		1		73182990		
248	326062-3	SPINDLE		1		84679900		
249	211281-3	BALL BEARING 6203LLU		1		84821090		
250	222174-9	V PULLEY 5-95.8		1		84679900		
251	266690-1	HEX. BOLT M8X25		1		73181500		
252	452698-3	BELT COVER		1	*			
252-1	455936-2	BELT COVER	S	1		84679900		
253	266691-9	TENSIONING SCREW M6		1		73181500		
254	234215-9	COMPRESSION SPRING 6		1		73209090		
255	252157-5	SQUARE NUT M6		1		73181500		
256	346457-4	PLATE		1		73182200		
257	264081-0	HEX. NUT M8		2	*			
257-1	264055-1	COLLARED HEX. NUT M8	S	2		73181600		
258	424023-8	SPONGE SLEEVE 9		1		40169390		
259	346554-6	PLATE		1		73182990		

Item	Parts No.	Description	I/C	QTY	N/O	Opt. 1	Opt. 2	NOTE
260	424316-3	CHECK VALVE		1		84818090		
261	166106-5	DUST BAG		1		39269099		
262	424499-9	RUBBER SLEEVE 22		1		40169390		
263	800E23-6	CAUTION LABEL		1		39199090		
264	346611-0	STARTER COVER GASKET		1		40169390		
265	331967-4	COTTER		4		84679900		
266	346589-7	MUFFLER GUARD		1	*	73182990		
267	266782-6	H.L.S. HEAD BOLT M5X16 WITH WG		2	*	73181500		
268	325665-0	JOINT PIPE		4		73182990		
269	331897-9	BALL		2		73182990		
270	897179-4	SERIAL NO. LABEL		1	*	83100090		
270-1	850F72-9	SERIAL NO. LABEL	O	1				
275	WJ00096589	SCREW ASSEMBLY		4				
276	141943-8	METERING COVER ASSEMBLY		1				
277	168620-7	METERING DIAPHRAGM		1		40169390		
278	442183-4	METERING DIAPHRAGM GASKET		1		40169390		
279	WJ00096475	SCREW		1				
280	WJ00183498	THROTTLE LEVER		1				
281	WJ00983707	SPRING		1				
282	WJ00014886	BUSHING 148-86		1				
283	WJ00148545	BUSHING		1				
284	WJ00015631	THROTTLE SHAFT SEAL		1				
285	WJ00088119	PLUG CAP		1				
286	WJ00343480	CHOKE VALVE		1				
287	WJ00096475	SCREW		1				
288	5806122220	BALL		1				
289	5806122210	SPRING		1				
290	352010-6	INLET SCREEN		1	*	84679900		
290-1	WJ00014070	INLET SCREEN	O	1		84679900		
291	WJ00009589	PUMP DIAPHRAGM		1				
292	442192-3	PUMP GASKET		1	*			
292-1	WJ00092225	GASKET-PUMP	O	1				
293	234183-6	CONICAL COMPRESSION SPRING 5-9		1		73209090		
296	5106045250	SPRING		1	*			
296-1	WJ00098217	SPRING	O	1				
297	WJ00096368	IDLE ADJUST SCREW		1				
298	5016004110	SCREW		1				
299	WJ00014477	METERING LEVER PIN		1		73182990		
300	WJ00016648	LEVER		1		73182990		
301	WJ00008282	INLET NEEDLE VALVE		1		84818090		
302	234277-7	COMPRESSION SPRING 3		1				
303	5416036160	PLUG-WELCH		1				
304	WJ00088229	CUP PLUG		1				
305	WJ00008995	BALL		1				
306	WJ00160580	PISTON ASSEMBLY ACCELERATOR		1				
307	WJ00983164	SPRING		1				
308	WJ00096475	SCREW		1				
309	5806122260	THROTTLE VALVE		1				

Model No. EK7651H POWER CUTTER

Item	Parts No.	Description	I/C	QTY	N/O	Opt. 1	Opt. 2	NOTE
310	WJ01023347	NEEDLE		1				
311	WJ00025162	LIMITER CAP		1				
312	WJ01023343	NEEDLE		1				
313	WJ00025162	LIMITER CAP		1				
320	WJ00015631	THROTTLE SHAFT SEAL		1				
321	WJ00136194	WASHER		1				
322	WJ00014896	SPACER-THROTTLE LEVER		1				
323	WJ00224273	SHAFT ASSEMBLY-THROTTLE		1				
324	WJ00148542	SLEEVE-CHOKE		1				
325	WJ00136231	WASHER		1				
326	WJ00224210	SHAFT ASSEMBLY-CHOKE		1				
A01	195488-8	TOOL KIT		1		82079090		
C10	782025-3	TORX WRENCH		1		82041120		
C20	782236-0	WRENCH 13-16		1		82041120		
C30	783012-5	SCREWDRIVER		1		82045000		
C40	831340-3	TOOL BAG		1		42022990		
A02	195532-1	OIL BOTTLE SET		1		39169099		
A03	195534-7	WATER SET		1		84679900		
C10	123121-2	COUPLING SLEEVE		1		84679900		
C20	126068-9	WATER SET PART		1		84679900		
C30	266707-0	H.L.SOCKET HEAD BOLT M5X10		1		73181500		
C40	452930-5	HOLDER		1		82078000		
A04	195945-6	PRE FILTER SET		1	*	84219900		
A04-1	198172-4	PRE FILTER SET	O	1				
A05	195794-1	RING SET		1		73182990		
E01	898428-2	CAUTION PLATE		1		83100090		
E02	898748-4	CAUTION TAG		1		83100090		
E03	898855-3	CAUTION TAG		1		83100090		