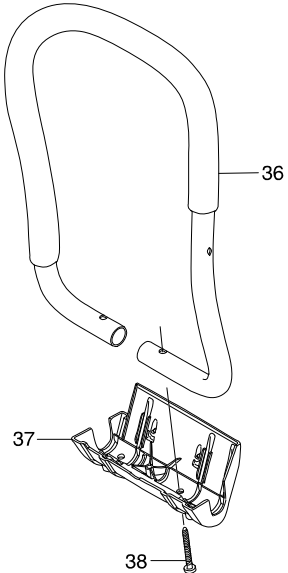
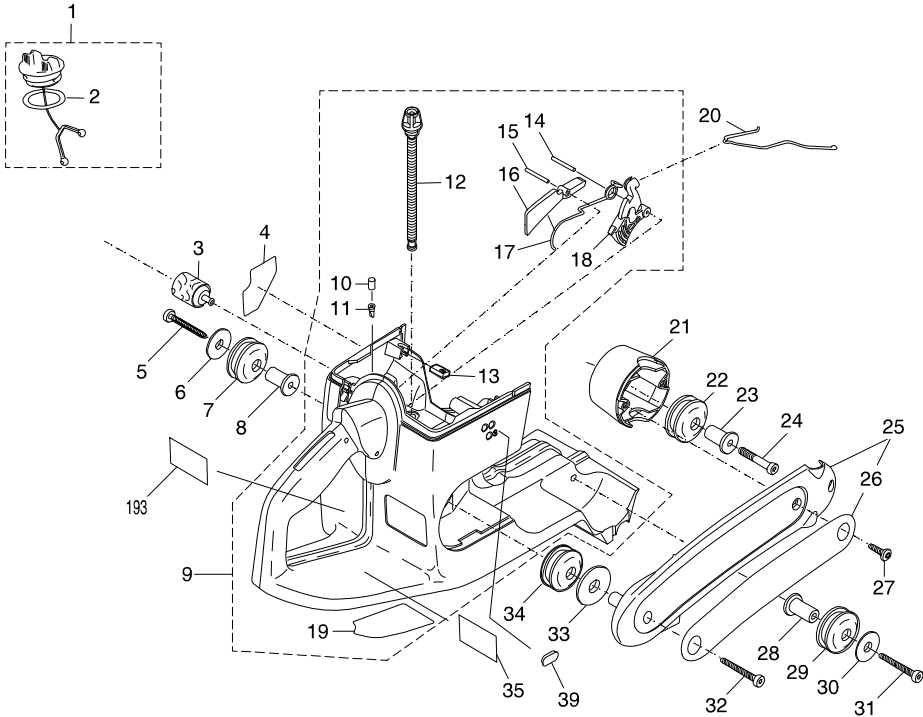
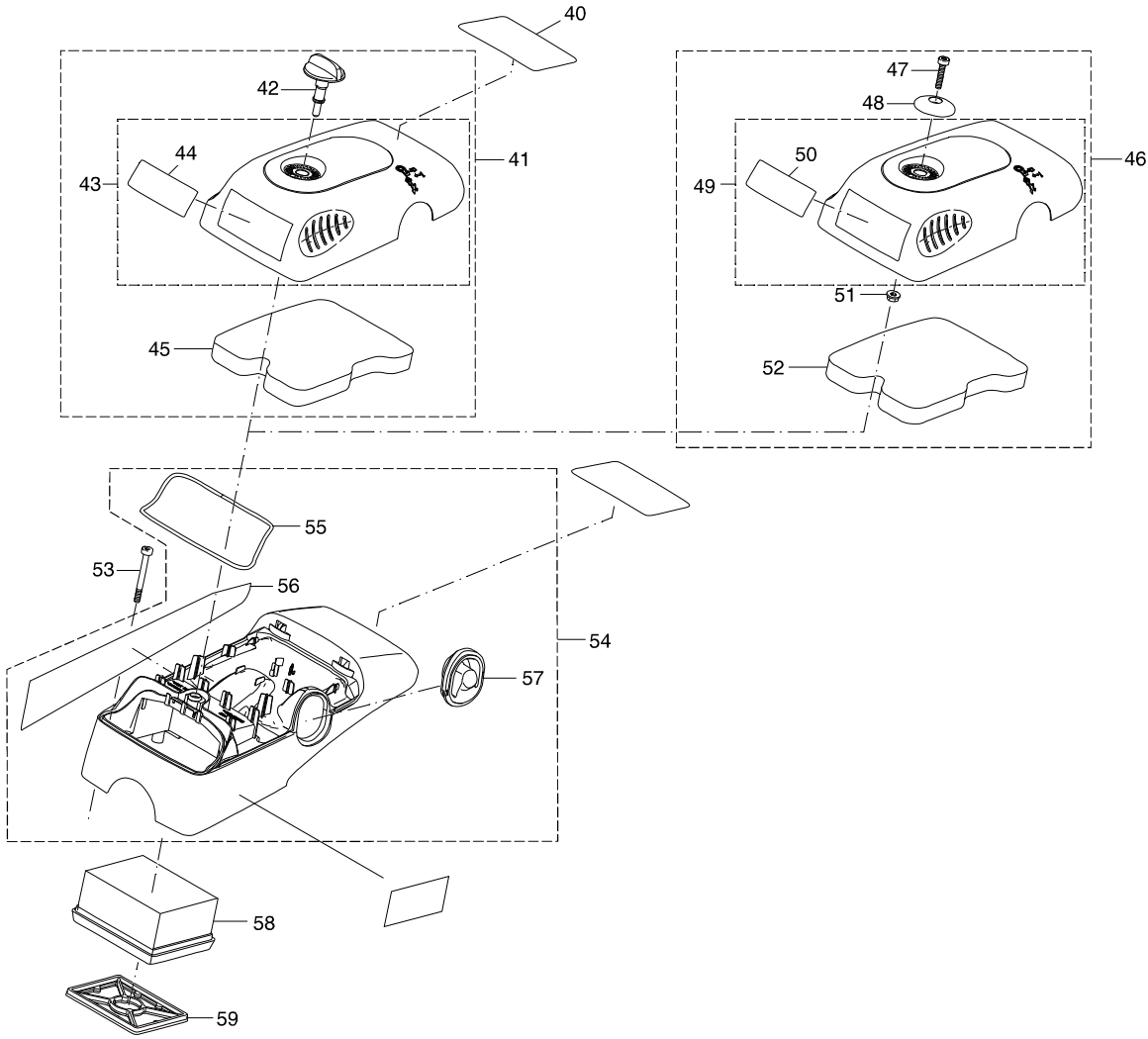


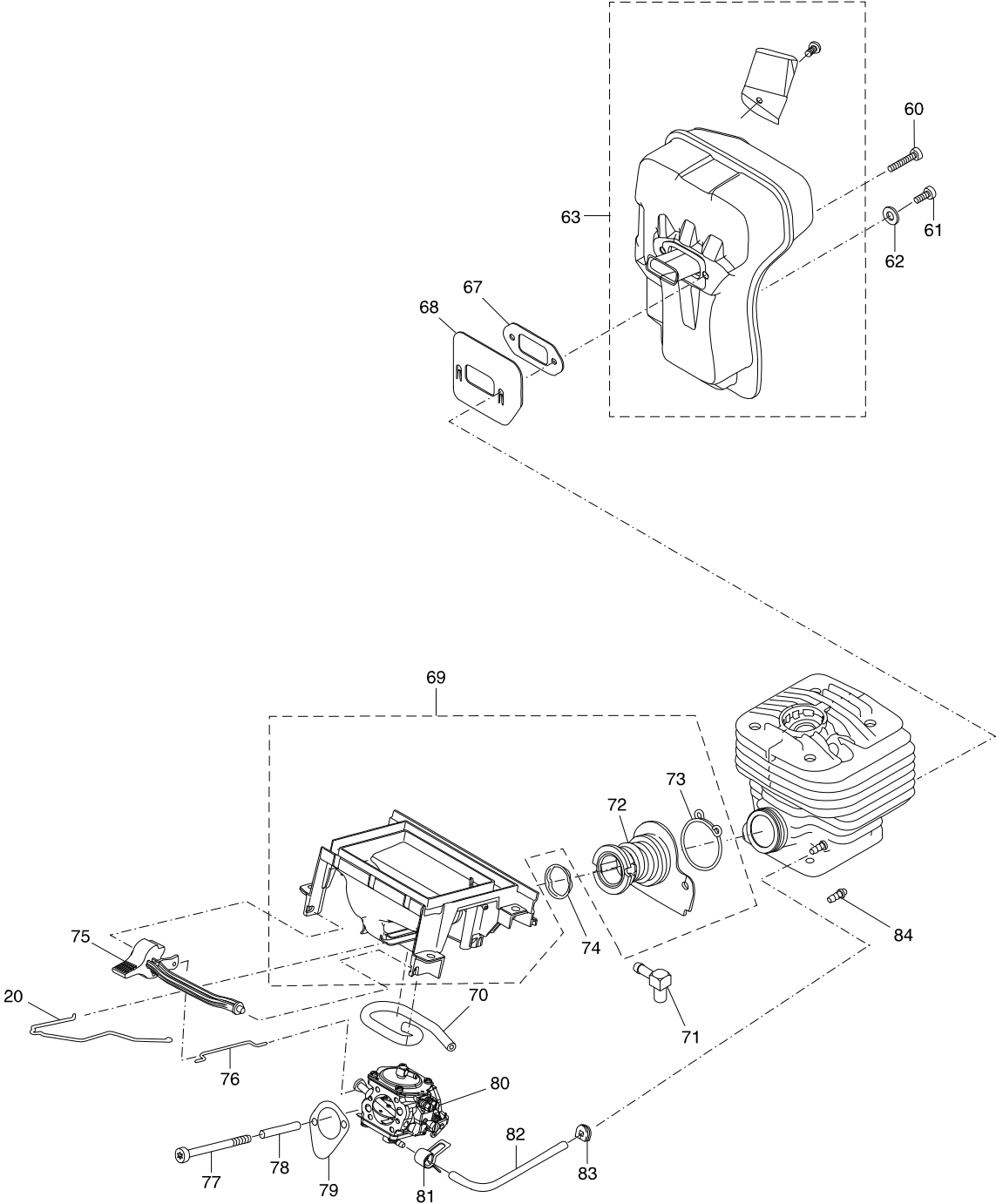
Model No. EK7301 POWER CUTTER



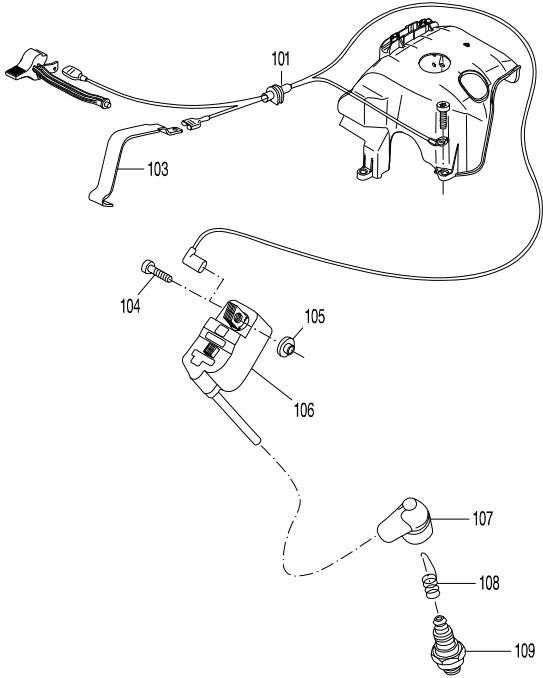
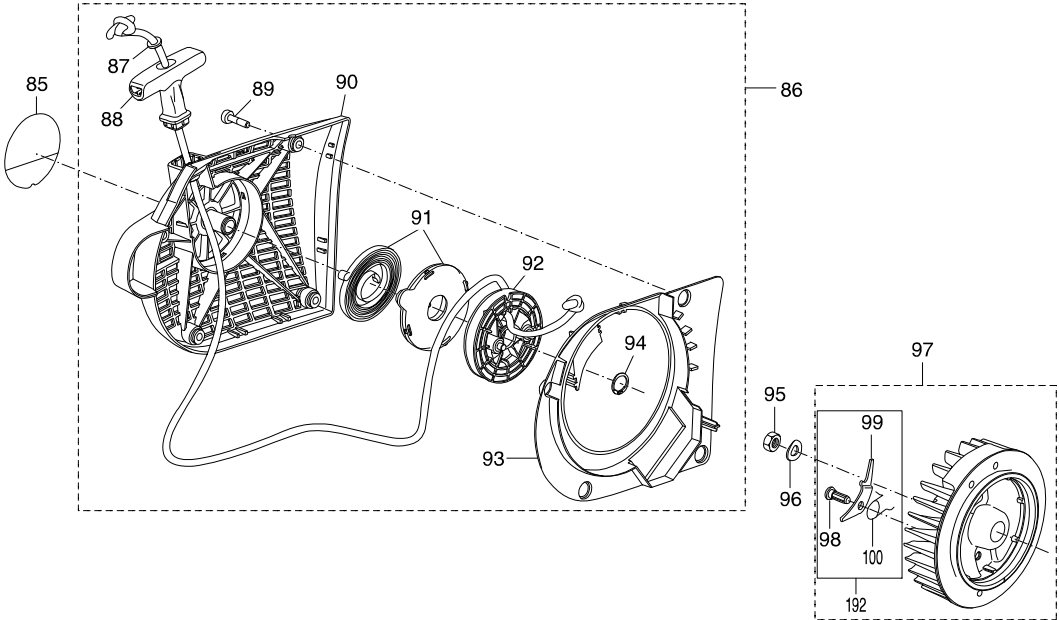
Model No. EK7301 POWER CUTTER



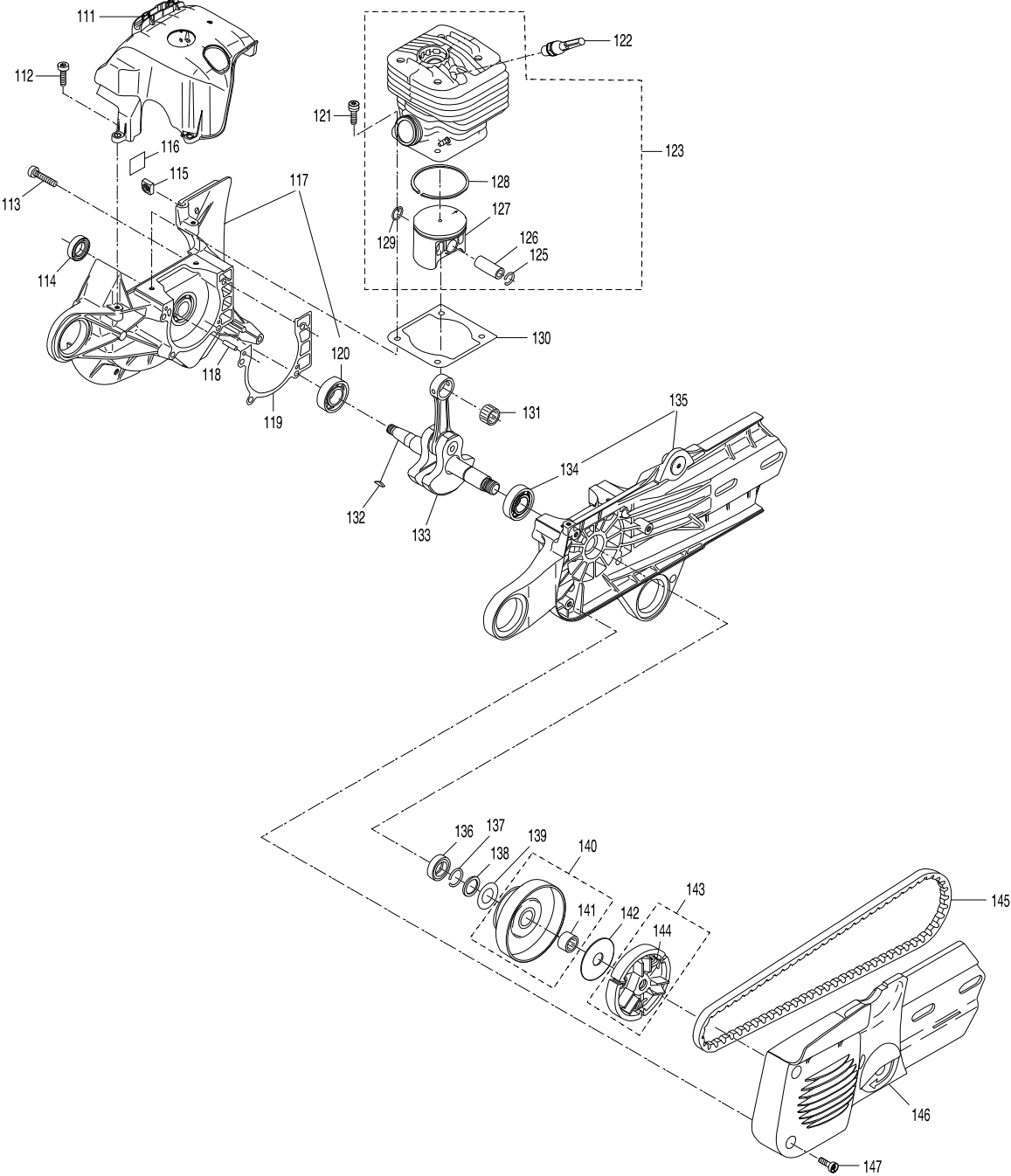
Model No. EK7301 POWER CUTTER



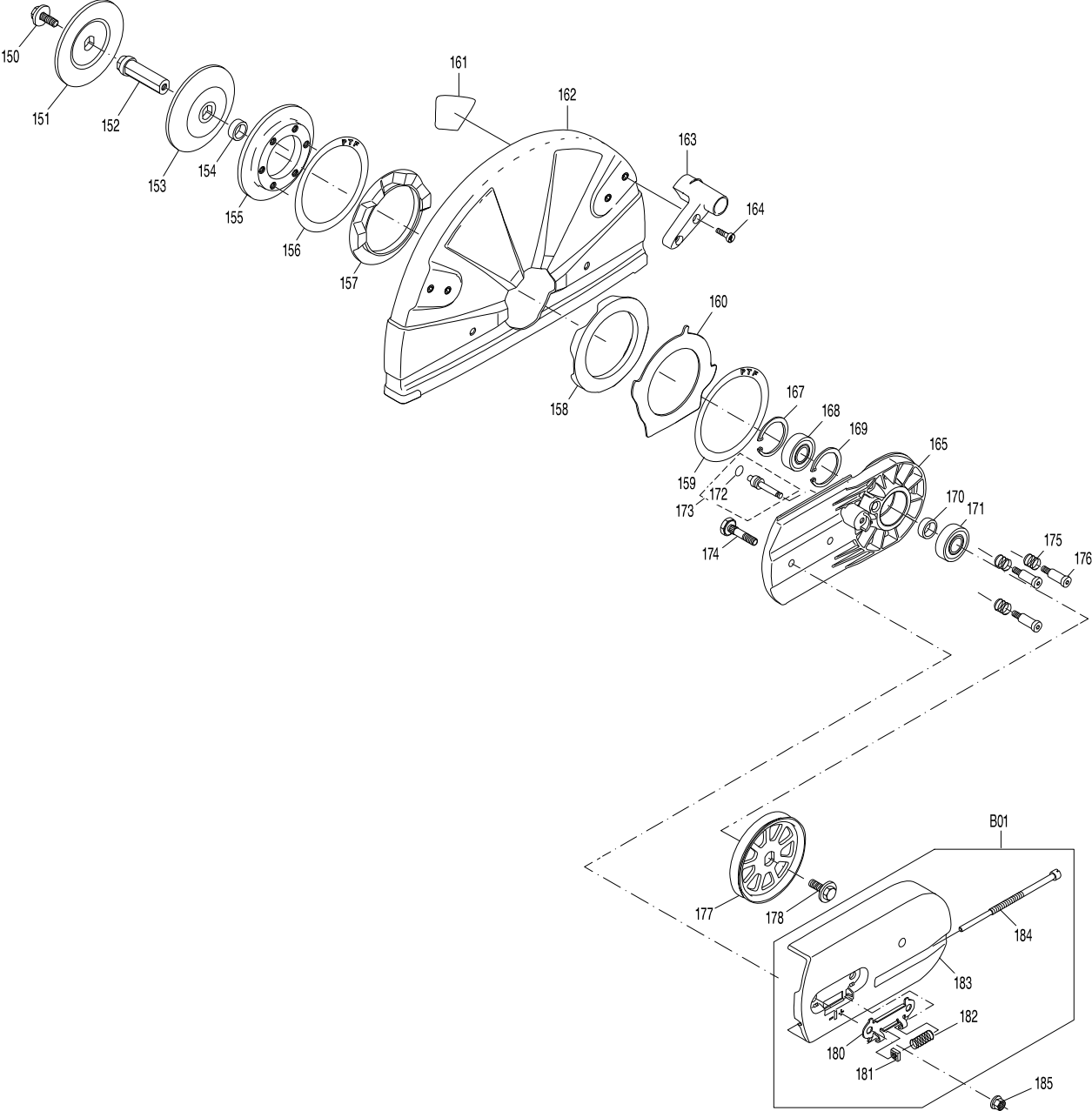
Model No. EK7301 POWER CUTTER



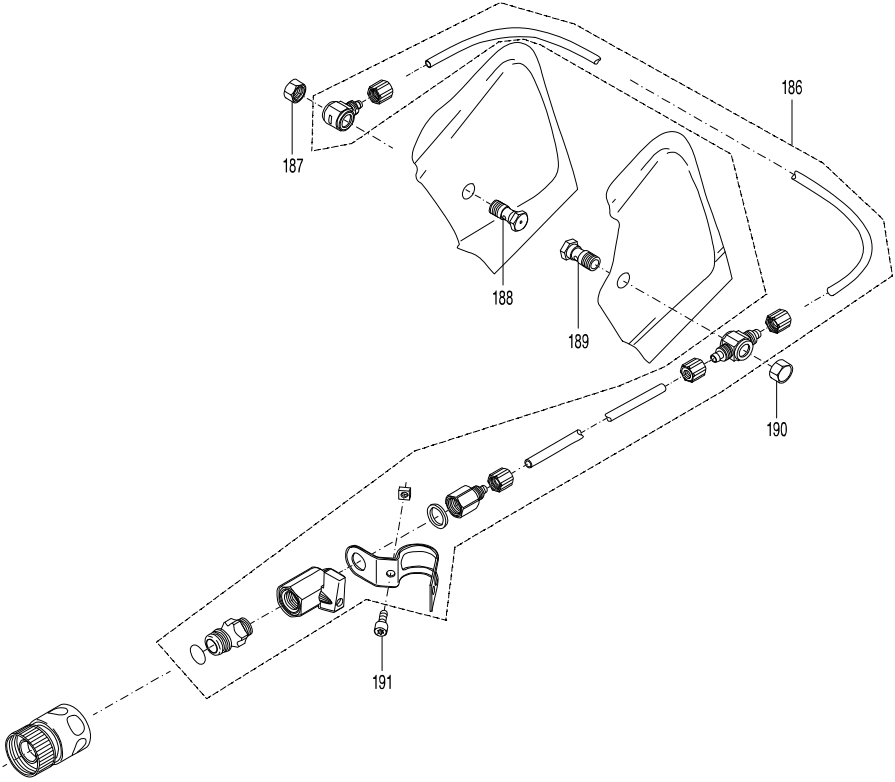
Model No. EK7301 POWER CUTTER



Model No. EK7301 POWER CUTTER



Model No. EK7301 POWER CUTTER



Model No. EK7301 POWER CUTTER

Item	Parts No.	Description	I/C	Qty	N/O	Opt. 1	Opt. 2	Note
001	168507-3	TANK CAP COMPLETE		1		40169390		
D10		INC. 2						
002	213080-9	O RING 29.5		1		40169320		
003	163499-1	SUCTION HEAD		1		84679900		
005	266687-0	TAPPING SCREW 5.5X45		1		73181500		
006	346870-6	WASHER 5.8X26X2		1		40169390		
007	424695-9	VIBRATION DAMPER		1		40169390		
008	319268-0	AXLE FOR VIBRATION DAMPER		1		82079090		
009	123321-4	FUEL TANK CPL. BLUE		1				
D10		INC. 10-19						
010	422063-0	SINTER INSERT		1	*	82090010		
011	424170-5	VALVE		1	*	84818090		
011-1	195762-4	AIR VALVE SET	S	1		84818090		
012	424723-0	FUEL LINE		1				
013	252897-5	SCREW PLUG		4				
014	268335-7	PIN 3		1				
015	268233-5	PIN 3		1				
016	455821-9	SAFETY LEVER		1				
017	233626-5	SPRING		1				
018	455820-1	THROTTLE LEVER		1				
019	806J47-0	INDICATION LABEL		1		40169390		
020	326497-8	THROTTLE LINKAGE		1		84679900		
021	455806-5	RETAINER FOR DAMPER BLACK		1		84679900		
022	424695-9	VIBRATION DAMPER		1		40169390		
023	319268-0	AXLE FOR VIBRATION DAMPER		1		82079090		
024	266943-8	H.L. SOCKET HEAD BOLT M5X40		1		73181500		
025	143211-5	SIDE SUPPORT MAKITA		1				
D10		INC. 26						
026	806J44-6	MAKITA LOGO LABEL		1				
027	266475-5	H.L.TAPPING SCREW 5.5X20		2		73181500		
028	319268-0	AXLE FOR VIBRATION DAMPER		1		82079090		
029	424695-9	VIBRATION DAMPER		1		40169390		
030	346870-6	WASHER 5.8X26X2		1		40169390		
031	266687-0	TAPPING SCREW 5.5X45		1		73181500		
032	266687-0	TAPPING SCREW 5.5X45		1		73181500		
033	346871-4	WASHER		1				
034	424695-9	VIBRATION DAMPER		1		40169390		
035	851C80-5	EK7301 NAME PLATE		1				
036	143097-7	WRAP AROUND HANDLE CPL		1				
037	319270-3	FOOT, MACHINED		1		84679900		
038	266687-0	TAPPING SCREW 5.5X45		2		73181500		
039	424709-4	ADJUST GUIDE		1		84679900		
041	123309-4	COVER CPL. BLACK PRE-FILTER		1	*	84219900		
D10		INC. 42-45			*			
041-1	127087-8	FILTER COVER ASSEMBLY	<	1		84212900		
D10		INC. 42-45						
042	266692-7	THUMB SCREW M6X15		1		73181500		
043	123312-5	FILTER COVER COMPLETE		1				

Model No. EK7301 POWER CUTTER

Item	Parts No.	Description	I/C	Qty	N/O	Opt. 1	Opt. 2	Note
D10		INC. 44						
044	806J48-8	CAUTION LABEL		1	*			
044-1	807L79-2	CAUTION LABEL	O	1				
045	424700-2	PRE-FILTER		1		84213990		
053	266941-2	H.L. SOCKET HEAD BOLT M5X50		4		73181500		
054	123308-6	HOOD CPL. BLACK		1		84679900		
D10		INC. 55-57						
055	424697-5	PACKING RING		1				
056	806J50-1	CAUTION LABEL		1				
057	424703-6	DEKO COVER		1				
058	424701-0	AIR FILTER		1		84219900		
059	424705-2	INNER FILTER		1				
060	266960-8	H.L. SOCKET HEAD BOLT M5X20		2		73181500		
061	266946-2	H.L. SOCKET HEAD BOLT M5X12		1		73181500		
062	267821-5	SPRING WASHER 5		1		73182100		
063	161338-9	MUFFLER CPL.		1		84679900		
067	346876-4	MUFFLER GASKET		1		40169390		
068	346868-3	COOLING PLATE		1		84679900		
069	123310-9	INTAKE MANIFOLD CPL.		1	*	84679900		
D10		INC. 70,72,73			*			
D11		INC. 72,73			*			
069-1	127098-3	INTAKE MANIFOLD ASSEMBLY	S	1				
D11		INC. 72,73						
070	424699-1	TUBE BLACK RED		1	*			
071	161311-9	ANGULAR NIPPLE		1	*	73182990		
072	424708-6	INTAKE HOSE		1				
073	233625-7	SPRING CLAMP		1				
074	346867-5	GUIDE RING		1		40169390		
075	455808-1	CHOKE SHAFT		1		84831099		
076	326496-0	CHOKE LINKAGE		1		84679900		
077	266944-6	H.L. SOCKET HEAD BOLT M4X55		2		73181500		
078	424710-9	INSULATION TUBE		2				
079	346874-8	GASKET		1				
080	161312-7	CARBURETOR		1	*	84679900		
080-1	162533-4	CARBURETOR	S	1				
081	324616-0	HOSE CLAMP		1		73182990		
082	424698-3	TUBE 3-120		1				
083	424696-7	RUBBER GROMMET		1				
084	326499-4	NIPPLE		1				
085	806K78-5	MAKITA LOGO LABEL		1				
086	123357-3	STARTING DEVICE CPL. BLUE		1		84679900		
D10		INC. 87-94			*			
D11		INC. 87-94,202						
087	267862-1	SPRING WASHER 5		1		73182200		
088	452458-3	STARTER GRIP		1		40169390		
089	266938-1	H.L. SOCKET HEAD BOLT M5X20		4		73181500		
090	123315-9	STARTER HOUSING BLUE		1		84679900		
091	140587-1	REWIND SPRING COMPLETE		1		73209090		

Model No. EK7301 POWER CUTTER

Item	Parts No.	Description	I/C	Qty	N/O	Opt. 1	Opt. 2	Note
092	143098-5	CABLE DRUM COMPLETE		1		84679900		
093	455805-7	AIR GUIDE PLATE		1				
094	257997-6	RETAINING RING A14X1V		1		40169390		
095	264107-8	HEXAGONAL NUT M8		1		73181500		
096	267822-3	SPRING WASHER 8		1		73182200		
097	123306-0	FLYWHEEL D=120 CPL		1		84679900		
D10		INC. 98-100						
098	326500-5	BEARING BOLT		2	*			
098-1	327728-8	BEARING BOLT	<	2				
099	346865-9	STARTER-RATCHET		2				
100	233535-8	TORSION SPRING 13		2				
101	632E41-4	CABLE WITH PLUG		1				
103	346869-1	CONTACT SPRING		1		73209090		
104	266942-0	H.L. SOCKET HEAD BOLT M5X20		2		73181500		
105	451462-9	ISOLATING WASHER		2		73182200		
106	161310-1	IGNITION COIL CDIM 120-15		1		84679900		
107	424706-0	PLUG CAP		1		84679900		
108	234358-7	TERMINAL SPRING		1		73209090		
109	168517-0	SPARK PLUG		1		85111000		
111	455819-6	HOOD		1		84679900		
112	266940-4	H.L. SOCKET HEAD BOLT M5X15		3		73181500		
113	266945-4	H.L. SOCKET HEAD BOLT M5X30		5		73181500		
114	213814-0	RADIAL RING		1		73182990		
115	264108-6	SQUARE NUT M5		1		73181600		
116	424707-8	RUBBER SHEET		1		40169390		
117	143226-2	CRANKCASE MS CPL.		1				
D10		INC. 120						
118	258038-1	CLAMPING PIN		2		73182990		
119	346877-2	CRANK CASE GASKET		1		40169390		
120	211154-0	BALL BEARING 6202		1		84821090		
121	266473-9	H.L. SOCKET HEAD BOLT M5X23		4	*	73181500		
121-1	266473-9	H.L. SOCKET HEAD BOLT M5X23	O	4		73181500		
122	455804-9	DECOMPRESSION VALVE		1		84818090		
123	161319-3	CYLINDER PISTON SET		1	*			
D10		INC. 125-129			*			
123-1	183H02-0	CYLINDER PISTON SET	<	1				
D10		INC. 125-129						
125	234360-0	CIRCLIP 12		1	*			
125-1	234359-5	CIRCLIP 12	<	1		73182990		
126	257840-9	PISTON PIN		1				
127	319281-8	PISTON D50 SLR		1	*			
127-1	198663-5	PISTON SET	X	1				
D10		INC. 125,126,128,129						
128	257377-6	PISTON RING		1				
129	234359-5	CIRCLIP 12		1		73182990		
130	346873-0	GASKET		1		40169340		
131	212133-1	PISTON PIN BEARING 12X16X13		1				
132	254042-8	WOODRUFF-KEY 3X3,7		1		82079090		

Model No. EK7301 POWER CUTTER

Item	Parts No.	Description	I/C	Qty	N/O	Opt. 1	Opt. 2	Note
133	143107-0	CRANKSHAFT CPL.		1				
134	211154-0	BALL BEARING 6202		1		84821090		
135	143225-4	CRANKCASE CS CPL		1				
D10		INC. 134						
136	213814-0	RADIAL RING		1		73182990		
137	234366-8	SNAP RING A 16		1		40169390		
138	346872-2	STOP RING		1		40169320		
139	346866-7	GUIDE DISK		1		84679900		
140	161317-7	CLUTCH DRUM CPL.		1				
D10		INC. 141						
141	212134-9	NEEDLE ROLLER BEARING 15X21X16		1				
142	267389-1	FLAT WASHER 12		1		73182200		
143	123305-2	CLUTCH, CPL		1				
D10		INC. 144						
144	231892-8	TENSION SPRING		3	*			
144-1	231896-0	TENSION SPRING	O	3	*			
144-2	232352-3	TENSION SPRING 6	O	3	*	73209090		
144-3	232352-3	TENSION SPRING 6	O	3		73209090		
145	424712-5	V-BELT		1				
146	455832-4	CLUTCH COVER		1		84679900		
147	266947-0	H.L. SOCKET HEAD BOLT M5X14		3				
150	266976-3	HEX. BOLT M8X25		1				
151	224443-4	FLANGE 102		1		73182990		
152	326503-9	AXLE		1				
153	224443-4	FLANGE 102		1		73182990		
154	257375-0	SPACER, 8MM		1				
155	318746-7	PRESSURE RING		1		73182990		
156	442169-8	SLIDING DISC		1		68042390		
157	424426-6	RUBBER RING(INNER)		1		40169320		
158	424427-4	RUBBER RING(OUTER)		1		40169320		
159	442169-8	SLIDING DISC		1		68042390		
160	346455-8	IMPACT PLATE		1		73182200		
161	806J84-4	CAUTION LABEL		1				
162	143796-1	HOOD COMPLETE		1				
D10		INC. 161						
163	452938-9	GRIP		1		40169390		
164	266725-8	H.L.SOCKET HEAD BOLT M5X16		2	*	73181500		
164-1	265642-9	H.L.SOCKET HEAD BOLT M5X16	O	2				
165	319286-8	CUTTING DEVICE 14 MACHINED		1				
167	257998-4	RETAINING RING 40X1,75		1		40169390		
168	211281-3	BALL BEARING 6203LLU		1		84821090		
169	257998-4	RETAINING RING 40X1,75		1		40169390		
170	257375-0	SPACER, 8MM		1				
171	211281-3	BALL BEARING 6203LLU		1		84821090		
172	213625-3	O-RING 9		1		40169320		
173	123307-8	STOP BOLT CPL.		1				
D10		INC. 172						
174	266688-8	HEX. BOLT M8		2		73181500		

Model No. EK7301 POWER CUTTER

Item	Parts No.	Description	I/C	Qty	N/O	Opt. 1	Opt. 2	Note
175	234216-7	COMPRESSION SPRING 8		3		73209090		
176	266689-6	H.L.COLLAR BOLT M6		3		73181500		
177	222180-4	PULLEY COMPLETE		1		84679900		
178	266976-3	HEX. BOLT M8X25		1				
180	346457-4	PLATE		1		73182200		
181	264112-5	SQUARE NUT M6		1		73181600		
182	234215-9	COMPRESSION SPRING 6		1		73209090		
183	455956-6	BELT COVER		1				
184	266691-9	TENSIONING SCREW M6		1	*	73181500		
184-1	265644-5	TENSIONING SCREW M6	O	1				
185	252145-2	COLLARED HEX NUT M8		2		73181500		
192	183F34-5	STARTER-RATCHET SET		2				
	D10	INC. 98,99,100						
201	422383-2	SEALING	S	1				
202	422655-5	STARTER ROPE		1				
A01	197200-2	TOOL KIT		1	*			
	C10	782025-3	TORX WRENCH	1	*	82041120		
	C20	782028-7	UNIVERSAL WRENCH 13-19	1	*			
	C30	783012-5	SCREWDRIVER	1	*	82045000		
	C40	831340-3	TOOL BAG	1	*	42022990		
A01-1	197200-2	TOOL KIT	O	1				
	C10	782025-3	TORX WRENCH	1		82041120		
	C20	782028-7	UNIVERSAL WRENCH 13-19	1				
	C30	783012-5	SCREWDRIVER	1		82045000		
	C40	831340-3	TOOL BAG	1		42022990		
B01	135924-2	BELT COVER ASS'Y		1		84679900		
	D10	INC. 180-184						
E01	809P12-4	CLEAR LABEL		1				