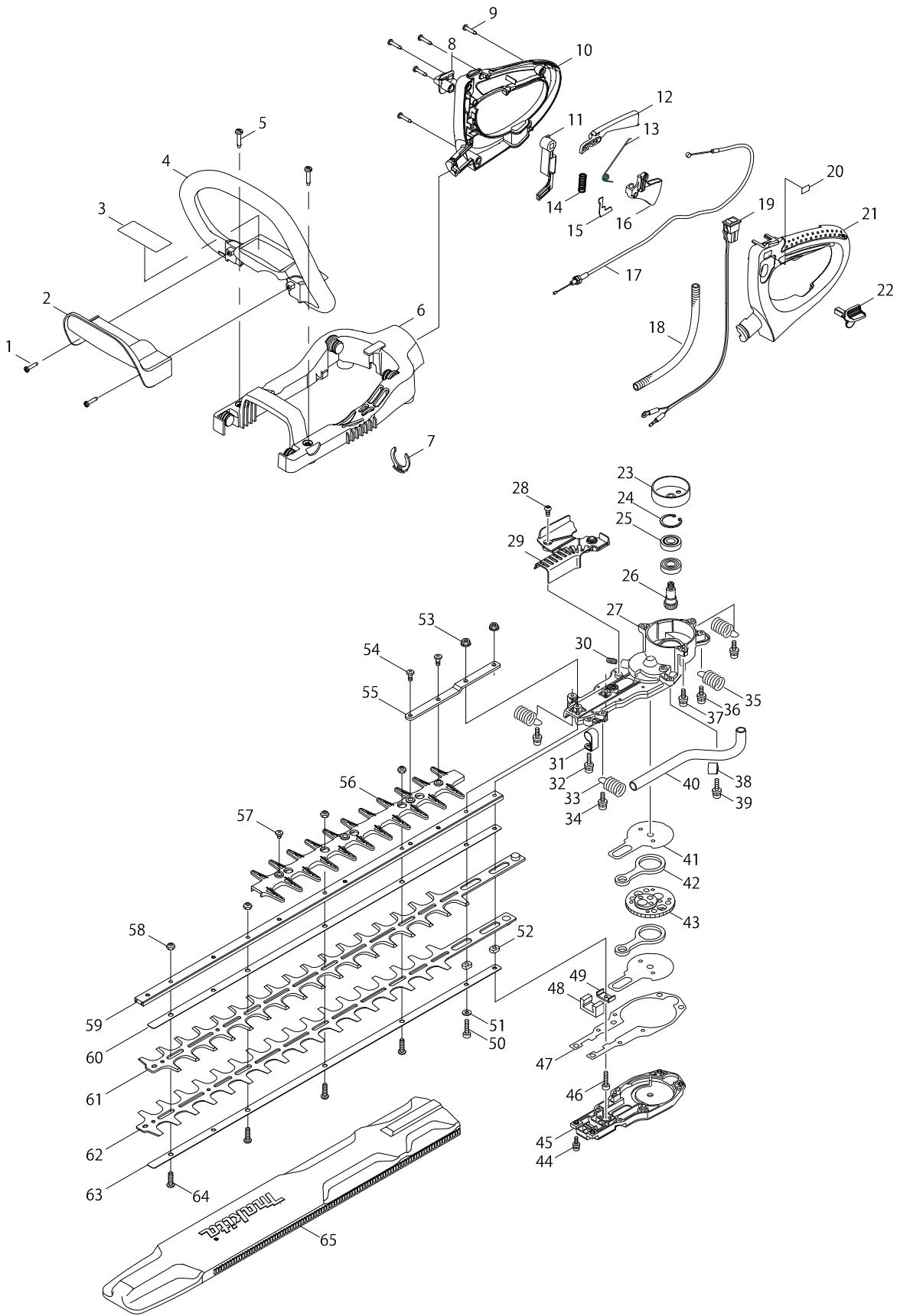
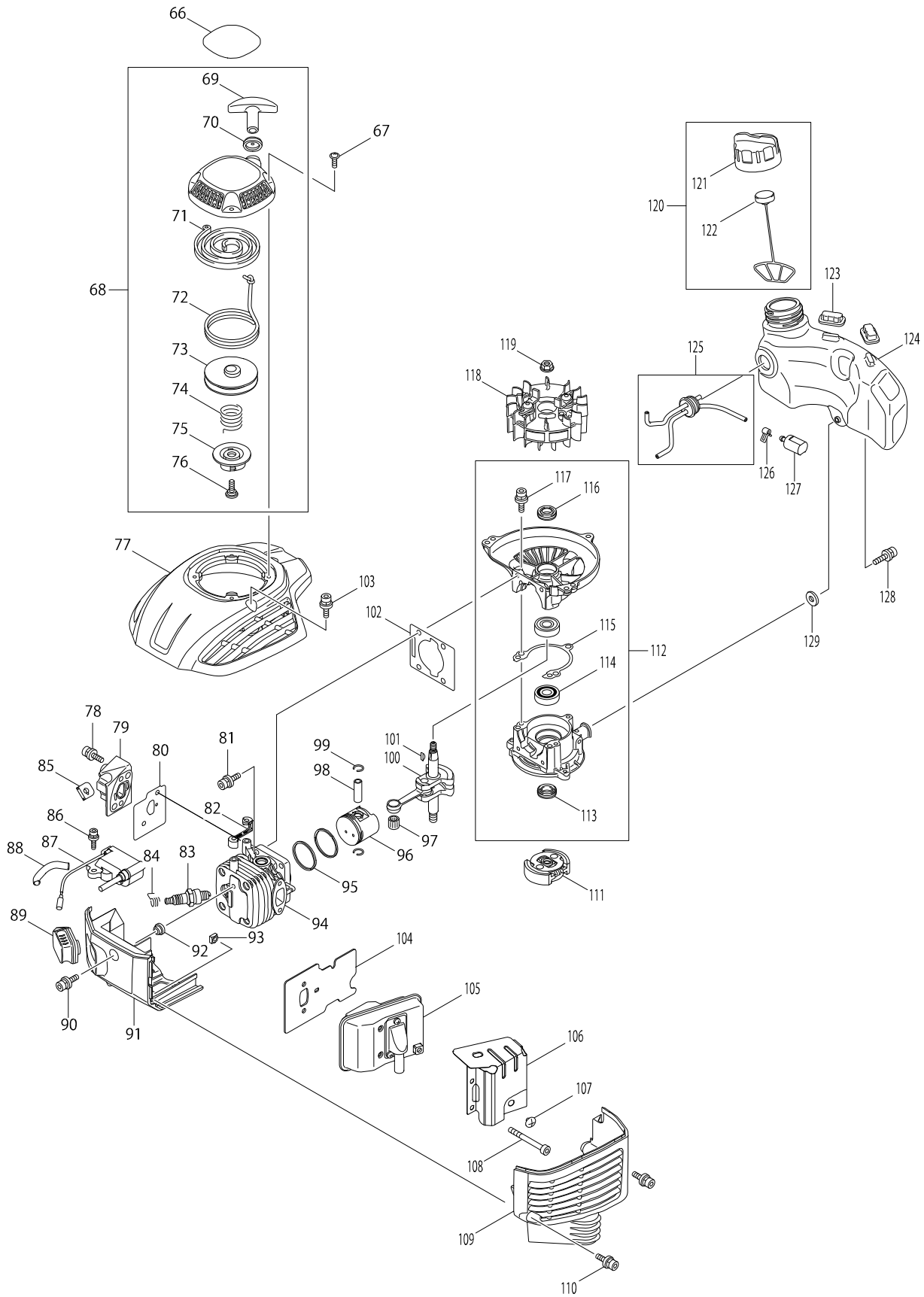


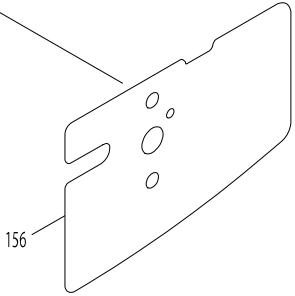
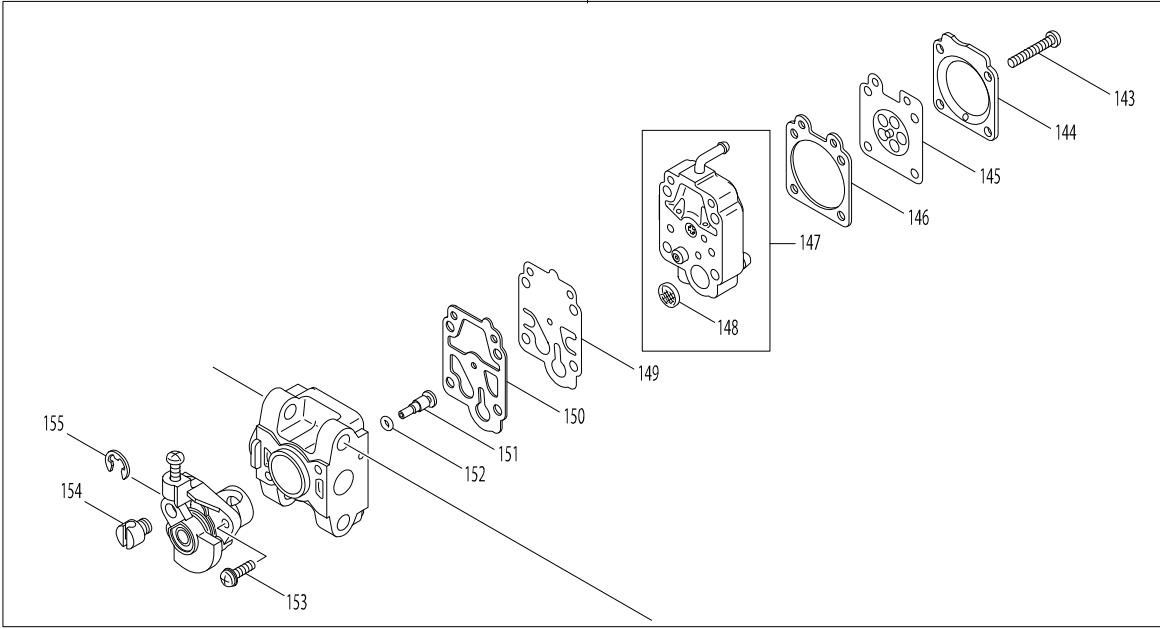
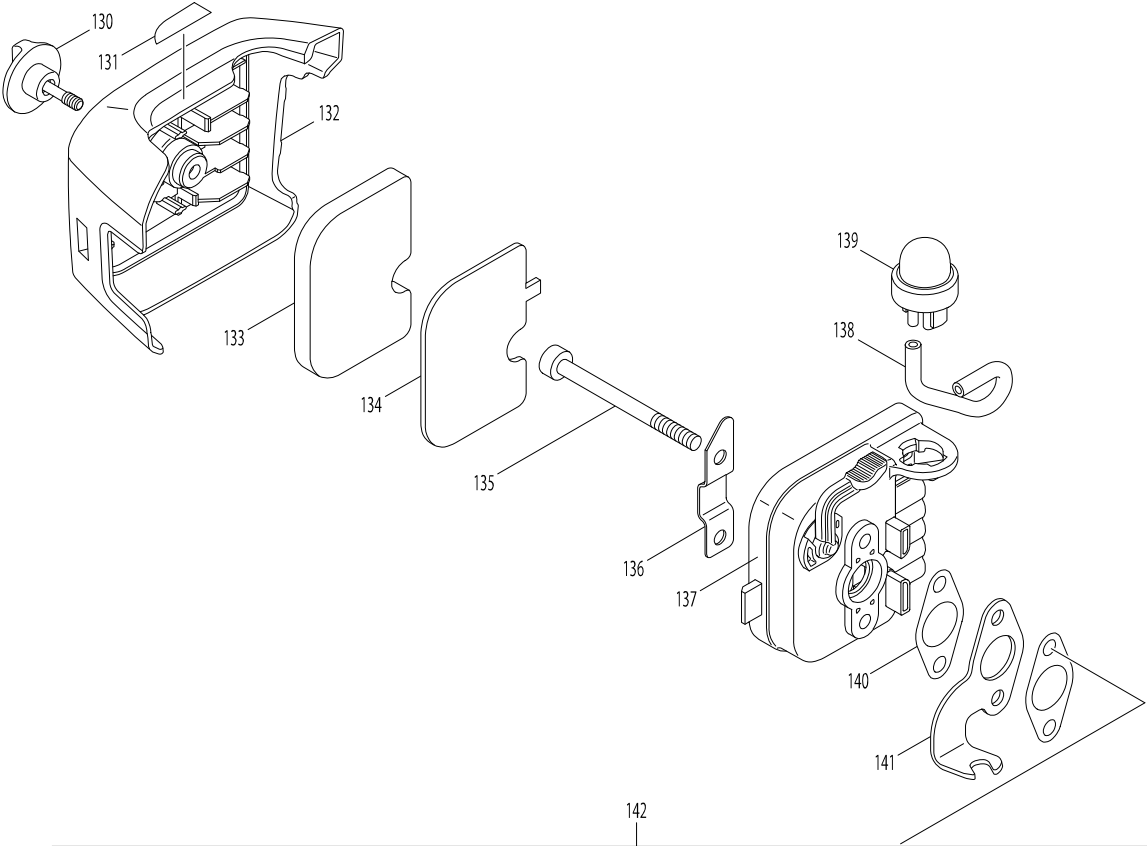
# Model No. EH6000W PETROL HEDGE TRIMMER



# Model No. EH6000W PETROL HEDGE TRIMMER



**Model No. EH600W PETROL HEDGE TRIMMER**



# Model No. EH600W PETROL HEDGE TRIMMER

Item	Parts No.	Description	I/C	QTY	N/O	Opt. 1	Opt. 2	NOTE
001	266045-0	TAPPING SCREW 4X20		2		73181500		
002	452322-8	GUARD		1		73182990		
003	819813-6	CAUTION LABEL		1		39199090		
004	452321-0	LOOP HANDLE		1		73262090		
005	266041-8	TAPPING SCREW 5X25		2		73181500		
006	452319-7	HANDLE BASE		1		73182990		
007	452323-6	STOP RING 25		1		73182990		
008	452316-3	LOCK LEVER B		1		73262090		
009	266045-0	TAPPING SCREW 4X20		5		73181500		
011	452314-7	STOPPER		1		73182990		
012	452313-9	TRIGGER B		1		73182990		
013	233579-8	TORSION SPRING 8		1		73209090		
014	234204-4	COMPRESSION SPRING 8		1		73209090		
015	413153-0	PLATE		1		73182990		
016	452312-1	TRIGGER A		1		73262090		
017	168625-7	CONTROL CABLE		1		85442090		
018	452324-4	CORRUGATE TUBE		1		39269099		
019	125858-7	SWITCH ASSEMBLY		1		85365090		
020	892384-8	INDICATION LABEL		1		39199090		
021-1	187049-8	LEVER CASE SET		1		84679900		
022	452315-5	LOCK LEVER A		1		73262090		
023	168567-5	CLUTCH DRUM		1		84836090		
024	0031428000	INNER SNAP RING		1	*			
024-1	962106-1	RETAINING RING R-28	O	1		73182990		
025	0600129780	BALL BEARING		2	*			
025-1	211138-8	BALL BEARING 6001LLU	O	2		84821090		
026	227247-3	SPUR GEAR 9		1	*	84834000		
026-1	221600-5	SPUR GEAR 9	O	1				
027	141033-7	GEAR CASE COMPLETE		1		84679900		
028	0119059400	SOCKET HEAD BOLT M5X12		2	*			
028-1	922212-4	HEX. SOCKET HEAD BOLT M5X12	O	2		73181500		
029	451865-7	BAFFLE PLATE		1		73262090		
030	243107-1	GREASE NIPPLE		1		40169390		
031	346253-0	CLAMP		1		73262090		
032-1	922213-2	H.S.H.BOLT M5X12 WITH WR		1		73181500		
033	234224-8	COMPRESSION SPRING 15		2		73209090		
034	0119059360	SOCKET HEAD BOLT		2	*			
034-1	922224-7	H.S.H.BOLT M5X16 WITH WG	O	2				
035	234202-8	COMPRESSION SPRING 15		2		73209090		
036	0119059360	SOCKET HEAD BOLT		2	*			
036-1	922224-7	H.S.H.BOLT M5X16 WITH WG	O	2				
037-1	266787-6	H.S.H.BOLT M5X18 WITH WR		3		73181500		
038	346252-2	CLAMP		1		73262090		
039-1	922213-2	H.S.H.BOLT M5X12 WITH WR		1		73181500		
040	331896-1	PIPE		1		39269099		
041	346255-6	FRICTION PLATE		2		73182990		
042	346251-4	CONNECTING ROD		2		73182990		
043	227248-1	SPUR GEAR 43		1	*	84834000		

Item	Parts No.	Description	I/C	QTY	N/O	Opt. 1	Opt. 2	NOTE
043-1	227248-1	SPUR GEAR 43	O	1		84834000		
044	922128-3	HEX. SOCKET HEAD BOLT M4X16		8		73181500		
045	318610-2	GEAR CASE COVER		1		73182990		
046-1	266573-5	HEX. SOCKET HEAD BOLT M5X33		1		73181500		
047	413137-8	GEAR CASE GASKET		1		40169390		
048	443159-4	SEAL		1		40169390		
049	346256-4	HOLDER		1		82078000		
050-1	266573-5	HEX. SOCKET HEAD BOLT M5X33		1		73181500		
051	0031105003	WASHER		1	*			
051-1	941101-4	FLAT WASHER 5	O	1		73182200		
052	313195-3	SLEEVE 5		2		73182990		
053	0023705000	FLANGE NUT M5		2				
054	266875-9	H.S.H.BOLT M5X8		2		73181500		
055	346662-3	PLATE		1		82078000		
058	264036-5	HEX.LOCK NUT M6-10		4		73181600		
059	331895-3	GUIDE BAR		1		84679900		
060	346258-0	PLATE		1		73182990		
061	725170-1	SHEAR BLADE		1		82024000		
062	725170-1	SHEAR BLADE		1		82024000		
063	346258-0	PLATE		1		73182990		
064	266578-5	SOCKET BUTTON HEAD BOLT M6X20		4		73181500		
065	454278-1	BLADE COVER		1		84679900		
066	892378-3	EH6000W MODEL NO.LABEL		1	*	39199090		
066-1	812N55-5	EH6000W MODEL NO. LABEL	O	1				
067	0150049860	TAPPING SCREW M4X14		4				
068	125753-1	RECOIL STARTER ASSEMBLY		1		84679900		
D10		INCL.69-76						
069-1	424319-7	STARTER KNOB		1		84679900		
070-1	424359-5	DAMPER		1		84679900		
071-1	232258-5	SPIRAL SPRING		1		73209090		
072	444028-2	STARTER,ROPE		1		56079090		
073	452402-0	REEL		1		73182990		
074	233991-2	DAMPER,SPRING		1		73209090		
075	452403-8	CAM PLATE		1		73182990		
076-1	266585-8	TAPPING SCREW 5X12		1		73181500		
077	452948-6	BLOWER HOUSING		1		84679900		
078-1	266760-6	H.S.H.BOLT M5X18 WITH WRM		2		73181500		
079	451911-6	INSULATOR		1		73262090		
080	346268-7	INSULATOR GASKET		1		40169390		
081-1	266787-6	H.S.H.BOLT M5X18 WITH WR		4		73181500		
082	452556-3	SPACER		1		73182990		
083-1	168401-9	SPARK PLUG		1		40169390		
084-1	324891-8	PLUG CAP SPRING		1		73209090		
085-1	424491-5	GROMMET		1		40169390		
086	0119049970	SOCKET HEAD BOLT M4X20		2	*			
086-1	922138-0	H.S.H.BOLT M4X20 WITH WR	O	2		73181500		
087	168684-1	IGNITION COIL		1		84679900		
088-1	412102-4	TUBE		1		40169390		

# Model No. EH6000W PETROL HEDGE TRIMMER

Item	Parts No.	Description	I/C	QTY	N/O	Opt. 1	Opt. 2	NOTE
089	424302-4	PLUG CAP		1		40169390		
090	0119059620	SOCKET HEAD BOLT M5X18		1	*			
090-1	266760-6	H.S.H.BOLT M5X18 WITH WRM	O	1		73181500		
091	451860-7	CYLINDER COVER		1		73262090		
092	5503503001	SPACER		1				
093-2	264050-1	SQUARE NUT M5-8		1		73181600		
094-1	141381-4	CYLINDER COMPLETE		1		84679900		
095-1	257334-4	PISTON RING 33		2		73182990		
096-1	318858-6	PISTON		1		84834000		
097-1	212702-8	NEEDLE CAGE 810		1		73182990		
098-1	256543-2	PISTON PIN 8		1		73182990		
099-1	234243-4	CLIP		2		73182990		
100	140429-9	CRANKSHAFT COMPLETE		1		84831099		
101-1	254041-0	WOODRUFF KEY		1		84679900		
102	346267-9	CYLINDER GASKET		1		40169390		
103-1	266787-6	H.S.H.BOLT M5X18 WITH WR		3		73181500		
104	346260-3	MUFFLER GASKET		1		40169390		
105-1	161555-1	MUFFLER		1	*	84679900		
105-2	162530-0	MUFFLER	<	1				
106	346343-9	MUFFLER COVER		1		84679900		
107	0140059962	SCREW M5X5		1				
108-1	266754-1	SOCKET HEAD BOLT		2		73181500		
109	451861-5	MUFFLER COVER		1		73262090		
110	0119059620	SOCKET HEAD BOLT M5X18		2	*			
110-1	266760-6	H.S.H.BOLT M5X18 WITH WRM	O	2		73181500		
111-1	141150-3	CLUTCH COMPLETE		1		84836090		
112	5231016000	CRANKCASE ASSEMBLY		1				
D10		INCL.113-117						
113-2	213769-9	OIL SEAL 10		1		73209090		
114-2	211064-1	BALL BEARING 6000		2		84821090		
115	413139-4	CRANKCASE GASKET		1		40169390		
116-2	213769-9	OIL SEAL 10		1		73209090		
117-1	266787-6	H.S.H.BOLT M5X18 WITH WR		3		73181500		
118	126046-9	FLYWHEEL ASSEMBLY		1		84679900		
119-1	264073-9	CORNED DISC SPRING HEX NUT M6		1		73181600		
120	125770-1	FUEL TANK CAP ASSEMBLY		1	*	84679900		
D10		INCL.121,122			*			
120-1	127110-9	FUEL TANK CAP ASSEMBLY	O	1				
D10		INCL.121,122						
121	125840-6	FUEL TANK CAP ASSEMBLY		1	*	84679900		
122	140624-1	STRAP COMPLETE		1	*			
123	424080-6	BUFFER RUBBER		2		40169390		
124	451867-3	FUEL TANK		1	*	84679900		
124-1	458743-2	FUEL TANK	S	1				
125	168568-3	FUEL TUBE ASSEMBLY		1		40169390		
126-1	345920-4	HOSE CLAMP		1		73182990		
127-1	163518-3	GASOLINE FILTER		1		84679900		
128	0119059350	SOCKET HEAD BOLT M5X20		1	*			

**Model No. EH600W PETROL HEDGE TRIMMER**

Item	Parts No.	Description	I/C	QTY	N/O	Opt. 1	Opt. 2	NOTE
128-1	251583-5	H.SOCKET HEAD SHOULDER BOLT M	S	1				
129	452197-5	SPACER		1	*	73182990		
129-1	458095-1	SPACER	S	2				
130	265791-2	THUMB SCREW M4		1		73181500		
131	819818-6	CHOKE INDICATION LABEL		1		39199090		
132	451859-2	AIR CLEANER COVER		1		73182990		
133	443157-8	AIR FILTER		1		84219900		
134	443158-6	AIR FILTER		1		84219900		
135	0119059710	SOCKET HEAD BOLT M5X60		2	*			
135-1	266618-9	H.S.BUTTON HEAD BOLT M5X60	O	2				
136-2	346647-9	PLATE		1		73182990		
137	126029-9	AIR CLEANER PLATE ASSY		1		73182990		
138	412097-1	TUBE		1		40169390		
139-1	168398-2	PRIMER PUMP		1		84133090		
140-1	413158-0	CARBURETOR GASKET		2		40169390		
141	346334-0	CABLE BRACKET		1		73182990		
142	168569-1	CARBURETOR		1		84679900		
D10		INCL.143-155						
143-2	WJ00096325	SCREW		4		73181500		
144-2	WJ00021158	METERING DIAPHRAGM COVER		1		73182990		
145-1	168620-7	METERING DIAPHRAGM		1		40169390		
146-1	442183-4	METERING DIAPHRAGM GASKET		1		40169390		
147	140661-5	BODY ASSEMBLY-PUMP		1		84679900		
D10		INCL.148						
148-2	WJ00014070	INLET SCREEN		1		84679900		
149-2	WJ00009599	PUMP DIAPHRAGM		1		40169390		
150-1	442155-9	PUMP GASKET		1		40169390		
151	326005-5	JET		1		84679900		
152-1	213538-8	O RING 2		1		40169320		
153-2	WJ00096364	SCREW M3X8 WITH WASHER		2		73181500		
154-1	325922-6	SWIVEL		1		84679900		
155-1	257964-1	STOP RING E-3		1		73182990		
156	413147-5	CARBURETOR GASKET		1		40169390		
157	286284-6	CAP		1		39269099		
158-1	286284-6	CAP		1	*	39269099		
159	814E64-6	SERIAL NO. LABEL		1		83100090		
A01	195259-3	TOOL SET		1	*	82079090		
A01-1	782233-6	BOX DRIVER 10-16	S	1		84679900		
A02	196969-5	END COVER SET		1				
A05	783223-2	HEX. WRENCH 4		1		82041120		