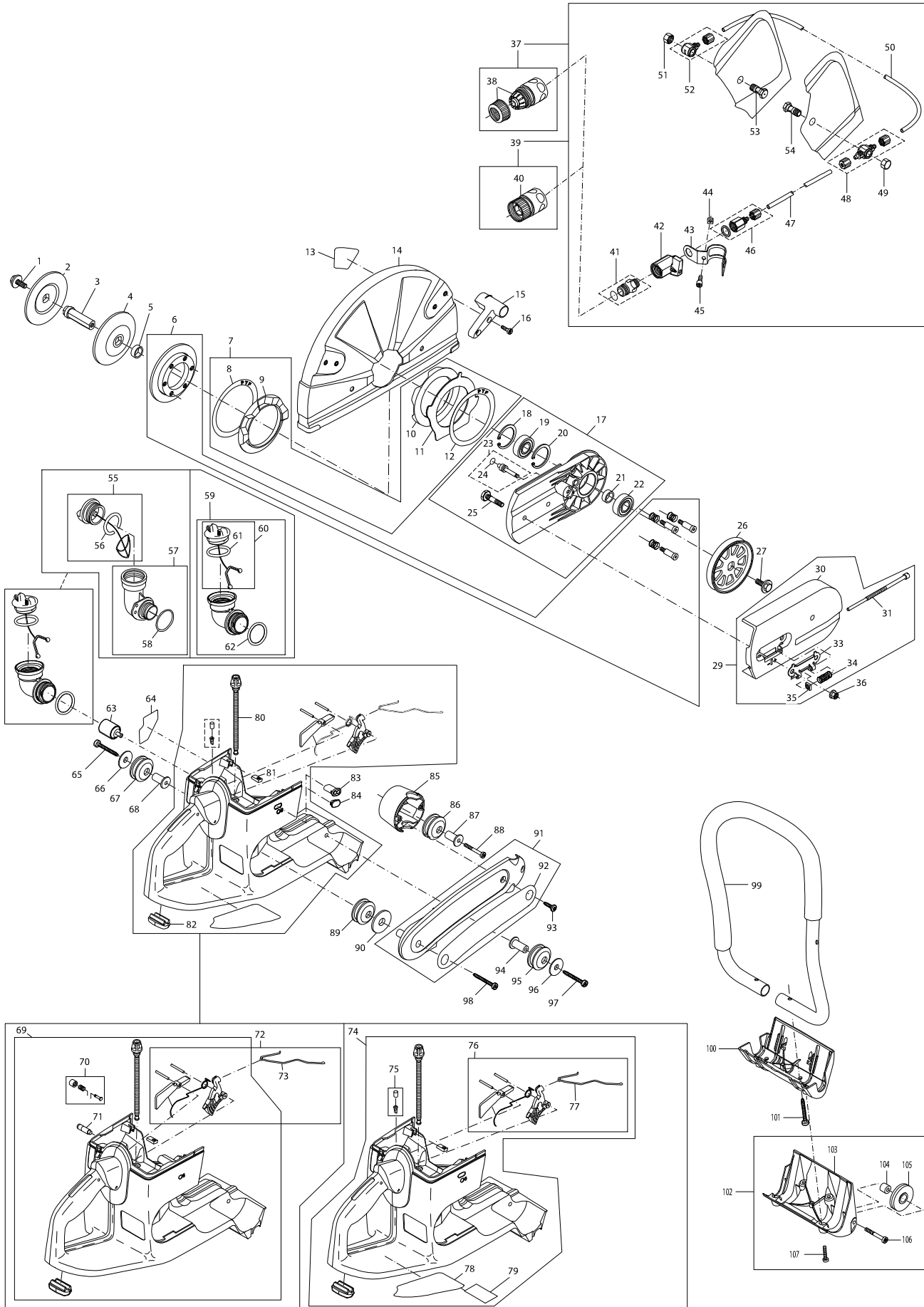
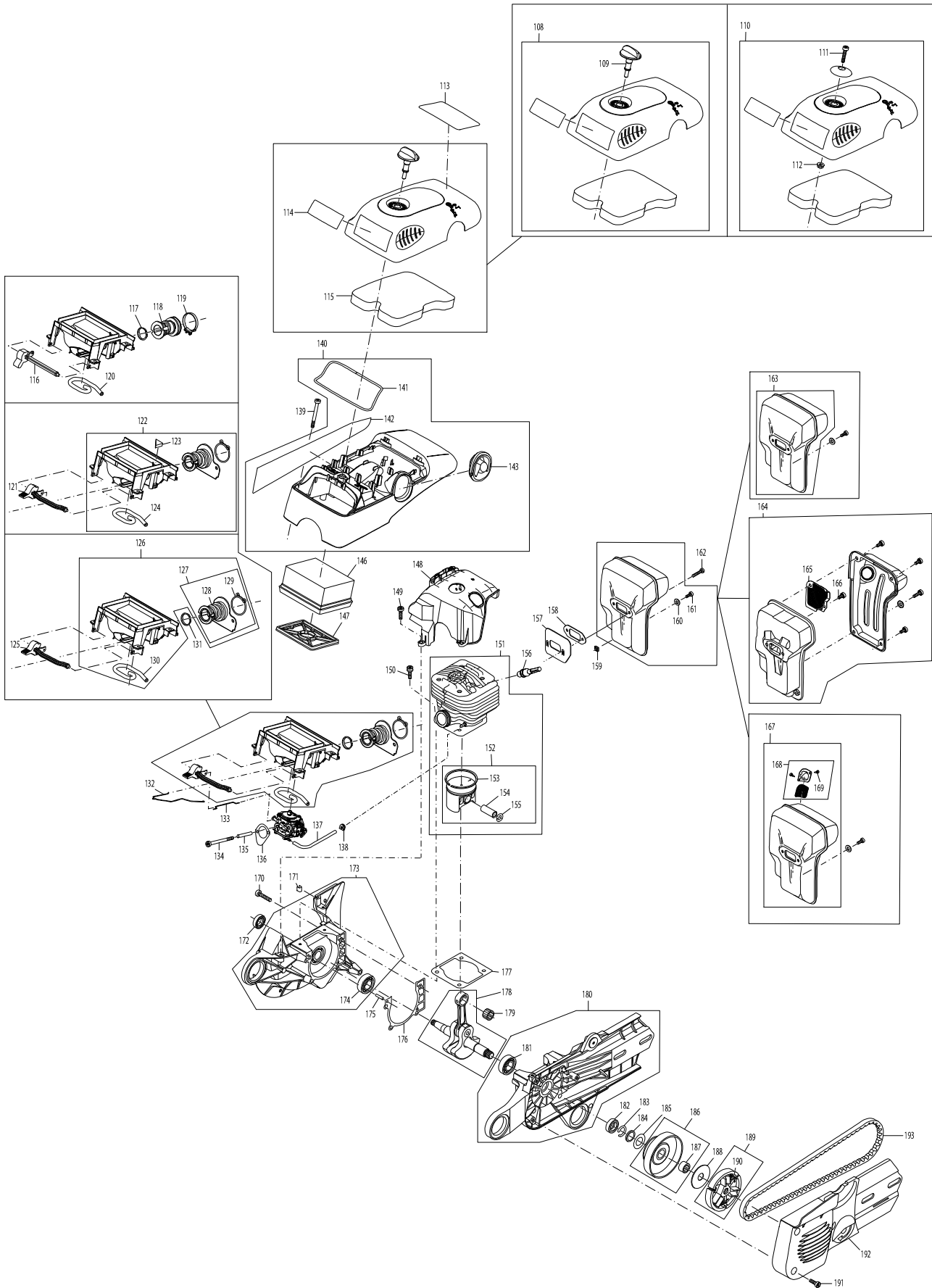


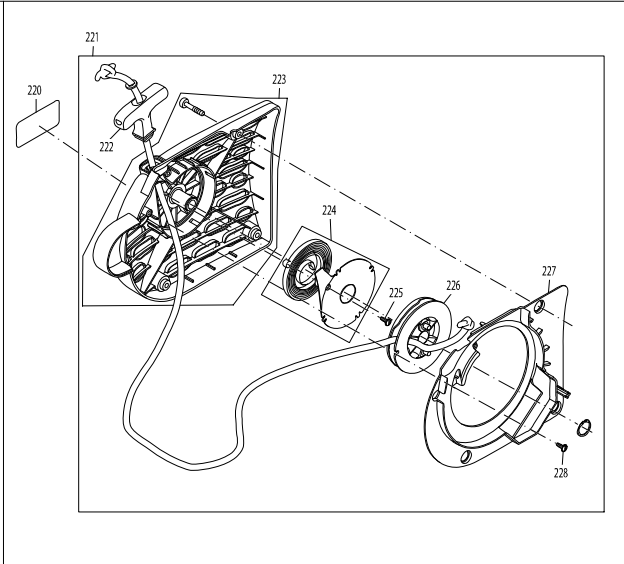
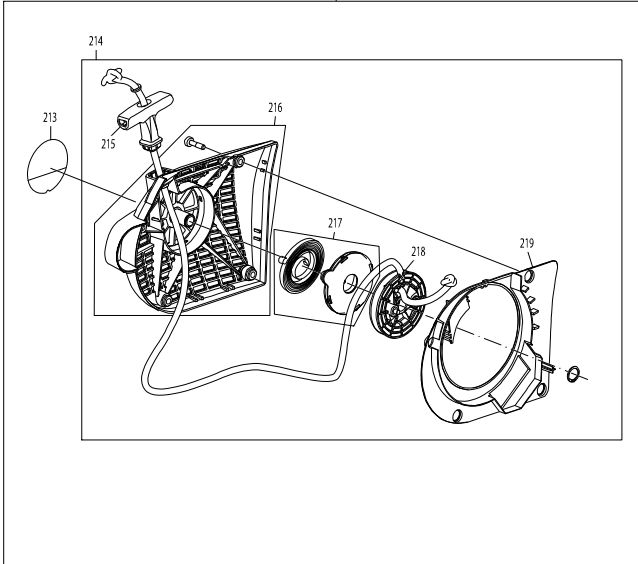
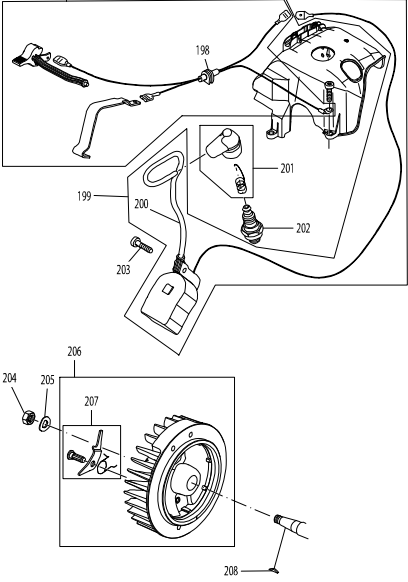
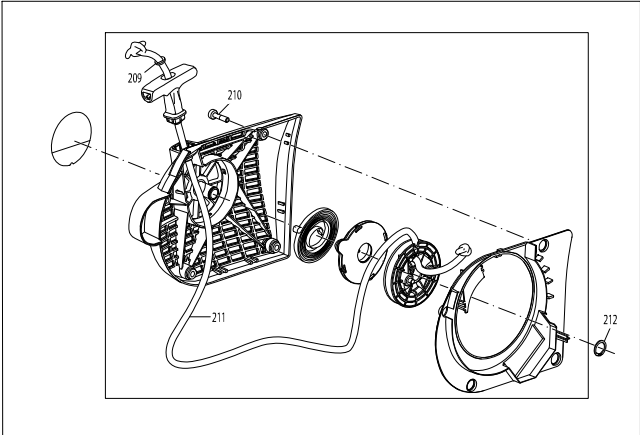
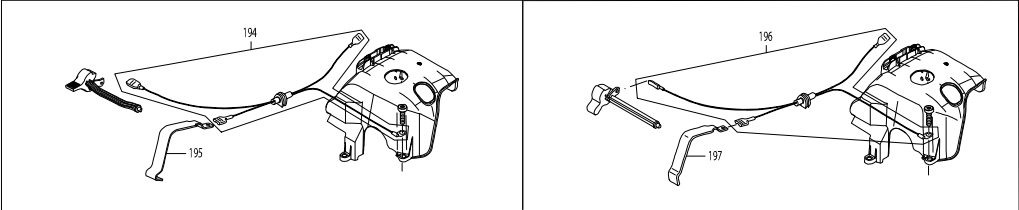
Model No. DPC6430 POWER CUTTER



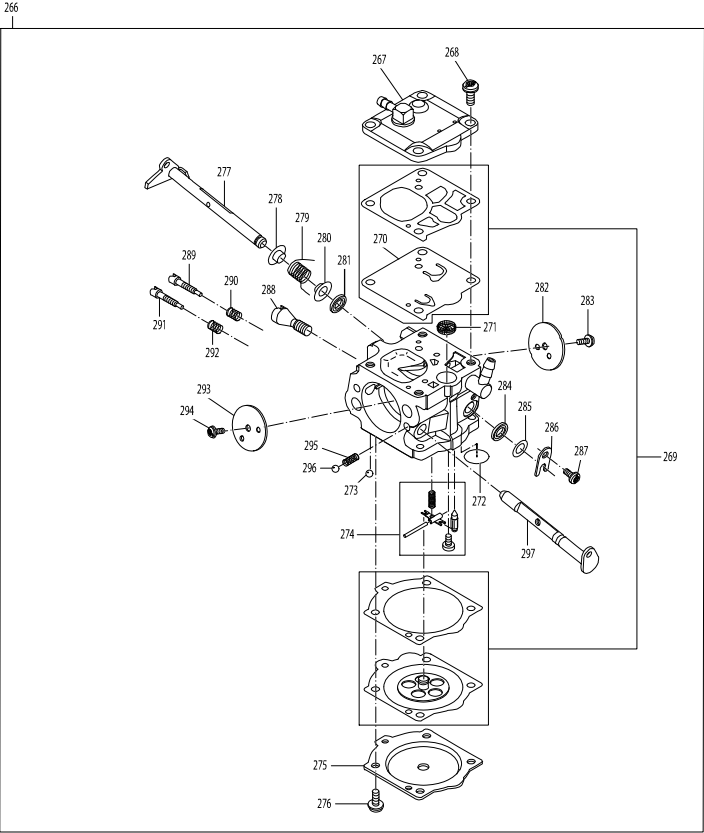
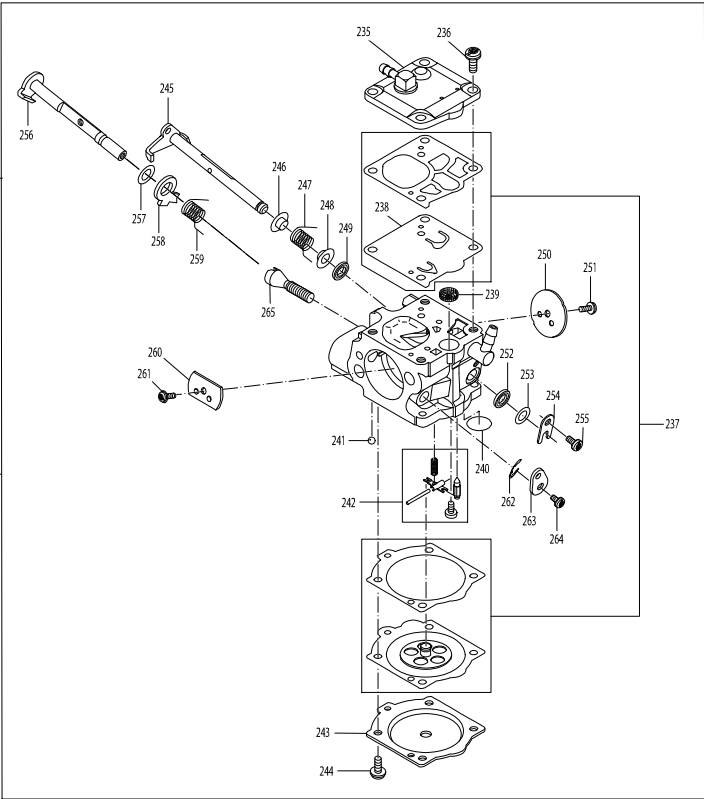
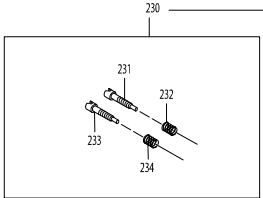
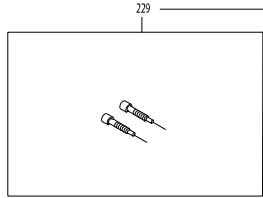
Model No. DPC6430 POWER CUTTER



Model No. DPC6430 POWER CUTTER



Model No. DPC6430 POWER CUTTER



Model No. DPC6430 POWER CUTTER

Item	Parts No.	Description	I/C	Qty	N/O	Opt. 1	Opt. 2	Note
001	994290250	HEX BOLT W/WASHER M8X25		1				
002	326228020	FLANG		1				
003A	394228101	SPNDLE SHAFT 20MM		1				
003B	394228130	SPNDLE SHAFT 22.2MM (7/8")		1				
003C	394228111	SPNDLE SHAFT 25.4MM (1")		1				
004	326228020	FLANG		1				
005	394228022	SPACER		1				
006	394342211	PRESSURE RING CPL.		1				
007	957342011	PROT.HOOD MOUNTING,CPL		1				
D10		INC. 8-12						
008	394342180	SLIDING DISC		1				
009	965404920	RUBBER RING INT.		1				
010	965404900	RUBBER RING EXT.		1				
011	394342160	IMPACT PLATE		1				
012	394342180	SLIDING DISC		1				
013	980114972	SAFETY LABEL 300MM/20MM		1				
013A_	980115557	SAFETY LABEL 300MM/25.4MM		1				
014	325341611	HOOD		1				
015	326341301	GRIP FOR PROTECTIVE HOOD		1				
016	908605165	H.L SOCKET HEAD BOLT M5X16		2	*			
016-1	266725-8	H.L.SOCKET HEAD BOLT M5X16	O	2		73181500		
017	394211740	CUTTING DEVICE ASSY.		1				
D10		INC. 18-23,25						
018	929240180	RETAINING RING		1				
019	960102176	BALL BEARING		1				
020	929240180	RETAINING RING		1				
021	394228022	SPACER		1				
022	960102176	BALL BEARING		1				
023	394342190	BOLT CPL.		1				
D10		INC. 24						
024	963209020	PACKING RING		1				
025	394211091	TIGHTEN LOCKING BOLT M8		2				
026	394221050	V-BELT PULLEY		1				
027	994290250	HEX BOLT W/WASHER M8X25		1				
029	395211640	COVER CPL.		1				
D10		INC. 30,31,33-35						
030	395211620	COVER		1				
031	394213032	TENSION SCREW		1				
033	394213021	METAL SHEET		1				
034	394342120	PURESSURE SPRING		1				
035	921906004	SQUARE NUT M6		1				
036	923208004	HEX. FLANGE NUT M8(BAR NUT)		2	*			
036-1	252145-2	COLLARED HEX NUT M8	O	2		73181500		
037	394365102	WATER ATTACHMENT KIT		1				
D10		INC. 38,41-54						
038	964802273	COUPLING SLEEVE STOP		1				
041	964802282	HOSE CONNECTOR		1				
042	964802291	SHUT OFF COCK		1				

Item	Parts No.	Description	I/C	Qty	N/O	Opt. 1	Opt. 2	Note
043	394365163	CLAMP		1				
044	921906004	SQUARE NUT M6		1				
045	909006145	H.L SOCKET HEAD BOLT M6X14		1	*			
045-1	266950-1	H.L.SOCKET HEAD BOLT M6X14	O	1		73181500		
046	964802410	CONNECTING PIECE		1				
047	964802322	HOSE		1				
048	964802332	CONNECTING PIECE T		1				
049	964802362	CAP NUT		1				
050	964802322	HOSE		1				
051	964802362	CAP NUT		1				
052	964802342	CONNECTING PIECE L		1				
053	964802352	NOZZLE BANJO BOLT		1				
054	964802352	NOZZLE BANJO BOLT		1				
055	010114091	TANK CAP CPL.,FUEL		1				
D10		INC. 56						
056	963230031	O-RING		1				
057	010114081	ANGLAR UNION ASSY.		1				
D10		INC. 58						
058	963230031	O-RING		1				
059	395114300	TANK CAP WITH ELBOW UNION		1				
D10		INC. 60,62						
060	181114202	TANK CAP CPL.		1	*			
D10		INC. 61			*			
060-1	168507-3	TANK CAP COMPLETE	O	1		40169390		
D10		INC. 61						
061	963229036	PACKING RING		1	*			
061-1	213080-9	O RING 29.5	O	1		40169320		
062	963229036	PACKING RING		1	*			
062-1	213080-9	O RING 29.5	O	1		40169320		
063	010114010	SUCTION HEAD(FUEL)		1	*			
C10	010114020	REP.KIT, FILTER(FELT ELEMENT)		1	*			
063-1	163499-1	SUCTION HEAD	O	1		84679900		
065	913455454	H.L.TAPPING SCREW 5,5X45		1				
066	900005078	WASHER		1				
067	965403535	RUBBER BUFFER		1				
068	394114281	AXLE		1				
069	394114605	TANK CPL. BLUE		1				
D10		INC. 70-72,80-82						
070	957117030	HALF-THROTTLE LOCK, CPL.		1				
071	010175050	AIR VALVE CPL.		1				
072	957117020	THROTTLE MACHANISM, CPL.		1				
D10		INC. 73						
073	394117011	THROTTLE LINKAGE		1				
074	395114603	TANK CPL. BLUE		1				
D10		INC. 75,76,78-82						
075	170175010	AIR VALVE COMPLETE		1				
076	957117040	THROTTLE MECHANISM, CPL.		1				
D10		INC. 77						

Item	Parts No.	Description	I/C	Qty	N/O	Opt. 1	Opt. 2	Note
077	395117011	THROTTLE LINKAGE		1				
078	980115699	LABEL START		1				
080	965404913	FUEL LINE		1				
081	394114101	SQUARE NUT M5		4				
082	394114070	RUBBER FOOT		1				
083	170118031	CARBURETOR ADJUSTING GUIDE H/L		1				
085	394114051	POT		1	*			
085-1	395310020	POT		1				
086	965403535	RUBBER BUFFER		1				
087	394114281	AXLE		1				
088	908305405	H.L. SOCKET HEAD BOLT M5X40		1	*			
088-1	266943-8	H.L. SOCKET HEAD BOLT M5X40	O	1		73181500		
089	965403535	RUBBER BUFFER		1				
090	900005076	WASHER		1				
091	394114661	BRACKET		1	*			
D10		INC. 92			*			
091-1	395310600	BRACKET		1				
092	980115215	LABEL		1				
093	913455204	H.L.TAPPING SCREW 5.5X20		2	*			
093-1	266475-5	H.L.TAPPING SCREW 5.5X20	O	2		73181500		
094	394114281	AXLE		1				
095	965403535	RUBBER BUFFER		1				
096	900005078	WASHER		1				
097	913455454	H.L.TAPPING SCREW 5,5X45		1				
098	913455454	H.L.TAPPING SCREW 5,5X45		1				
099	394310101	TUBULAR HANDLE		1				
100	395250020	FOOT		1				
101	913455454	H.L.TAPPING SCREW 5,5X45		2				
102	394114272	FOOT WITH ROLLER SET		1				
D10		INC. 103-107						
103	394114251	FOOT		1				
104	394114240	BUSHING		2				
105	394114230	ROLLER		2				
106	908006356	H.L SOCKET HEAD BOLT M6X35		2				
107	908905165	H.L SOCKET HEAD BOLT M5X16		4				
108	395118122	COVER ASSY.		1				
D10		INC. 109,114,115						
109	395118010	FIXING		1				
114	980114999	LABEL		1				
115	395173081	PREFILTER		1				
116	394150030	CHOKE SHAFT		1				
117	024131032	INSERT FOR CARB. INSULATOR		1				
118	394131101	CARBURETOR INSULATOR		1				
119	965603050	CARBURETOR INSULATOR CLAMP		1				
120	395171025	TUBE(L=1M)		1				
121	957395001	CONTACT SPRING FOR ENGINE STO		1				
122	395171072	CONNECTING MUFF CPL.		1				
D10		INC. 123,124						

Item	Parts No.	Description	I/C	Qty	N/O	Opt. 1	Opt. 2	Note
123	395173030	FOAM INSERT		1				
124	395171022	TUBE(L=1M)		1				
125	957395001	CONTACT SPRING FOR ENGINE STO		1				
126	395171072	CONNECTING MUFF CPL.		1				
D10		INC. 127,130						
127	394131210	CARBURETOR INSULATOR SET		1				
D10		INC. 128,129						
128	394131200	CARBURETOR INSULATOR		1				
129	038131070	CARBURETOR INSULATOR CLAMP		1	*			
129-1	233625-7	SPRING CLAMP	O	1				
130	395171025	TUBE(L=1M)		1				
131	024131032	INSERT FOR CARB. INSULATOR		1				
132	395117011	THROTTLE LINKAGE		1				
133	394150042	CHOKE LINKAGE		1				
134	908204555	H.L. SOCKET HEAD BOLT M4X55		2	*			
134-1	266944-6	H.L. SOCKET HEAD BOLT M4X55	O	2		73181500		
135	970502050	INSULATION TUBE 4 L=1M		1				
136	965518120	GASKET		1				
137	965452382	OIL RESISTANT HOSE D=3MM L=1M		1				
138	965401016	SEMI-CYLINDRICAL GROMMET		1	*			
138-1	424696-7	RUBBER GROMMET	O	1				
139	908605505	H.L. SOCKET HEAD BOLT M5X50		4	*			
139-1	266941-2	H.L. SOCKET HEAD BOLT M5X50	O	4		73181500		
140	395118093	ENGINE HOOD CPL.		1				
D10		INC. 141-143						
141	395118021	PACKING RING		1				
142	980115870	LABEL		1				
143	395118050	RUBBER CAP FOR DECOMP VALVE		1				
146	395173011	AIR FILTER		1				
147	395173021	INNER FILTER		1				
148	395131041	COOLING HOOD		1				
149	909005155	H.L.SOKET HEAD BOLT M5X15		3	*			
149-1	266940-4	H.L. SOCKET HEAD BOLT M5X15	O	3		73181500		
150	908805235	H.L. SOCKET HEAD BOLT M5X23		4	*			
150-1	266473-9	H.L. SOCKET HEAD BOLT M5X23	O	4		73181500		
151	327130140	CYLINDER & PISTON SET		1				
D10		INC. 152						
152	325132035	PISTON,PISTON RING & PIN SET		1				
D10		INC. 153-155						
153	325132050	PISTON RING 47MM		1				
154	119132030	PISTON PIN		1	*			
154-1	257840-9	PISTON PIN	O	1				
155	119132060	CIRCLIP 12		2				
156	395118071	DECOMPRESSION VALVE		1				
157	395174110	HEAT INSULATION PLATE		1				
158	395174120	MUFFLER GASKET		1	*			
158-1	346876-4	MUFFLER GASKET	O	1		40169390		
159	038111060	SQUARE NUT M5		1	*			

Item	Parts No.	Description	I/C	Qty	N/O	Opt. 1	Opt. 2	Note
159-1	264108-6	SQUARE NUT M5	O	1		73181600		
160	928405000	SPRING WASHER 5		1	*			
160-1	267821-5	SPRING WASHER 5	O	1		73182100		
161	908005125	H.L. SOCKET HEAD BOLT M5X12		1	*			
161-1	266946-2	H.L. SOCKET HEAD BOLT M5X12	O	1		73181500		
162	908405205	H.L. SOCKET HEAD BOLT M5X20		2	*			
162-1	266960-8	H.L. SOCKET HEAD BOLT M5X20	O	2		73181500		
163	394174401	MUFFLER		1				
170	908005305	H.L. SOCKET HEAD BOLT M5X30		5	*			
170-1	266945-4	H.L. SOCKET HEAD BOLT M5X30	O	5		73181500		
171	965402870	RUBBER PLATE		1				
172	962900052	OIL SEAL		1	*			
172-1	213814-0	RADIAL RING	O	1		73182990		
173	326111731	CRANKCASE CPL. LEFT SIDE		1				
D10		INC. 174						
174	960102152	BALL BEARING 6202		1	*			
174-1	211154-0	BALL BEARING 6202	O	1		84821090		
175	936430160	PIN 3X16		2	*			
175-1	258038-1	CLAMPING PIN	O	2		73182990		
176	965531111	CRANKCASE GASKET		1				
177	965531160	CYLINDER GASKET		1	*			
177-1	346873-0	GASKET	O	1		40169340		
178	394120011	CRANKSHAFT CPL.		1				
179	962210121	NEEDLE CAGE		1	*			
179-1	212133-1	PISTON PIN BEARING 12X16X13	O	1				
180	326111740	CRANKCASE CPL. RIGHT SIDE		1				
D10		INC. 181						
181	960102152	BALL BEARING 6202		1	*			
181-1	211154-0	BALL BEARING 6202	O	1		84821090		
182	962900052	OIL SEAL		1	*			
182-1	213814-0	RADIAL RING	O	1		73182990		
183	930916160	SPRING RING		1	*			
183-1	234366-8	SNAP RING A 16	O	1		40169390		
184	394245010	STOP RING		1	*			
184-1	346872-2	STOP RING	O	1		40169320		
185	394182020	GUIDE DISC		1				
186	394223025	CLUTCH DRUM ASSY.		1				
D10		INC. 187						
187	962300017	NEEDLE BEARING		1				
188	001182042	DISC		1	*			
188-1	267389-1	FLAT WASHER 12	O	1		73182200		
189	010180024	CLUTCH ASSY.		1	*			
D10		INC. 190			*			
189-1	123305-2	CLUTCH, CPL	O	1				
190	024184021	TENSION SPRING		3	*			
190-1	232352-3	TENSION SPRING 6	O	3		73209090		
191	908605145	H.L. SOCKET HEAD BOLT M5X14		3	*			
191-1	266947-0	H.L. SOCKET HEAD BOLT M5X14	O	3				

Item	Parts No.	Description	I/C	Qty	N/O	Opt. 1	Opt. 2	Note
192	395213670	COVER		1				
193	965300470	V-BELT		1				
194	965605511	LEAD WIRE WITH GROMMET SET		1				
D10		INC. 198						
195	957395001	CONTACT SPRING FOR ENGINE STO		1				
196	965605510	LEAD WIRE WITH GROMMET SET		1				
D10		INC. 198						
197	394146013	CONTACT SPRING FOR ENGINE STO		1				
198	965401016	SEMI-CYLINDRICAL GROMMET		1	*			
198-1	424696-7	RUBBER GROMMET	O	1				
199	394143030	CDI IGNITION COIL ASSY		1				
D10		INC. 200						
200	970310200	IGNITION CABLE L=1M		1				
201	957604260	PLUG CAP COMPLETE		1				
202	168648-5	SPARK PLUG (BPMR7A)		1		85111000		
203	908605205	H.L. SOCKET HEAD BOLT M5X20		2	*			
203-1	266942-0	H.L. SOCKET HEAD BOLT M5X20	O	2		73181500		
204	920208024	HEX. NUT M8X1(FINE THREAD)		1	*			
204-1	264107-8	HEXAGONAL NUT M8	O	1		73181500		
205	926208001	SPRING WASHER 8		1	*			
205-1	267822-3	SPRING WASHER 8	O	1		73182200		
206	394141090	FLYWHEEL ASSY.		1				
D10		INC. 207						
207	031166010	STARTER RATCHET SET(2PCS EACH		1				
208	939630370	KEY		1				
209	928405000	SPRING WASHER 5		1	*			
209-1	267821-5	SPRING WASHER 5	O	1		73182100		
210	908605205	H.L. SOCKET HEAD BOLT M5X20		4	*			
210-1	266942-0	H.L. SOCKET HEAD BOLT M5X20	O	4		73181500		
211	394164020	STARTER ROPE BLACK 4MM X 1M		1				
211A_	122164010	STARTER ROPE 4MM L=1M		1				
212	929314100	ROUND S TYPE RETAINING RING 14		1				
213	980115760	MAKITA LOGO LABEL		1				
214	395160600	STARTER ASSY. BLUE		1				
D10		INC. 209-212,215-219						
215	181164010	STARTER GRIP		1				
216	395160630	HOUSING		1				
D10		INC. 210						
217	181163050	REWIND SPRING IN HOUSING		1	*			
217-1	140587-1	REWIND SPRING COMPLETE	O	1		73209090		
218	395162020	CABLE DRUM CPL.		1				
219	395118170	AIR GUIDE PLATE		1				
220	980115214	MAKITA LOGO LABEL		1				
221	394112642	STARTER ASSY. BLUE		1				
D10		INC. 209-212,222-228						
222	001161020	STARTER GRIP		1				
223	394112621	STARTER HOUSING BLUE		1				
D10		INC. 210						

Model No. DPC6430 POWER CUTTER

Item	Parts No.	Description	I/C	Qty	N/O	Opt. 1	Opt. 2	Note
224	394163020	REWIND SPRING IN HOUSING		1				
225	915135100	TAPPING SCREW 3.5X9.5		1	*			
225-1	266150-3	TAPPING SCREW BT 3.5X9.5	O	1				
226	394162040	STARTER ROPE DRUM		1				
227	394112141	AIR GUIDE PLATE		1				
228	915135100	TAPPING SCREW 3.5X9.5		2	*			
228-1	266150-3	TAPPING SCREW BT 3.5X9.5	O	2				
230	395151015	CARBURETOR WJ-126C		1				
D10		INC. 231-237,239-265						
231	394151470	IDLE ADJUSTMENT SCREW L		1				
232	021151480	SPRING		1				
233	001151450	MAIN ADJUSTMENT SCREW		1				
234	021151480	SPRING		1				
235	394151160	PUMP COVER COMPLETE		1				
236	144150170	SCREW		4				
237	957151180	SET DIAPHRAGM / GASKETS		1				
D10		INC. 238						
238	394151150	PUMP DIAPHRAGM		1				
239	021151180	SCREEN		1				
240	394151040	COVER DISC		1				
241	394151510	LOCKING BALL		1				
242	957151191	CONTROL PARTS		1				
243	395151120	DIAPHRAGM COVER		1				
244	378151220	SCREW		4				
245	395151130	THROTTLE SHAFT		1				
246	394151315	BUSHING		1				
247	395151150	TORSION SPRING		1				
248	394151315	BUSHING		1				
249	394151330	PACKING RING		1				
250	394151320	THROTTLE SHUTTER		1				
251	394151660	SCREW		1				
252	394151330	PACKING RING		1				
253	394151400	DISC		1				
254	108151350	SHAFT CLIP		1				
255	378151220	SCREW		1				
256	395151170	CHOKE SHAFT		1				
257	170151290	WASHER		1				
258	395151110	FAST IDLE LEVER		1				
259	395151190	TORSION SPRING		1				
260	395151265	CHOKE SHUTTER		1				
261	394151660	SCREW		1				
262	119151350	SHAFT CLIP		1				
263	395151180	CHOKE LEVER		1				
264	394151660	SCREW		1				
265	395151140	IDLE STOP SCREW		1				
266	395151050	CARBURETOR WJ-123		1				
D10		INC. 267-269,271-297						
267	394151160	PUMP COVER COMPLETE		1				

Item	Parts No.	Description	I/C	Qty	N/O	Opt. 1	Opt. 2	Note
268	144150170	SCREW		4				
269	957151180	SET DIAPHRAGM / GASKETS		1				
D10		INC. 270						
270	394151150	PUMP DIAPHRAGM		1				
271	021151180	SCREEN		1				
272	394151040	COVER DISC		1				
273	394151510	LOCKING BALL		1				
274	957151191	CONTROL PARTS		1				
275	395151120	DIAPHRAGM COVER		1				
276	378151220	SCREW		4				
277	394151300	THROTTLE SHAFT		1				
278	394151315	BUSHING		1				
279	394151310	SPRING		1				
280	394151315	BUSHING		1				
281	394151330	PACKING RING		1				
282	394151320	THROTTLE SHUTTER		1				
283	394151650	SCREW		1				
284	394151330	PACKING RING		1				
285	394151400	DISC		1				
286	108151350	SHAFT CLIP		1				
287	378151220	SCREW		1				
288	394151570	IDLE STOP SCREW(S)		1				
289	394151470	IDLE ADJUSTMENT SCREW L		1				
290	021151480	SPRING		1				
291	001151450	MAIN ADJUSTMENT SCREW		1				
292	021151480	SPRING		1				
293	395151260	CHOKE SHUTTER		1				
294	394151660	SCREW		1				
295	118151160	LOCKING SPRING		1				
296	118151170	LOCKING BALL		1				
297	394151250	CHOKE SHAFT		1				
A01	394228121	ADAPTER RING 20MM > 25.4MM		1				
A02	966121150	ABRASIVE CUT-OFF WHEEL STEEL		1				
A02A_	966121120	ABRASIVE CUT-OFF WHEEL STONE		1				
A04	957004006	TOOLS CPL.		1				
D10		INC. A02-A05						
A05	950004002	PLASTIC BAG		1	*			
A05-1	831340-3	TOOL BAG	O	1		42022990		
A06	941719140	UNIVERSAL WRENCH 13/19		1	*			
A06-1	782028-7	UNIVERSAL WRENCH 13-19	O	1				
A07	940827000	HEXALOBULAR ANGLED DRIVER T27		1	*			
A07-1	782025-3	TORX WRENCH	O	1		82041120		
A08	944340001	SCREW DRIVER		1	*			
A08-1	783012-5	SCREWDRIVER	O	1		82045000		
A30	957802600	PRESSURISED WATER TANK		1				
D10		INC. A31,A32,A34						
A31	957963200	GASKET SET		1				
A32	394365180	CONNECTING REDUCER		1				

