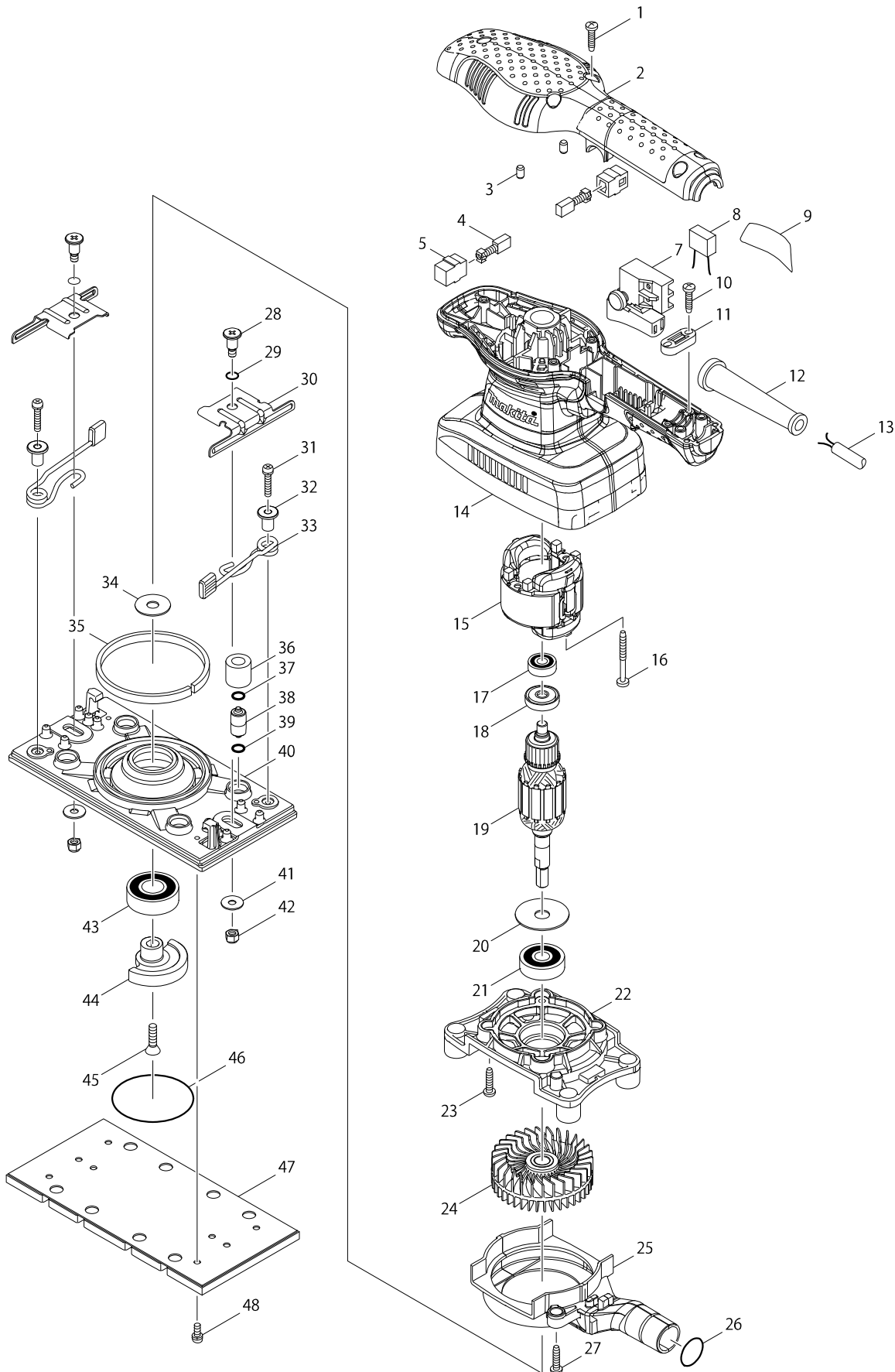


Model No. BO3710 FINISHING SANDER



Model No. BO3710 FINISHING SANDER

Item	Parts No.	Description	I/C	QTY	N/O	Opt. 1	Opt. 2	NOTE
001	265995-6	TAPPING SCREW 4X18		5		73181500		
002	451268-5	TOP COVER		1		84679900		
003	263002-9	RUBBER PIN 4		2		40169390		
004	191627-8	CARBON BRUSH CB-64		1		85452000		
005	643552-4	BRUSH HOLDER 5-8		2		82078000		
007	651286-5	SWITCH SGEL206C-5		1		85366990		
009	866995-5	BO3710 NAME PLATE		1				
010	265995-6	TAPPING SCREW 4X18		2		73181500		
011	687123-7	STRAIN RELIEF		1		84679900		
012	682569-2	CORD GUARD 8-85		1		73182990		
013	666053-5	POWER SUPPLY CORD 1.0-2-2.0		1		85442090		
014	451270-8	MOTOR HOUSING		1		84679900		
015	593703-8	FIELD ASSEMBLY 220-240V		1		85030090		
C10	654037-5	INSULATED TERM. FT1.25-M3		2	*	73182990		
C11	654037-5	INSULATED TERM. FT1.25-M3	O	2		73182990		
016	266048-4	TAPPING SCREW 4X40		2		73181500		
017	210062-2	BALL BEARING 607ZZ		1		84821090		
018	681652-2	INSULATION WASHER		1		73182200		
019	515784-2	ARMATURE ASSEMBLY 240V		1		85030090		
D10		INC. 17,18,20,21						
020	253180-3	FLAT WASHER 10		1		84679900		
021	211087-9	BALL BEARING 6200DDW		1		84821090		
022	451266-9	BEARING BOX		1		84833000		
023	265995-6	TAPPING SCREW 4X18		4		73181500		
024	240117-9	FAN 68		1		84145190		
025	451267-7	FAN GUIDE		1		84679900		
026	213315-8	O RING 19		1		40169320		
027	265995-6	TAPPING SCREW 4X18		2		73181500		
028	266511-7	+ FLAT FILLISTER HEAD SCREW M5		2		73181500		
029	213045-1	O-RING 6		2		40169320		
030	346102-1	PAPER CLAMP		2		73182990		
031	911136-9	PAN HEAD SCREW M4X20		2		73181500		
032	310300-3	SPRING GUIDE		2		84679900		
033	162279-2	LEVER COMPLETE		2		84679900		
034	267353-2	FLAT WASHER 8		1		73182200		
035	423389-3	SPONGE 6X230X3		1	*	40169390		
035-1	423469-5	SPONGE 7X105X3	O	1	*	40169390		
035-2	423469-5	SPONGE 7X105X3	O	1		40169390		
036	424056-3	SPONGE SLEEVE 9		4		40169390		
037	213983-7	O RING 4		4		40169320		
038	318151-8	FOOT		4		84679900		
039	213983-7	O RING 4		4		40169320		
040	318484-1	BASE		1	*	84679900		
040-1	318484-1	BASE	X	1		84679900		
041	253807-5	FLAT WASHER 5		2		84679900		
042	252103-8	HEX. LOCK NUT M5-8		2		73181500		
043	211228-7	BALL BEARING 6202DDW		1		84821090		
044	310301-1	BALANCER		1		84679900		

