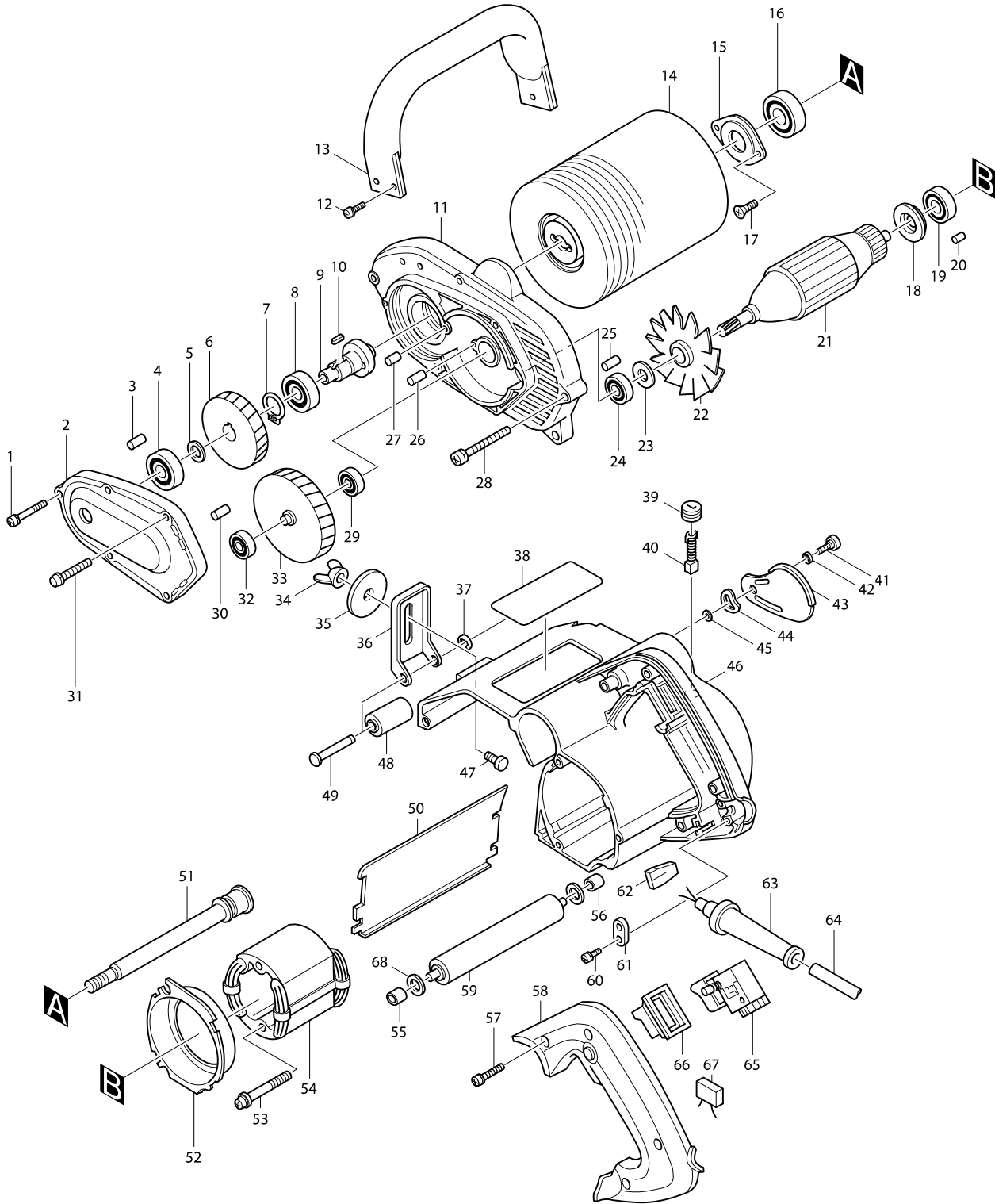


Model No. 9741 WHEEL SANDER



Model No. 9741 WHEEL SANDER

Item	Parts No.	Description	I/C	QTY	N/O	Opt. 1	Opt. 2	NOTE
001-1	911248-8	PAN HEAD SCREW M5X28		3				
002	157777-9	GEAR HOUSING COVER		1				
D10		INC. 3,30						
003	263002-9	RUBBER PIN 4		1		40169390		
004	211101-1	BALL BEARING 6001LLB		1		84821090		
005	253744-3	FLAT WASHER 12		1		84679900		
006	221756-4	HELICAL GEAR 53		1				
007	961055-9	RETAINING RING S-15		1		73182990		
008-1	211236-8	BALL BEARING 6002DDW		1		84821090		
009	163269-8	SPINDLE		1				
010	254219-5	KEY 4		1				
011	157776-1	GEAR HOUSING		1				
D10		INC. 25-27,55						
012-1	911218-7	PAN HEAD SCREW M5X14		3		73181500		
013	273623-9	GRIP		1				
015	285661-9	BEARING RETAINER		1				
016	211275-8	BALL BEARING 6003DDW		1		84821090		
017	912122-3	COUNTERSUNK HEAD SCREW M4X14		2				
018	681625-5	INSULATION WASHER		1		73182200		
019	211031-6	BALL BEARING 608LLB		1		84821090		
020	263014-2	RUBBER PIN 4		1		40169390		
021	512929-3	ARMATURE ASS'Y 240V		1				
D10		INC. 18,19,22,23,24						
022	241113-0	FAN 68		1				
023-1	253024-7	FLAT WASHER 10		1		84679900		
024-1	211088-7	BALL BEARING 6000DDW		1		84821090		
025	263002-9	RUBBER PIN 4		1		40169390		
026	263002-9	RUBBER PIN 4		1		40169390		
027	263005-3	RUBBER PIN 6		1		40169390		
028-1	911258-5	PAN HEAD SCREW M5X35		3		73181500		
029	211019-6	BALL BEARING 626		1				
030	263002-9	RUBBER PIN 4		1		40169390		
031-1	911278-9	PAN HEAD SCREW M5X55		2				
032	211019-6	BALL BEARING 626		1				
033	153168-2	GEAR COMPLETE 64		1				
034	934301-3	WING NUT M6		1		73181500		
035	253196-8	FLAT WASHER 6		1				
036	343434-7	DEPTH GUIDE		1				
037	961018-5	STOP RING E-5		1		73182990		
038	855929-3	NAME PLATE 9741		1				
039	643600-9	BRUSH HOLDER CAP 6-10		2		82078000		
040C_	181030-1	CARBON BRUSH CB-100		1		85452000		
041	251323-1	+ PAN HEAD SCREW M4		1				
042	253308-3	THIN WASHER 6		1		84679900		
043	343436-3	COVER PLATE		1				
044	253980-1	WAVE WASHER 14		1				
045	253874-0	FLAT WASHER 4		1		84679900		
046	157798-1	HOUSING		1				

