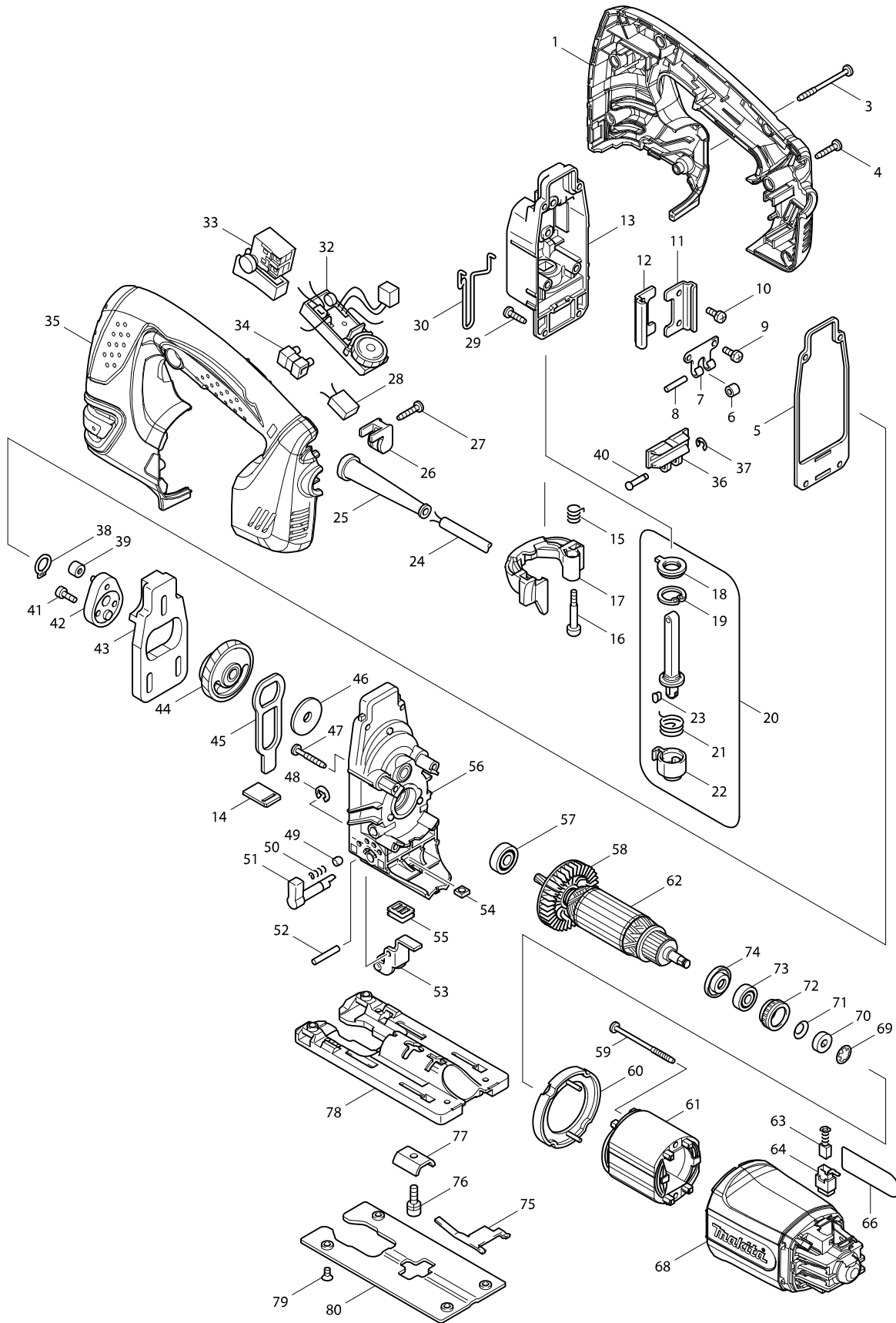


# Model No. 4350CT JIG SAW



Item	Parts No.	Description	I/C	QTY	N/O	Opt. 1	Opt. 2	NOTE
001	188286-7	HANDLE SET		1		84679900		
D10		INC. 35						
002	265995-6	TAPPING SCREW 4X18		1		73181500		
003	266091-3	TAPPING SCREW 4X50		1		73181500		
004	265995-6	TAPPING SCREW 4X18		5		73181500		
005	442138-9	PACKING		1		48195090		
006	214031-5	PLANE BEARING 4		1		84821090		
007	232207-2	LEAF SPRING		1		73209090		
008	256117-9	PIN 4		1		73182990		
009	911111-5	PAN HEAD SCREW M4X10 WITH W		2		73181500		
010	911111-5	PAN HEAD SCREW M4X10 WITH W		2		73181500		
011	345240-6	LINEAR GUIDE		1		84679900		
012	345240-6	LINEAR GUIDE		1		84679900		
013	153338-3	GEAR HOUSING COVER COMPLETE		1		84679900		
C10	253313-0	THIN WASHER 14		1		84679900		
C20	257250-0	RING 20		1		73182990		
C30	421815-6	DUST SEAL 8		1		40169390		
014	417839-8	SEAL PLATE		1		73182990		
015	231659-4	TORSION SPRING 6		1		73209090		
016	265026-1	+ PAN HEAD SCREW M4		1		73181500		
017	419820-5	TOOL OPENER		1		82079090		
018	421817-2	DUST COVER		1		84679900		
019	962068-3	RETAINING RING R-18		1		73182990		
020	135060-4	ROD ASSY		1		73182990		
C10	165326-8	ROD		1		73182990		
D10		INC. 18,19,21-23						
021	231660-9	TORSION SPRING 15		1		73209090		
022	310136-0	BLADE HOLDER		1		82078000		
023	310135-2	PUSH PIN		1		73182990		
024	666066-6	POWER SUPPLY CORD 1.0-2-2.5		1		85442090		
025	682559-5	CORD GUARD 8		1		73182990		
026	687260-7	STRAIN RELIEF		1		73182990		
027	265995-6	TAPPING SCREW 4X18		1		73181500		
029	266034-5	TAPPING SCREW CT 4X16		4		73181500		
030	324233-6	SAFETY WIRE		1		84679900		
032	631768-3	CONTROLLER		1		84679900		
033	650202-4	SWITCH SGEL115CDY-8		1		85366990		
035	188286-7	HANDLE SET		1		84679900		
D10		INC. 1						
036	310134-4	SLIDER		1		84679900		
037	961017-7	STOP RING E-3		1		73182990		
038	961004-6	RETAINING RING S-8		1		73182990		
039	212014-9	NEEDLE BEARING 407		1	*	84821090		
039-1	212092-9	NEEDLE BEARING 407	O	1				
040	268090-1	PIN 4		1		73182990		
041	265353-6	HEX. SOCKET HEAD BOLT M4X12		2		73181500		
042	153336-7	CRANK COMPLETE		1		84679900		
043	313108-4	BALANCE PLATE		1		84679900		

Item	Parts No.	Description	I/C	QTY	N/O	Opt. 1	Opt. 2	NOTE
044	153335-9	GEAR COMPLETE		1		84679900		
C10	212043-2	NEEDLE BEARING 810		2		84821090		
045	345235-9	PUSH PLATE		1		73182990		
046	253877-4	FLAT WASHER 8		1		84679900		
047	266050-7	TAPPING SCREW 4X30		4		73181500		
048	961018-5	STOP RING E-5		1		73182990		
049	286032-3	CAP 5		1		40169390		
050	233139-6	COMPRESSION SPRING 3		1		73209090		
051	272244-4	LEVER 17		1	*	39269099		
051-1	272280-0	LEVER 17	<	1				
052	268063-4	PIN 4		1		73182990		
053	153334-1	RETAINER COMPLETE		1		84679900		
054	252171-1	SQUARE NUT M5-8		1		73181500		
055	421816-4	DUST SEAL		1		40169390		
056	153337-5	GEAR HOUSING COMPLETE		1		84679900		
057	210005-4	BALL BEARING 608DDW		1		84821090		
058	241881-5	FAN 52		1		84145190		
059	266052-3	TAPPING SCREW 4X60		2		73181500		
060	417838-0	BAFFLE PLATE		1		73182990		
061	593508-6	FIELD ASS'Y 220-240V		1		85030090		
C10	654069-2	RECEPTACLE		2		84679900		
062	517398-3	ARMATURE ASS'Y 220-240V		1		85030090		
D10		INC. 57,58,73,74						
063	191962-4	CARBON BRUSH CB-419		1		85452000		
064	643936-6	BRUSH HOLDER		2		82078000		
066	863664-9	4350CT NAME PLATE		1				
068	419886-5	MOTOR HOUSING		1		84679900		
069	259039-2	SELF LOCK 6		1		73182990		
070	688117-5	MAGNET SLEEVE		1		73182990		
071	267756-0	WAVE WASHER 6		1		73182200		
072	421494-0	RUBBER RING 19		1		40169390		
073	211021-9	BALL BEARING 607LLB		1		84821090		
074	681636-0	INSULATION WASHER		1		73182200		
075	232208-0	LEAF SPRING		1		73209090		
076	922226-3	HEX. SOCKET HEAD BOLT M5X18		1		73181500		
077	345237-5	CRANK PLATE		1		73182990		
078	317565-8	BASE		1		84679900		
079	912107-9	COUNTERSUNK HEAD SCREW M4X8		4		73181500		
080	345238-3	BASE PLATE		1		73182990		
A01	415524-7	ANTI-SPLINTERING DEVICE		1		84679900		
A02	417852-6	COVER PLATE		1		84679900		
A03-1	A-85737	JIGSAW BLADE NO.B22		1		82029990		
A04-1	A-85628	JIGSAW BLADE NO.B10		1		82029990		
A05-1	A-85793	JIGSAW BLADE NO.BR13		1		82029990		
A06	783202-0	HEX. WRENCH 4		1		82041120		
A07	824809-4	PLASTIC CARRYING CASE		1				