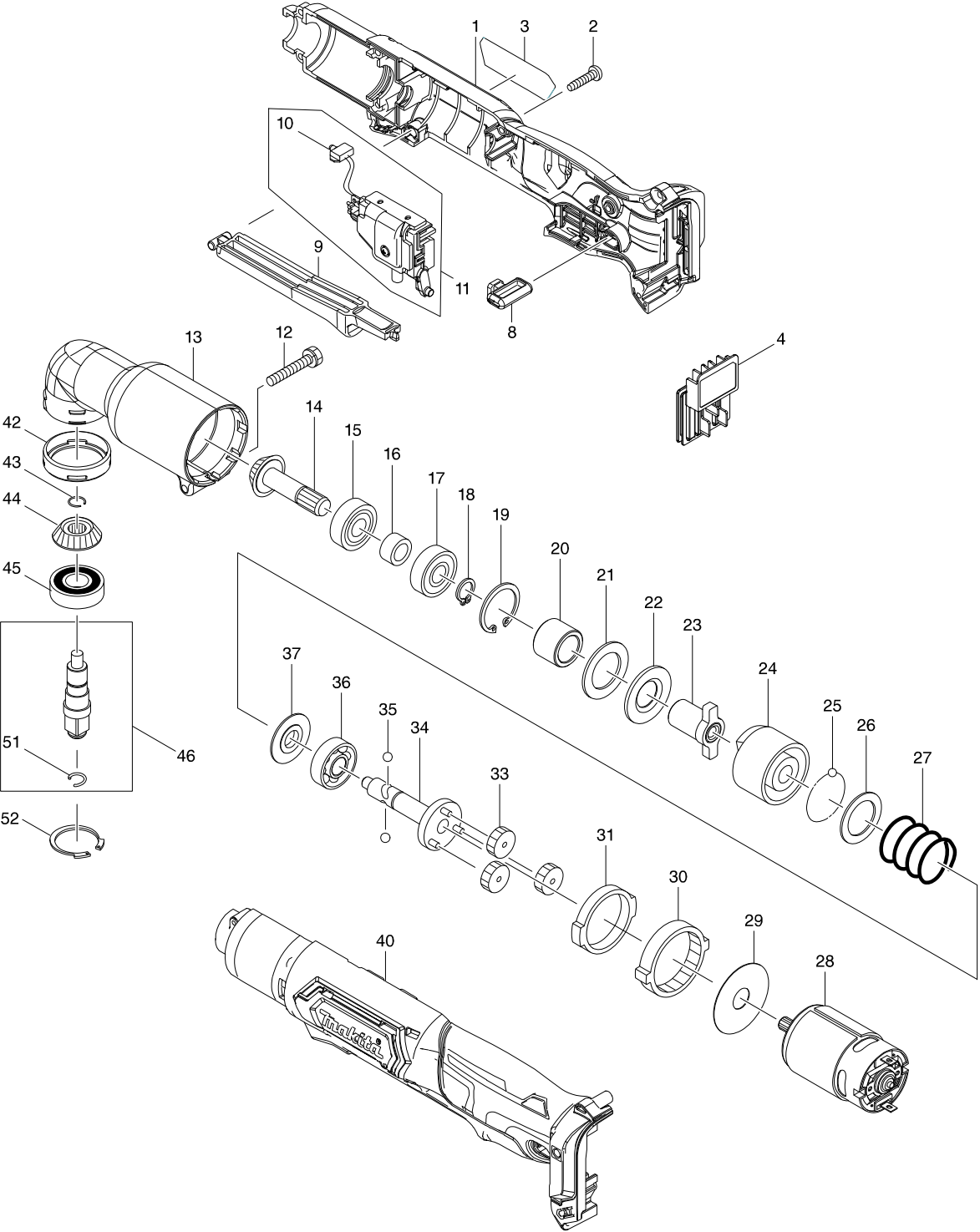


Model No. TL065D CORDLESS ANGLE IMPACT WRENCH



Model No. TL065D CORDLESS ANGLE IMPACT WRENCH

Item	Parts No.	Description	I/C	QTY	N/O	Opt. 1	Opt. 2	NOTE
001	183G43-0	HOUSING SET		1		84679900		
C10	252126-6	HEX. LOCKING NUT M4-7		2		73181500		
D10		INC. 40						
002	266130-9	TAPPING SCREW BIND PT 3X16		8		73181500		
003	853H04-7	TL065D NAME PLATE		1				
004	644813-5	TERMINAL		1		73182990		
008	450126-2	FR CHANGE LEVER		1		73182990		
009	450125-4	SWITCH LEVER		1		39269099		
010	620690-9	LED CIRCUIT		1				
011	632K58-3	SWITCH UNIT		1		85366990		
D10		INC. 10						
012	265409-5	+ HEX. BOLT M5X30		1		73181500		
013	152461-1	ANGLE HEAD COMPLETE		1		84679900		
014	226720-0	ZEROL BEVEL GEAR 13		1		84679900		
015	210067-2	BALL BEARING 6000ZZ		1		84821090		
016	257428-5	SLEEVE 10		1				
017	210067-2	BALL BEARING 6000ZZ		1		84821090		
018	961006-2	RETAINING RING S-10		1		73182990		
019	962105-3	RETAINING RING R-26		1		73182990		
020	257429-3	SLEEVE 15		1				
021	261095-0	RUBBER WASHER 21		1		73182990		
022	267120-5	FLAT WASHER 15		1		73182200		
023	322689-7	ANVIL		1	*	82079090		
023-1	327000-8	ANVIL	O	1				
024	322688-9	HAMMER		1	*	82052000		
024-1	326999-4	HAMMER	O	1				
025	216001-0	STEEL BALL 3.5		22		73182990		
026	267121-3	FLAT WASHER 20		1		73182200		
027	233107-9	COMPRESSION SPRING 22		1		73209090		
028	629271-6	DC MOTOR		1		85011019		
029	267053-4	FLAT WASHER 12		1		73182200		
030	226280-2	INTERNAL GEAR 69		1		84834000		
031	257187-1	RING 32		1		73182990		
033	226279-7	SPUR GEAR 29		3		84834000		
034	154416-2	SPINDLE COMPLETE		1	*	84679900		
034-1	140K00-5	SPINDLE COMPLETE	O	1				
035	216002-8	STEEL BALL 4.8		2		73182990		
036	211472-6	BALL BEARING 6000		1				
037	322719-4	WASHER 10		1		73182200		
040	183G43-0	HOUSING SET		1		84679900		
C10	252126-6	HEX. LOCKING NUT M4-7		2		73181500		
D10		INC. 1						
042	424044-0	RUBBER RING 32		1		40169390		
043	231990-8	RING SPRING 9		1		73209090		
044	226721-8	ZEROL BEVEL GEAR 13		1		84679900		
045	211131-2	BALL BEARING 6001DDW		1		84821090		
046	135899-5	SPINDLE ASS'Y		1		84679900		
D10		INC. 51						

