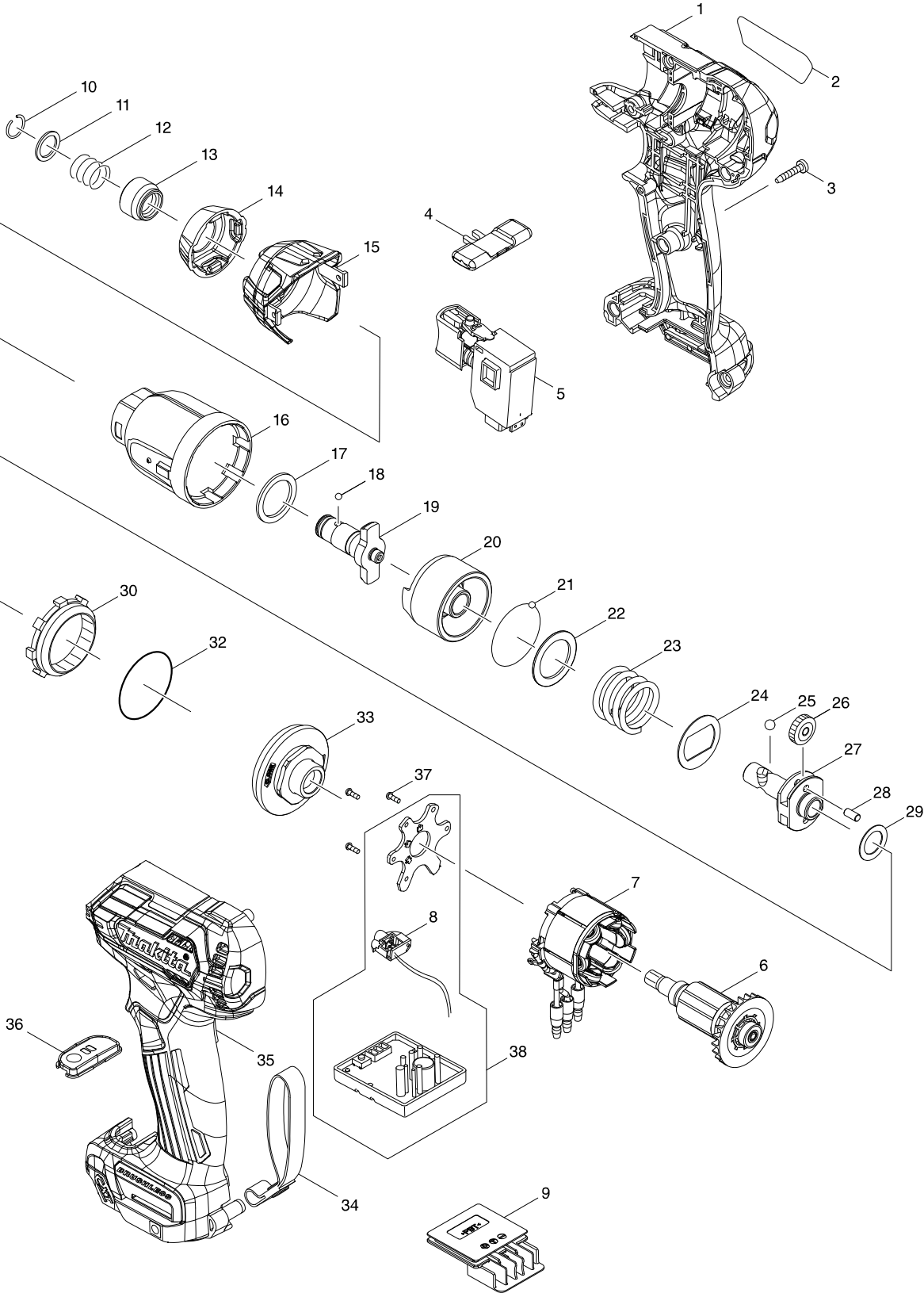


Model No. TD111D CORDLESS IMPACT DRIVER



Model No. TD111D CORDLESS IMPACT DRIVER

Item	Parts No.	Description	I/C	QTY	N/O	Opt. 1	Opt. 2	NOTE
001	183E65-8	HOUSING SET		1		84679900		
C10	252126-6	HEX. LOCKING NUT M4-7		2		73181500		
D10		INC. 35						
002	852P37-7	TD111D NAME PLATE		1	*			
002-1	852P36-9	TD111D NAME PLATE	<	1				
003	266429-2	TAPPING SCREW 3X16		9		73181500		
004	455053-8	F/R CHANGE LEVER		1		73182990		
005	650689-0	SWITCH C3JW-2B		1		85366990		
006	619415-6	ROTOR		1		85030090		
007	629232-6	STATOR		1		84679900		
008	620553-9	LED CIRCUIT		1		94059900		
009	644813-5	TERMINAL		1		73182990		
010	231965-7	RING SPRING 10		1		73209090		
011	267143-3	FLAT WASHER 11		1		73182200		
012	233005-7	COMPRESSION SPRING 13		1		73209090		
013	326803-7	BIT SLEEVE		1		82075000		
014	424907-0	BUMPER		1		84679900		
015	457062-3	HAMMER CASE COVER		1		73182990		
016	144058-0	HAMMER CASE COMPLETE		1		84679900		
017	261159-0	NYLON WASHER 19		1		73182200		
018	216019-1	STEEL BALL 3		2		73182990		
019	326630-2	ANVIL M		1		82079090		
020	324894-2	HAMMER		1		82052000		
021	216019-1	STEEL BALL 3		24		73182990		
022	267380-9	FLAT WASHER 20		1		73182200		
023	232326-4	COMPRESSION SPRING 21		1				
024	267813-4	WASHER 21		1		73182200		
025	216002-8	STEEL BALL 4.8		2		73182990		
026	221437-0	SPUR GEAR 17		2				
027	324897-6	SPINDLE		1		84679900		
028	268217-3	PIN 3.5		2		73182990		
029	253052-2	FLAT WASHER 12		1		84679900		
030	227316-0	INTERNAL GEAR 43		1		84679900		
032	213479-8	O RING 33		1		40169320		
033	141893-7	BEARING BOX COMPLETE		1		84679900		
035	183E65-8	HOUSING SET		1		84679900		
C10	252126-6	HEX. LOCKING NUT M4-7		2		73181500		
D10		INC. 1						
036	144060-3	SWITCH PLATE COMPLETE		1		39269099		
037	266490-9	TAPPING SCREW PT 2X6		3		73181500		
038	620552-1	CONTROLLER		1		84679900		
D10		INC. 8						
A01	266622-8	+ TRUSS HEAD SCREW M4X12		1		73181500		
A02	346909-5	HOOK		1		73269099		
A03	784244-7	+ BIT 2-50		1		82075000		
A04B	456128-6	BATTERY COVER		1				
A04C	456128-6	BATTERY COVER		1				
A04D	456128-6	BATTERY COVER		1				

