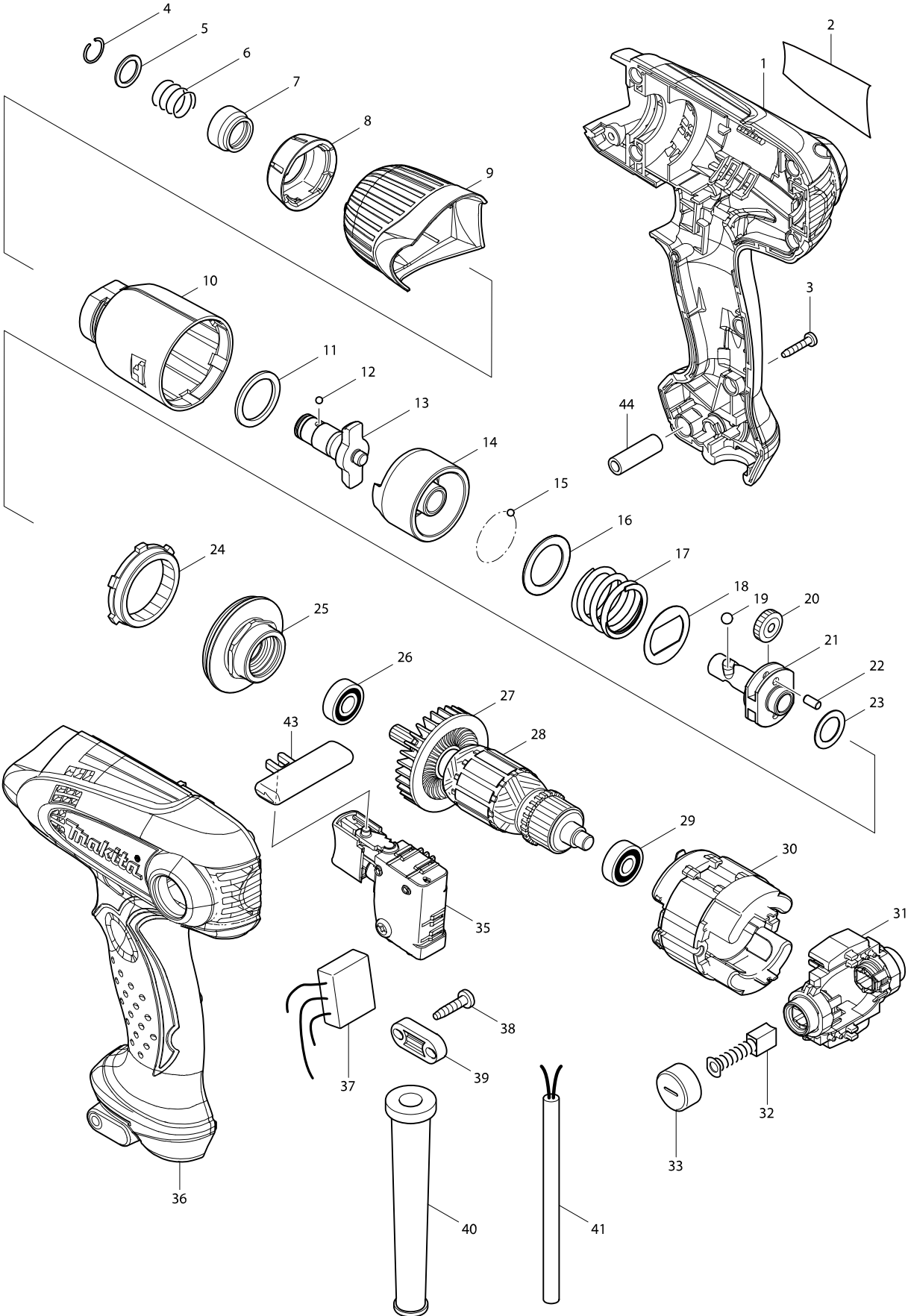


Model No. TD0101 IMPACT DRIVER



Model No. TD0101 IMPACT DRIVER

Item	Parts No.	Description	I/C	QTY	N/O	Opt. 1	Opt. 2	NOTE
001	188662-5	HOUSING SET		1		84679900		
C10	263002-9	RUBBER PIN 4		4		40169390		
D10		INC. 36						
002	866402-8	TD0101 NAME PLATE		1		83100090		
003	266429-2	TAPPING SCREW 3X16		8		73181500		
004	231965-7	RING SPRING 10		1		73209090		
005	267143-3	FLAT WASHER 11		1		73182200		
006	233005-7	COMPRESSION SPRING 13		1		73209090		
007	324711-6	BIT SLEEVE		1		82079090		
008	424184-4	BUMPER		1	*	84679900		
008-1	424376-5	BUMPER	S	1		84679900		
009	450976-5	HAMMER CASE COVER		1	*	73182990		
009-1	452440-2	HAMMER CASE COVER	S	1		73182990		
010	158898-0	HAMMER CASE COMPLETE		1		84679900		
C10	213166-9	O RING 12.5		1		40169320		
C20	253798-0	FLAT WASHER 13		1		84679900		
C30	257776-2	SLEEVE 12		1		73182990		
011	261140-1	NYLON WASHER 20		1		73182990		
012	216019-1	STEEL BALL 3		2		73182990		
013	325618-9	ANVIL N		1	*	82079090		
013-1	326629-7	ANVIL N	O	1		82079090		
014	324894-2	HAMMER		1		82052000		
015	216019-1	STEEL BALL 3		24		73182990		
016	267380-9	FLAT WASHER 20		1		73182200		
017	234096-1	COMPRESSION SPRING 21		1		73209090		
018	267813-4	WASHER 21		1		73182200		
019	216002-8	STEEL BALL 4.8		2		73182990		
020	227213-0	SPUR GEAR 17		2		84679900		
021	324897-6	SPINDLE		1		84679900		
022	268217-3	PIN 3.5		2		73182990		
023	253052-2	FLAT WASHER 12		1		84679900		
024	227215-6	INTERNAL GEAR 43		1		84679900		
025	158899-8	BEARING BOX COMPLETE		1		84833000		
C10	210112-3	BALL BEARING 6801LLB		1		84821090		
C20	213325-5	O RING 19		1		40169320		
026	210013-5	BALL BEARING 698VV		1		84821090		
027	240046-6	FAN 46		1		84145190		
028	517654-1	ARMATURE ASSY 240V		1		85030090		
D10		INC. 26,27,29						
029	210062-2	BALL BEARING 607ZZ		1		84821090		
030	635109-5	FIELD 240V		1		85030090		
031	638643-4	HOLDER ARM COMPLETE		1		84679900		
C10	643981-1	BRUSH HOLDER 6X9		2		82078000		
032	191940-4	CARBON BRUSH CB-411		1		85452000		
033	643928-5	BRUSH HOLDER CAP		2		82078000		
035	650613-3	SWITCH C3TA		1		85366990		
036	188662-5	HOUSING SET		1		84679900		
C10	263002-9	RUBBER PIN 4		4		40169390		

