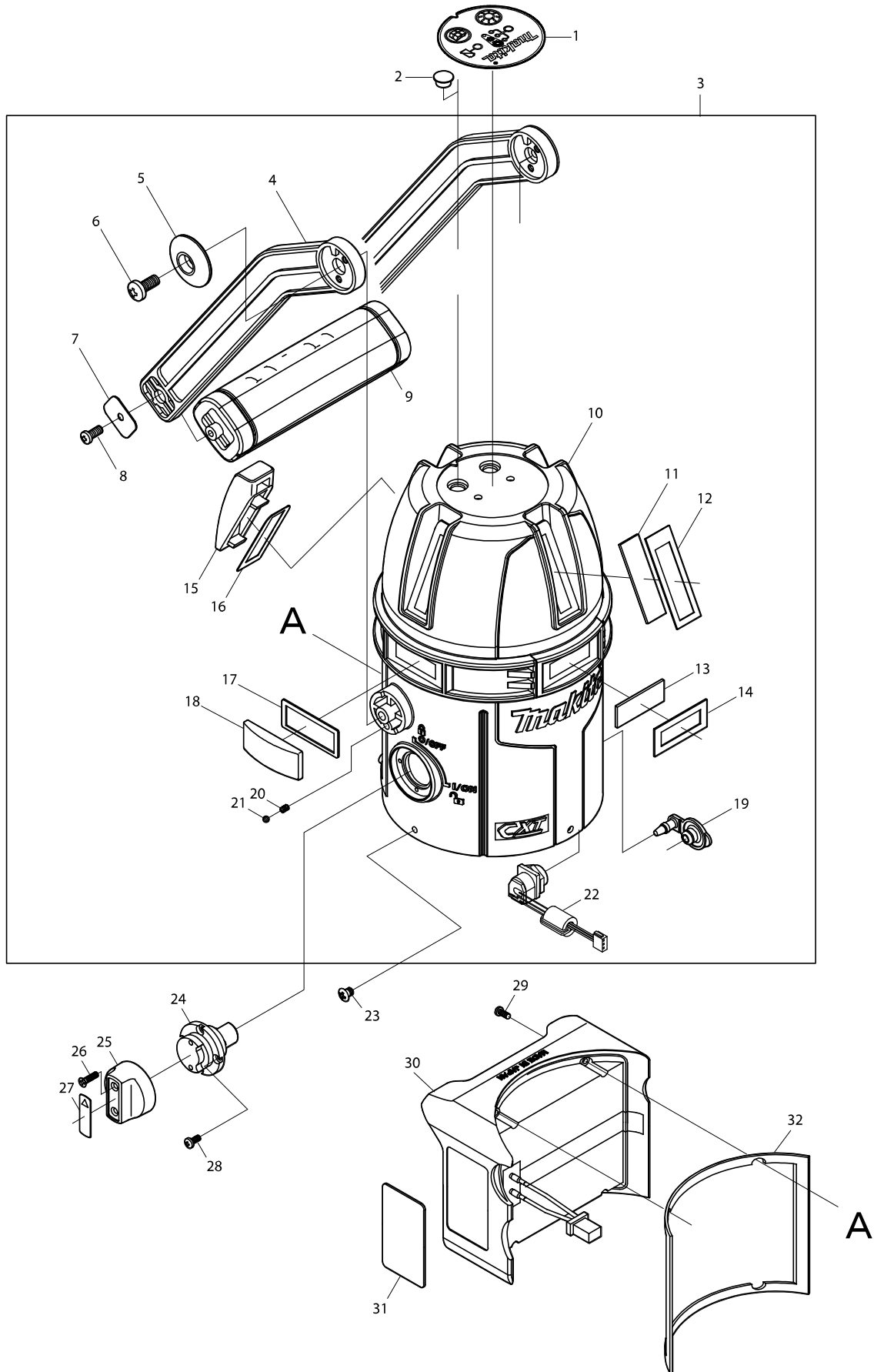
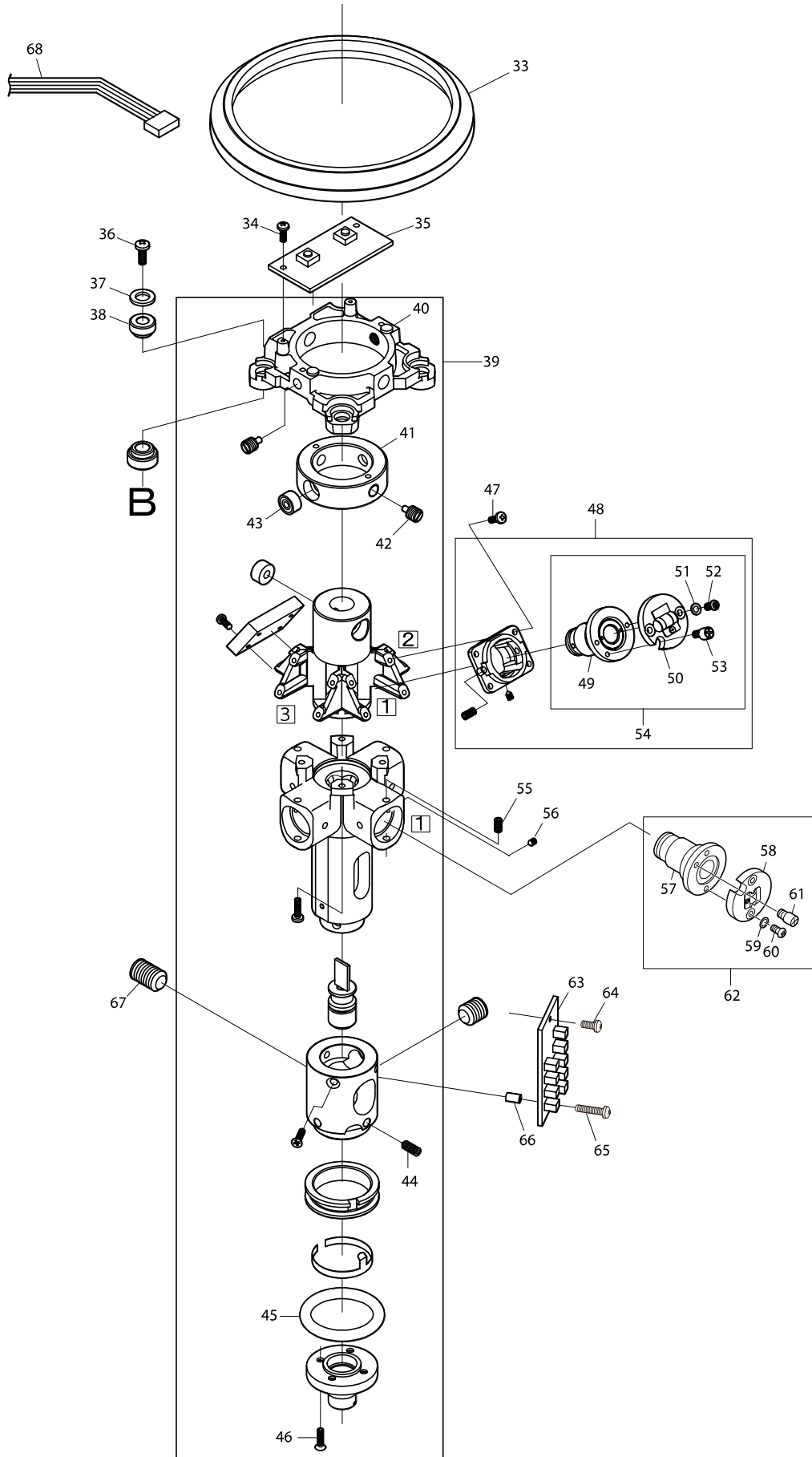


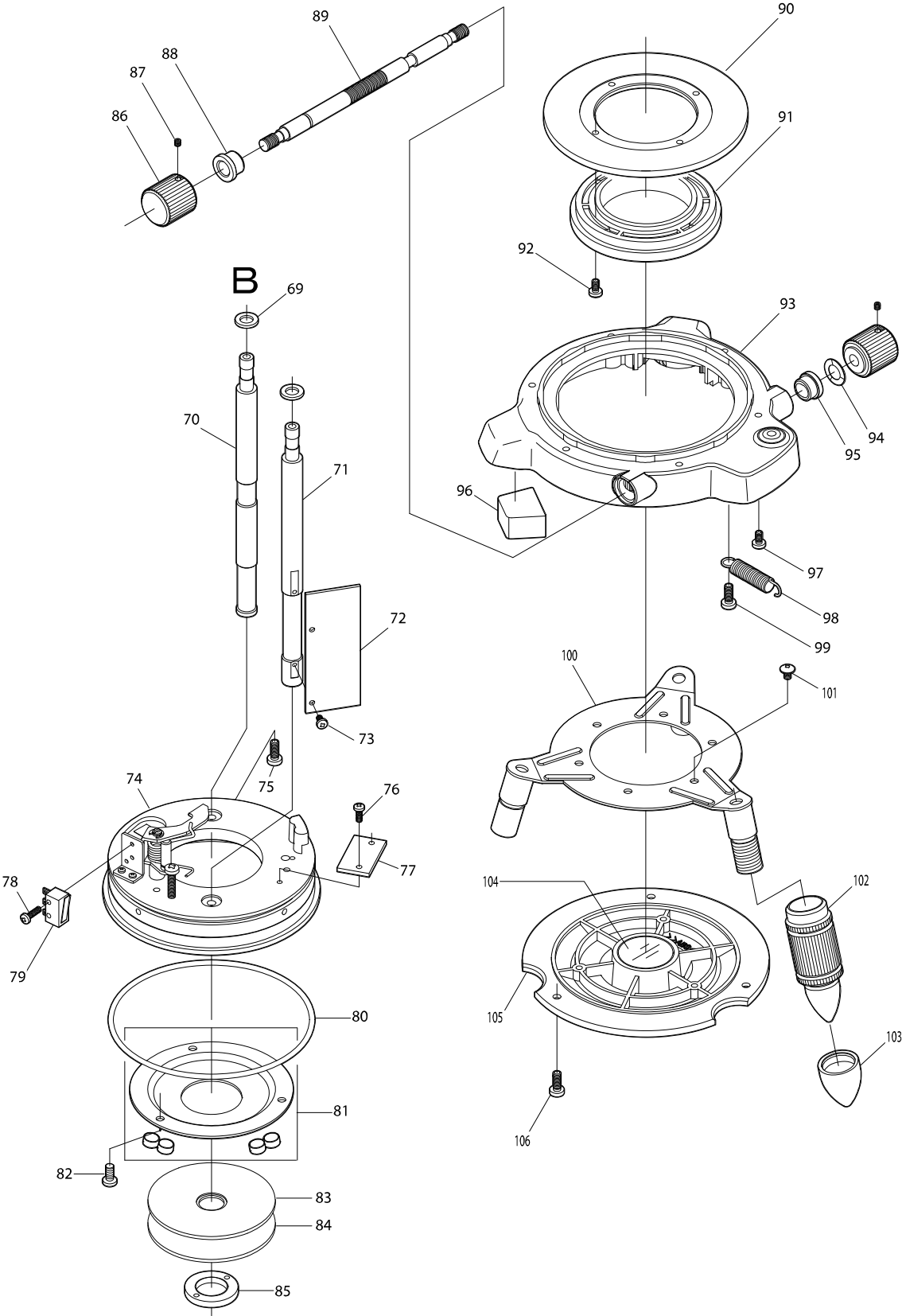
# Model No. SK312GD GREEN MULTI LINE LASER



# Model No. SK312GD GREEN MULTI LINE LASER



Model No. SK312GD GREEN MULTI LINE LASER



# Model No. SK312GD GREEN MULTI LINE LASER

Item	Parts No.	Description	I/C	QTY	N/O	Opt. 1	Opt. 2	NOTE
001	TK219UN101	SWITCH LABEL		1		39199090		
002	TK16010441	SWITCH BUTTON(4.1)		2		40169390		
002A_	TK16010443	SWITCH BUTTON(4.3)		2		40169390		
002B_	TK16010444	SWITCH BUTTON(4.4)		2		40169390		
003	TK219EUA01	HOUSING ASSEMBLY		1	*	84679900		
D10		INC. 4-22			*			
003-1	TK219EUA01	HOUSING ASSEMBLY	<	1	*	84679900		
D10		INC. 4-22,107,108			*			
003-2	TK2191EU01	HOUSING COMPLETE	<	1		84679900		
D10		INC. 4-10,13,14,17-22						
004	TK02181041	HANDLE		2		84679900		
005	TK02181261	HANDLE RETAINER		2		84679900		
006	TKP4010FUS	+PANHEADSCREWM4X10(WITHRUBB		2		73181500		
007	TK02180127	GRIP RETAINER		2		73182990		
008	TKTT3010FB	+TRUSS HD. TAPPING SCREW 3X10		2		73181500		
009	TK02181051	GRIP		1		40169390		
010	TK219102EU	HOUSING COMPLETE		1	*	84679900		
010-1	TK2191EU01	HOUSING COMPLETE	<	1	*	84679900		
D10		INC. 11,12,15,16			*			
010-2	TK219102EA	HOUSING COMPLETE	<	1				
D10		INC. 11-18						
011	TK00210106	GLASS V		3	*	70200090		
011-1	TK00210106	GLASS V	<	2		70200090		
012	TK02180128	GLASS V RETAINER LABEL		3	*	70200090		
012-1	TK02180128	GLASS V RETAINER LABEL	<	2		70200090		
013	TK02101071	GLASS H		1		70200090		
014	TK02180129	GLASS H RETAINER LABEL		1		39199090		
015	TK02190125	COVER V		1		73182990		
016	TK02190128	DOUBLE SIDES LABEL V		1		39199090		
017	TK02190126	COVER H		3	*	73182990		
017-1	TK02190129	DOUBLE SIDES LABEL H	X	3		39199090		
018	TK02190129	DOUBLE SIDES LABEL H		3	*	39199090		
018-1	TK02190126	COVER H	X	3		73182990		
019	TKAL411252	DC JUCK COVER		1		84679900		
020	TK02181302	COMPRESSION SPRING E		2		73209090		
021	TK00SB3000	STELL BALL 3		2		73182990		
022	TK219UN131	DC JUCK UN		1		84679900		
023	TK0P2550FB	+ PAN HEAD SCREW M2.5X5		4		73181500		
024	TK0195SA01	LOCK CAM COMPLETE		1	*	84679900		
024-1	TK195SA011	LOCK CAM COMPLETE	O	1				
025	TK01701192	LOCK LEVER		1		73182990		
026	TK03F2080N	COUTERSUNK HD. SCREW M2X8		2		73181500		
027	TK01700104	LOCK SEAL		1		40169390		
028	TKTP2040FU	+PAN HEAD SCREW 2X4		4		73181500		
029	TKTP2080FB	+PAN HEAD TAPPING SCREW 2X8		4		73181500		
030	TK02180008	BATTERY HOLDER COMPLETE		1		82078000		
031	TK219UN113	NAME PLATE 219UN		1		83100090		
032	TK02181242	BATTERY HOLDER GASKET		1		40169390		

Item	Parts No.	Description	I/C	QTY	N/O	Opt. 1	Opt. 2	NOTE
033	TK02180103	HOUSING RETAINER RING		1	*	40169390		
033-1	TK02181031	HOUSING RETAINER RING	O	1				
034	TK03P2040N	PAN HD.SCREW M2X4		2		73181500		
035	TKLVF0076C	SWITCH UNIT		1		85365090		
036	TK0T3060FU	+TRUSS HD. SCREW 3X6		3		73181500		
037	TK0000PW50	FLAT WASHER 5		3		73182200		
038	TK01731383	PILLAR BUSH		6		40169390		
039	TK0219SA02	GIMBAL ASSEMBLY		1	*	84679900		
D10		INC. 40-46			*			
039-1	TK219SA021	GIMBAL ASSEMBLY	S	1				
D10		INC. 40-46						
040	TK01830135	UPPER FRAME		1		84679900		
041	TK00174111	GIMBAL INNER RING		1		73182990		
042	TK01730196	FULCRUM SCREW		4		73181500		
043	TK01730199	BALL BEARING		4		84821090		
044	TKS3060FB5	HEX SOCKET HD. SCREW M3X6		4		73181500		
045	TK01730148	O RING		1		40169390		
046	TK0F2580B0	FLAT HEAD SCREW M2.5X8		4		73181500		
047	TK03P2040N	PAN HD.SCREW M2X4		16		73181500		
048	TK219SA03E	LASER UNIT V COMPLETE		3		84679900		
D10		INC. 54						
049	TK02160111	LASER UNIT G COMPLETE		3	*	84679900		
049-1	TK02160111	LASER UNIT G COMPLETE	O	1		84679900		
050	TK00218012	LENS		3	*	90021100		
050-1	TK00218012	LENS	O	1		90021100		
051	TK0000PW20	FLAT WASHER		6	*	73182200		
051-1	TK0000PW20	FLAT WASHER	O	2		73182200		
052	TK03P2060N	PAN HD.SCREW M2X6		6	*	73181500		
052-1	TK03P2060N	PAN HD.SCREW M2X6	O	2		73181500		
053	TK0LV37351	ECCENTRIC SCREW		3	*	73181500		
053-1	TK0LV37351	ECCENTRIC SCREW	O	1		73181500		
054	TK219SA04E	LASER UNIT COMPLETE		3	*	84679900		
D10		INC. 49-53			*			
054-1	TK219SA04E	LASER UNIT COMPLETE	O	1		84679900		
D10		INC. 49-53						
055	TKS2550S05	H.S.SET SCREW(FLAT POINT)		2		73181500		
056	TKS2540FB4	H.S.SET SCREW M2.5X4		2		73181500		
057	TK02160111	LASER UNIT G COMPLETE		1		84679900		
058	TK00218012	LENS		1		90021100		
059	TK0000PW20	FLAT WASHER		2		73182200		
060	TK03P2060N	PAN HD.SCREW M2X6		2		73181500		
061	TK0LV37351	ECCENTRIC SCREW		1		73181500		
062	TK219SA04E	LASER UNIT COMPLETE		1		84679900		
D10		INC. 57-61						
063	TKLVF0068B	CONTROL UNIT		1	*	84679900		
063-1	TKLVF068B1	CONTROL UNIT G3L-LB-1	O	1				
064	TK03P2040N	PAN HD.SCREW M2X4		1		73181500		
065	TK03P2080N	PAN HD. SCREW M2X8		1		73181500		

Item	Parts No.	Description	I/C	QTY	N/O	Opt. 1	Opt. 2	NOTE
066	TKST2060FZ	SPACER		1		73182990		
067	TK0219SET1	BALANCER WEIGHT SET		1	*	84679900		
068	TK0LVE3044	LEAD UNIT A		1		84679900		
069	TK0000PW50	FLAT WASHER 5		3		73182200		
070	TK01701146	PILLAR A		2		84679900		
071	TK02100118	PILLAR B		1		84679900		
072	TKLVF00753	POWER SUPPLY UNIT		1		85044090		
073	TK03P2040N	PAN HD.SCREW M2X4		2		73181500		
074	TK0218SA05	LOWER FRAME COMPLETE		1		84679900		
075	TK0P3080FU	+PAN HD. SCREW M3X8		3		73181500		
076	TK03P2040N	PAN HD.SCREW M2X4		2		73181500		
077	TK0LVF0066	CONNECTOR UNIT		1		84679900		
078	TK03P2080N	PAN HD. SCREW M2X8		2		73181500		
079	TK0TL32108	SWITCH		1		85365090		
080	TK01501151	O RING		1		40169390		
081	TK0173SA13	MAGNET UNIT		1	*	84679900		
081-1	TK173SA131	MAGNET UNIT	S	1				
082	TK0P3060FU	+PAN HEAD SCREW M3X6		3		73181500		
083	TK00170132	DAMPER PLATE A		1	*	73182990		
084	TK01730156	DAMPER PLATE B		1	*	73182990		
084-1	TK01730156	DAMPER PLATE B	S	2		73182990		
085	TKLV272921	RING NUT		1		73182990		
086	TK01970106	ADJUSTING WHEEL		2		73182990		
087	TKS2540FB4	H.S.SET SCREW M2.5X4		2		73181500		
088	TK01821171	BUSH		1		40169390		
089	TK01821141	ADJUSTING ROD		1		73182990		
090	TK01821161	ROTATION RING		1		73182990		
091	TK01821152	ADJUSTING RING		1		73182990		
092	TK0P2550FU	+PAN HD. SCREW M2.5X5		4		73181500		
093	TK0218118S	ADJUSTING FLAME		1		73181500		
094	TK00WW50S0	WAVE WASHER 5		1		73181500		
095	TK01850105	BUSH		1		40169390		
096	TK01851071	SPONGE		3		40169390		
097	TK0P2560FU	+PAN HD. SCREW M2.5X6		3		73181500		
098	TK01821181	TENSION SPRING		1		73209090		
099	TKTP2550FB	+PAN HD. SCREW M2.5X5		1		73181500		
100	TK0218121S	TRIPOD		1		84679900		
101	TKTT3070FU	+TRUSS HD. TAPPING SCREW 3X7		3		73181500		
102	TK02180108	SPIKE		3		84679900		
103	TK01581222	SPIKE CAP		3		84679900		
104	TK0LV36971	COVER GLASS		1	*	70200090		
104-1	TK02180136	COVER SHEET	O	1				
105	TK01821112	UNDER COVER ASSEMBLY		1		84679900		
106	TKTP3010FB	+TAPPING SCREW 3X10		3		73181500		
107	TK00210106	GLASS V		1		70200090		
108	TK02180128	GLASS V RETAINER LABEL		1		70200090		
A01	TK0219UNIM	CD-ROM		1		85234190		
A02	TK219UNQSG	OPERATION GUIDE		1		49019900		

