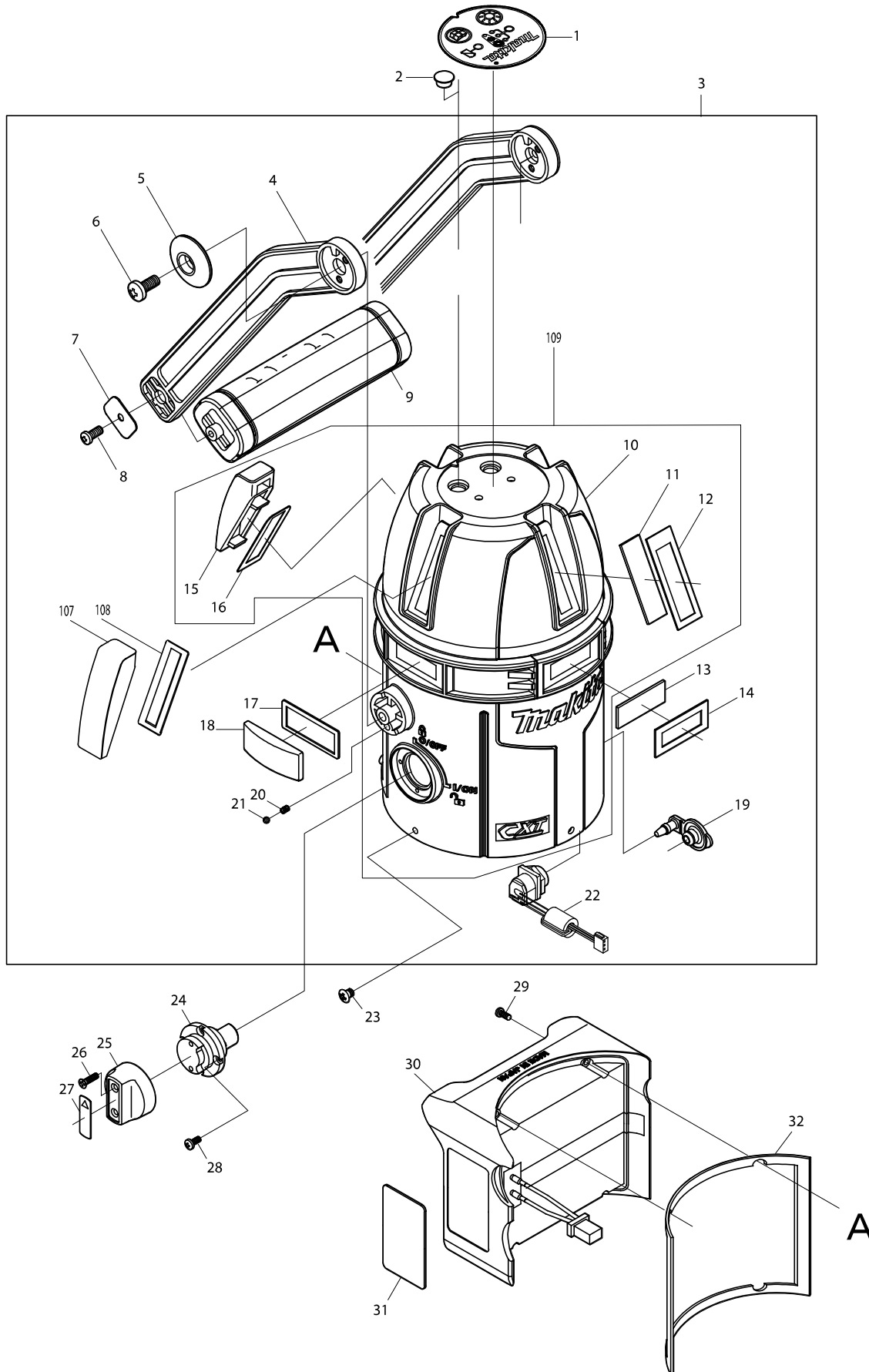
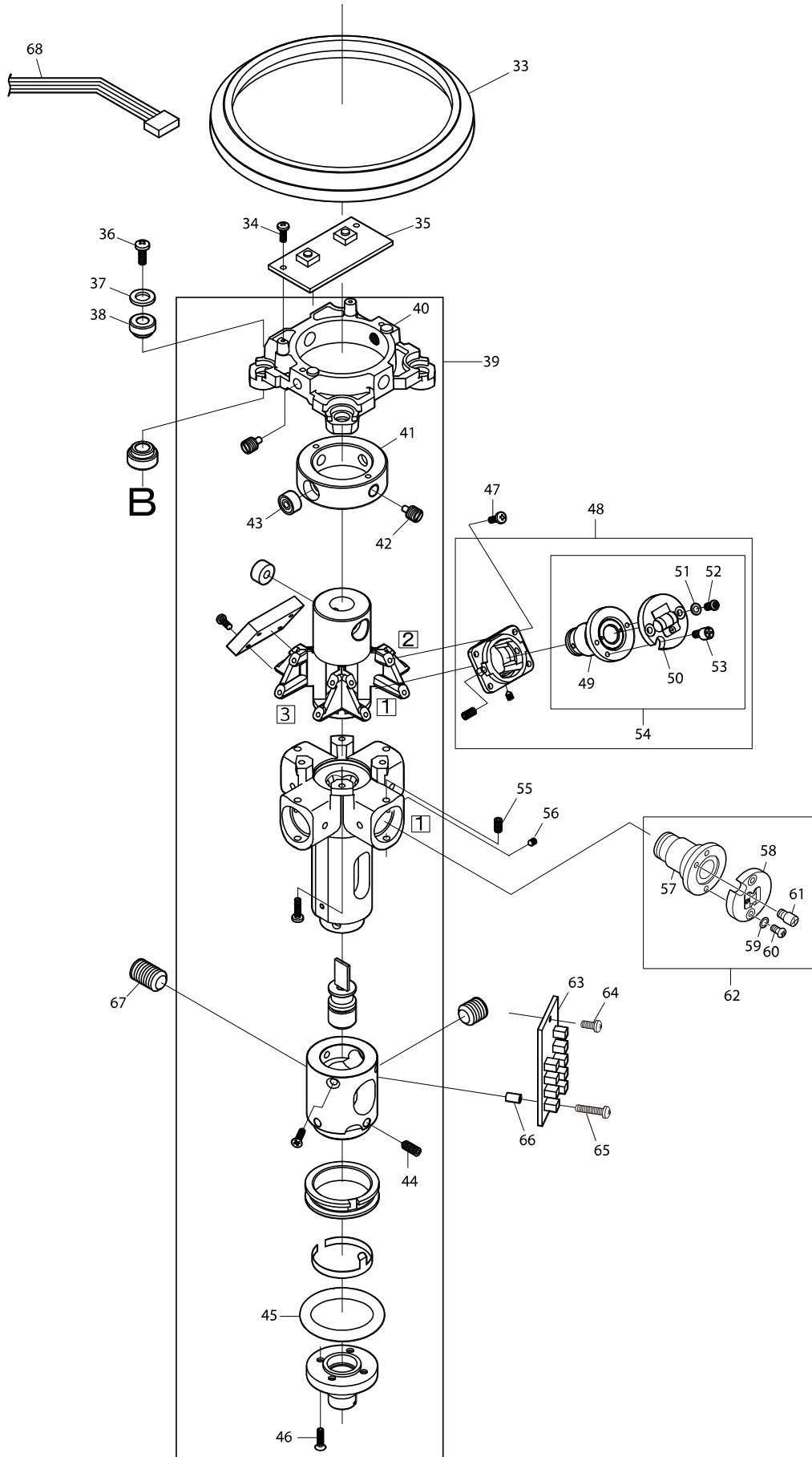


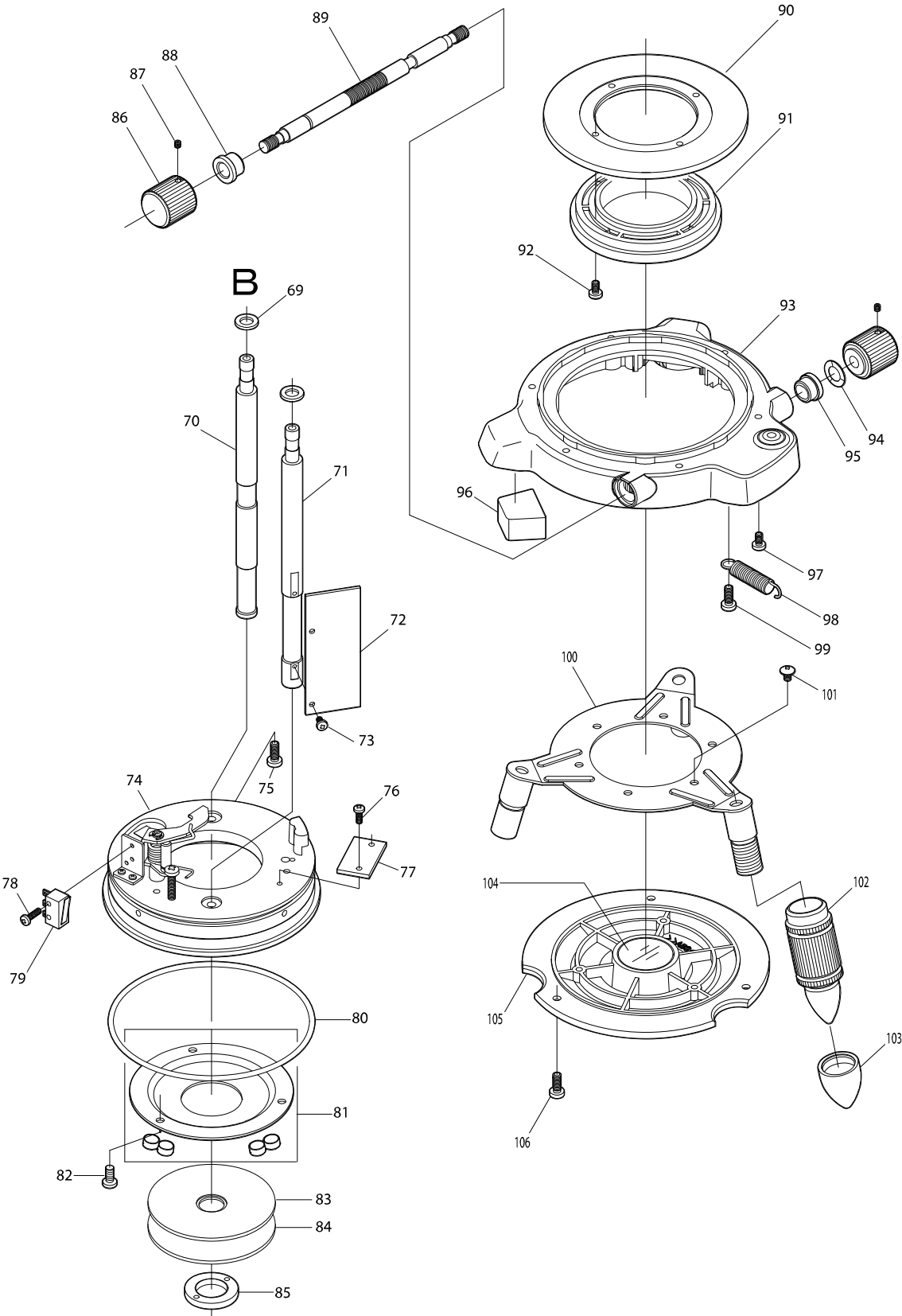
Model No. SK209GD GREEN MULTI LINE LASER



Model No. SK209GD GREEN MULTI LINE LASER



Model No. SK209GD GREEN MULTI LINE LASER



Model No. SK209GD GREEN MULTI LINE LASER

Item	Parts No.	Description	I/C	QTY	N/O	Opt. 1	Opt. 2	NOTE
001	TK219UN101	SWITCH LABEL		1		39199090		
002	TK16010422	SWITCH BUTTON(2.2)		2	*			
002-1	TK16010441	SWITCH BUTTON(4.1)	X	2		40169390		
002A_	TK16010423	SWITCH BUTTON(2.3)		2	*			
002A1	TK16010443	SWITCH BUTTON(4.3)	X	2		40169390		
002B_	TK16010424	SWITCH BUTTON(2.4)		2	*			
002B1	TK16010444	SWITCH BUTTON(4.4)	X	2		40169390		
003	TK220EUSA1	HOUSING ASSEMBLY		1	*			
D10		INC. 4-9,13,14,17-22,107-109			*			
003-1	TK2191EU01	HOUSING COMPLETE	<	1		84679900		
D10		INC. 4-9,13,14,17-22,109						
004	TK02181041	HANDLE		2		84679900		
005	TK02181261	HANDLE RETAINER		2		84679900		
006	TKTP4010FU	+PAN HEAD SCREW M4X10		2	*			
006-1	TKP4010FUS	+PANHEADSCREWM4X10(WITHRUBB	X	2		73181500		
007	TK02180127	GRIP RETAINER		2		73182990		
008	TKTT3010FB	+TRUSS HD. TAPPING SCREW 3X10		2		73181500		
009	TK02181051	GRIP		1		40169390		
010	TK219102EU	HOUSING COMPLETE		1	*	84679900		
011	TK00210106	GLASS V		2		70200090		
012	TK02180128	GLASS V RETAINER LABEL		2		70200090		
013	TK02101071	GLASS H		1		70200090		
014	TK02180129	GLASS H RETAINER LABEL		1		39199090		
015	TK02190125	COVER V		1		73182990		
016	TK02190128	DOUBLE SIDES LABEL V		1		39199090		
017	TK02190126	COVER H		3	*	73182990		
017-1	TK02190129	DOUBLE SIDES LABEL H	X	3		39199090		
018	TK02190129	DOUBLE SIDES LABEL H		3	*	39199090		
018-1	TK02190126	COVER H	X	3		73182990		
019	TKAL411252	DC JUCK COVER		1		84679900		
020	TK02181302	COMPRESSION SPRING E		2		73209090		
021	TK00SB3000	STELL BALL 3		2		73182990		
022	TK219UN131	DC JUCK UN		1		84679900		
023	TK0P2550FB	+ PAN HEAD SCREW M2.5X5		4		73181500		
024	TK0195SA01	LOCK CAM COMPLETE		1	*	84679900		
024-1	TK195SA011	LOCK CAM COMPLETE	O	1				
025	TK01701192	LOCK LEVER		1		73182990		
026	TK03F2080N	COUTERSUNK HD. SCREW M2X8		2		73181500		
027	TK01700104	LOCK SEAL		1		40169390		
028	TKTP2040FU	+PAN HEAD SCREW 2X4		4		73181500		
029	TKTP2080FB	+PAN HEAD TAPPING SCREW 2X8		4		73181500		
030	TK02180008	BATTERY HOLDER COMPLETE		1		82078000		
031	TK220UN113	NAME PLATE 220 UN		1		83100090		
032	TK02181242	BATTERY HOLDER GASKET		1		40169390		
033	TK02180103	HOUSING RETAINER RING		1	*	40169390		
033-1	TK02181031	HOUSING RETAINER RING	O	1				
034	TK03P2040N	PAN HD.SCREW M2X4		2		73181500		
035	TKLVF0076D	SWITCH UNIT		1		85365090		

Model No. SK209GD GREEN MULTI LINE LASER

Item	Parts No.	Description	I/C	QTY	N/O	Opt. 1	Opt. 2	NOTE
036	TK0T3060FU	+TRUSS HD. SCREW 3X6		3		73181500		
037	TK0000PW50	FLAT WASHER 5		3		73182200		
038	TK01731383	PILLAR BUSH		6		40169390		
039	TK0220SA02	GIMBAL ASSEMBLY		1	*	84679900		
D10		INC. 40-46			*			
039-1	TK220SA021	GIMBAL ASSEMBLY	S	1				
D10		INC. 40-46						
040	TK01830135	UPPER FRAME		1		84679900		
041	TK00174111	GIMBAL INNER RING		1		73182990		
042	TK01730196	FULCRUM SCREW		4		73181500		
043	TK01730199	BALL BEARING		4		84821090		
044	TKS3060FB5	HEX SOCKET HD. SCREW M3X6		4		73181500		
045	TK01730148	O RING		1		40169390		
046	TK0F2580B0	FLAT HEAD SCREW M2.5X8		4		73181500		
047	TK03P2040N	PAN HD.SCREW M2X4		16		73181500		
048	TK219SA03E	LASER UNIT V COMPLETE		2		84679900		
D10		INC. 54						
049	TK02160111	LASER UNIT G COMPLETE		1		84679900		
050	TK00218012	LENS		1		90021100		
051	TK0000PW20	FLAT WASHER		2		73182200		
052	TK03P2060N	PAN HD.SCREW M2X6		2		73181500		
053	TK0LV37351	ECCENTRIC SCREW		1		73181500		
054	TK219SA04E	LASER UNIT COMPLETE		1		84679900		
D10		INC. 49-53						
055	TKS2550S05	H.S.SET SCREW(FLAT POINT)		2		73181500		
056	TKS2540FB4	H.S.SET SCREW M2.5X4		2		73181500		
057	TK02160111	LASER UNIT G COMPLETE		1		84679900		
058	TK00218012	LENS		1		90021100		
059	TK0000PW20	FLAT WASHER		2		73182200		
060	TK03P2060N	PAN HD.SCREW M2X6		2		73181500		
061	TK0LV37351	ECCENTRIC SCREW		1		73181500		
062	TK219SA04E	LASER UNIT COMPLETE		1		84679900		
D10		INC. 57-61						
063	TKLVF0068B	CONTROL UNIT		1	*	84679900		
063-1	TKLVF0068F	CONTROL UNIT G3L-LF	O	1				
064	TK03P2040N	PAN HD.SCREW M2X4		1		73181500		
065	TK03P2080N	PAN HD. SCREW M2X8		1		73181500		
066	TKST2060FZ	SPACER		1		73182990		
067	TK0219SET1	BALANCER WEIGHT SET		1	*	84679900		
068	TK0LVE3044	LEAD UNIT A		1		84679900		
069	TK0000PW50	FLAT WASHER 5		3		73182200		
070	TK01701146	PILLAR A		2		84679900		
071	TK02100118	PILLAR B		1		84679900		
072	TKLVF00753	POWER SUPPLY UNIT		1		85044090		
073	TK03P2040N	PAN HD.SCREW M2X4		2		73181500		
074	TK0218SA05	LOWER FRAME COMPLETE		1		84679900		
075	TK0P3080FU	+PAN HD. SCREW M3X8		3		73181500		
076	TK03P2040N	PAN HD.SCREW M2X4		2		73181500		

Item	Parts No.	Description	I/C	QTY	N/O	Opt. 1	Opt. 2	NOTE
077	TK0LVF0066	CONNECTOR UNIT		1		84679900		
078	TK03P2080N	PAN HD. SCREW M2X8		2		73181500		
079	TK0TL32108	SWITCH		1		85365090		
080	TK01501151	O RING		1		40169390		
081	TK0173SA13	MAGNET UNIT		1	*	84679900		
081-1	TK173SA131	MAGNET UNIT	S	1				
082	TK0P3060FU	+PAN HEAD SCREW M3X6		3		73181500		
083	TK00170132	DAMPER PLATE A		1	*	73182990		
084	TK01730156	DAMPER PLATE B		1	*	73182990		
084-1	TK01730156	DAMPER PLATE B	S	2		73182990		
085	TKLV272921	RING NUT		1		73182990		
086	TK01970106	ADJUSTING WHEEL		2		73182990		
087	TKS2540FB4	H.S.SET SCREW M2.5X4		2		73181500		
088	TK01821171	BUSH		1		40169390		
089	TK01821141	ADJUSTING ROD		1		73182990		
090	TK01821161	ROTATION RING		1		73182990		
091	TK01821152	ADJUSTING RING		1		73182990		
092	TK0P2550FU	+PAN HD. SCREW M2.5X5		4		73181500		
093	TK0218118S	ADJUSTING FLAME		1		73181500		
094	TK00WW50S0	WAVE WASHER 5		1		73181500		
095	TK01850105	BUSH		1		40169390		
096	TK01851071	SPONGE		3		40169390		
097	TK0P2560FU	+PAN HD. SCREW M2.5X6		3		73181500		
098	TK01821181	TENSION SPRING		1		73209090		
099	TKTP2550FB	+PAN HD. SCREW M2.5X5		1		73181500		
100	TK0218121S	TRIPOD		1		84679900		
101	TKTT3070FU	+TRUSS HD. TAPPING SCREW 3X7		3		73181500		
102	TK02180108	SPIKE		3		84679900		
103	TK01581222	SPIKE CAP		3		84679900		
104	TK0LV36971	COVER GLASS		1	*	70200090		
104-1	TK02180136	COVER SHEET	O	1				
105	TK01821112	UNDER COVER ASSEMBLY		1		84679900		
106	TKTP3010FB	+TAPPING SCREW 3X10		3		73181500		
107	TK02190125	COVER V		1		73182990		
108	TK02190128	DOUBLE SIDES LABEL V		1		39199090		
109	TK2191EU01	HOUSING COMPLETE		1	*	84679900		
D10		INC. 10-12,15,16			*			
109-1	TK219102EA	HOUSING COMPLETE	<	1				
D10		INC. 11-18						
A01	TK0219UNIM	CD-ROM		1		85234190		
A02	TK219UNQSG	OPERATION GUIDE		1		49019900		
A03	TK0219UNSB	SAFETY MANUAL		1		49019900		
A04	TK02100200	GLASSES LASER VISIBILITY		1		90049090		
A05	TK00SB0001	SHOULDER BELT		1		40169390		
A06	TKAK400MUS	STORAGE CASE		1	*			
A06-1	TKAK400M00	STORAGE CASE	>	1				
A07	TK220UNCB1	CARTON		1				
A08	TK00220901	MODEL LABEL		1				