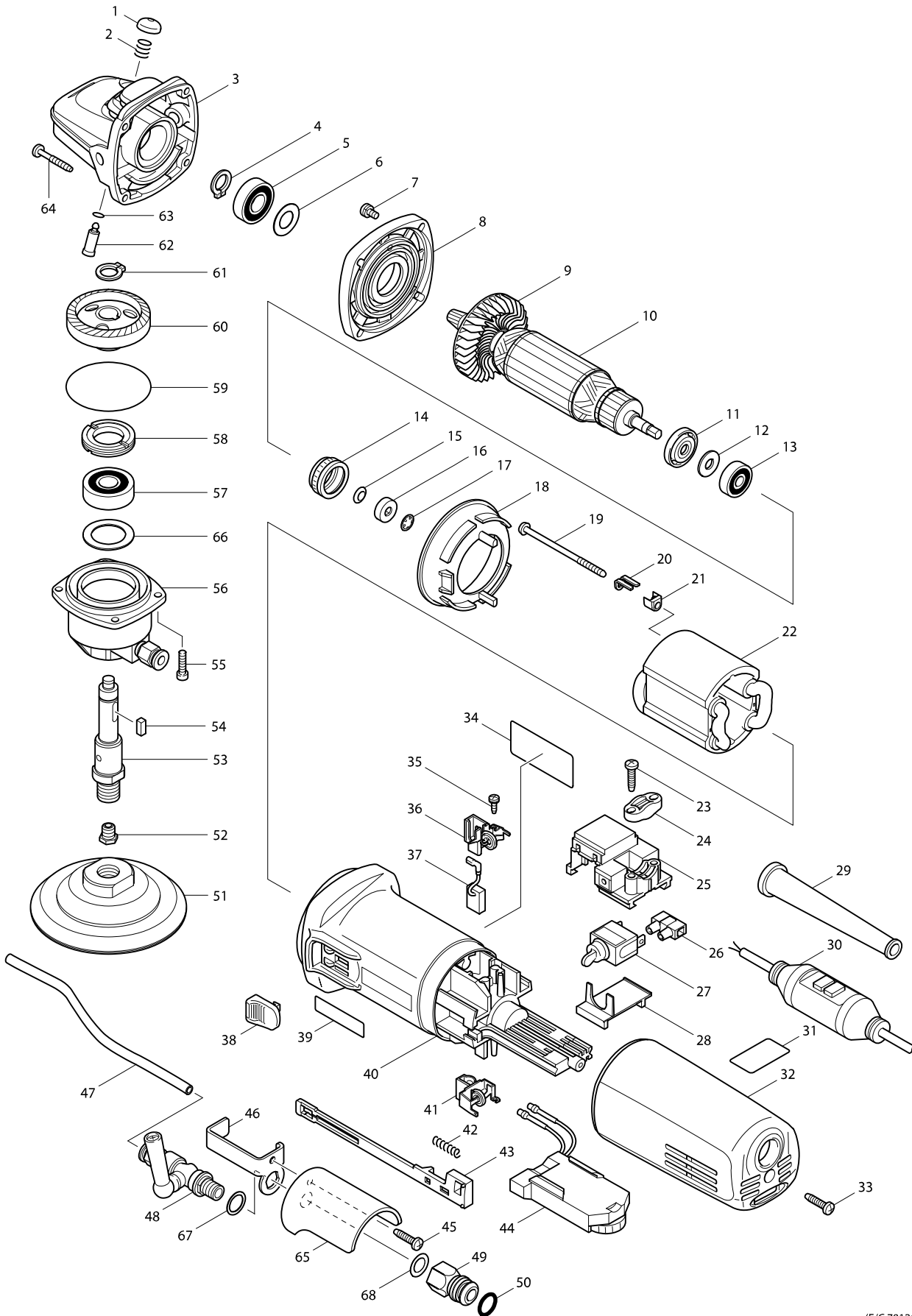


Model No. PW5001C STONE POLISHER 125MM



(E/C 70120)

Model No. PW5001C STONE POLISHER 125MM

| Item | Parts No. | Description | I/C | QTY | N/O | Opt. 1 | Opt. 2 | NOTE |
|-------|-----------|--------------------------|-----|-----|-----|----------|--------|------|
| 001-1 | 418067-8 | PIN CAP | | 1 | | 40169390 | | |
| 002 | 233072-2 | COMPRESSION SPRING 8 | | 1 | | 73209090 | | |
| 003-1 | 153488-4 | GEAR HOUSING COMPLETE | | 1 | | 84679900 | | |
| 004 | 961052-5 | RETAINING RING S-12 | | 1 | | 73182990 | | |
| 005-1 | 210105-0 | BALL BEARING 6001LLU | | 1 | | 84821090 | | |
| 006 | 253084-9 | FLAT WASHER 12 | | 1 | | 84679900 | | |
| 007 | 652014-1 | PAN HEAD SCREW M4X8 | | 1 | | 73181500 | | |
| 008 | 317736-7 | GEAR HOUSING COVER | | 1 | | 84679900 | | |
| 009 | 240033-5 | FAN 57 | | 1 | | 84145190 | | |
| 010 | 515268-0 | ARMATURE ASS'Y 220V | | 1 | | 85030090 | | |
| D10 | | INC. 9,11,12,13 | | | | | | |
| 011 | 681656-4 | INSULATION WASHER | | 1 | | 73182200 | | |
| 012 | 253823-7 | FLAT WASHER 7 | | 1 | | 84679900 | | |
| 013 | 210027-4 | BALL BEARING 627DDW | | 1 | | 84821090 | | |
| 014 | 421738-8 | LABYRINTH RUBBER RING 22 | | 1 | | 40169390 | | |
| 015 | 267756-0 | WAVE WASHER 6 | | 1 | | 73182200 | | |
| 016 | 688117-5 | MAGNET SLEEVE | | 1 | | 73182990 | | |
| 017 | 259039-2 | SELF LOCK 6 | | 1 | | 73182990 | | |
| 018 | 418452-5 | BAFFLE PLATE | | 1 | | | | |
| 019 | 266258-3 | TAPPING SCREW 4X70 | | 2 | | 73181500 | | |
| 020 | 344871-8 | RETAINER | | 2 | | 73182200 | | |
| 021 | 417237-6 | INSULATION COVER | | 2 | | 84679900 | | |
| 022 | 626548-0 | FIELD 220V | | 1 | | 85030090 | | |
| 023 | 265995-6 | TAPPING SCREW 4X18 | | 2 | | 73181500 | | |
| 024 | 687053-2 | STRAIN RELIEF | | 1 | | 84679900 | | |
| 025 | 632999-7 | SWITCH BLOCK | | 1 | | 84679900 | | |
| 026 | 654532-5 | TERMINAL BLOCK 1P | | 1 | | 73182990 | | |
| 027 | 651418-4 | SWITCH ST115A-40 | | 1 | | 85366990 | | |
| 028 | 687113-0 | COVER | | 1 | | 84679900 | | |
| 029 | 682566-8 | CORD GUARD 10 | | 1 | | 73182990 | | |
| 030 | 699027-1 | POWER SUPPLY CORD UNIT | | 1 | * | 85442090 | | |
| 030-1 | 699027-1 | POWER SUPPLY CORD UNIT | < | 1 | | 85442090 | | |
| 031 | 816399-1 | INDICATION LABEL | | 1 | * | | | |
| 031-1 | 816398-3 | INDICATION LABEL | < | 1 | | | | |
| 032 | 418453-3 | REAR COVER | | 1 | | 84679900 | | |
| 033 | 265995-6 | TAPPING SCREW 4X18 | | 1 | | 73181500 | | |
| 034 | 860103-0 | NAME PLATE PW5001C | | 1 | | | | |
| 035 | 266256-7 | TAPPING SCREW PT3X10 | | 4 | | 73181500 | | |
| 036 | 643765-7 | BRUSH HOLDER | | 1 | | 82078000 | | |
| 037 | 191978-9 | A.C. CARBON BRUSH CB-318 | | 1 | | 85452000 | | |
| 038 | 417813-6 | SWITCH KNOB | | 1 | | 40169390 | | |
| 040-1 | 418512-3 | MOTOR HOUSING | | 1 | | 84679900 | | |
| 041 | 643765-7 | BRUSH HOLDER | | 1 | | 82078000 | | |
| 042 | 233071-4 | COMPRESSION SPRING 4 | | 1 | | 73209090 | | |
| 043 | 417186-7 | SWITCH LEVER | | 1 | | 84679900 | | |
| 044 | 631636-0 | CONTROLLER | | 1 | | 84679900 | | |
| 045 | 265995-6 | TAPPING SCREW 4X18 | | 1 | | 73181500 | | |
| 046 | 345372-9 | PLATE | | 1 | | | | |

| Item | Parts No. | Description | I/C | QTY | N/O | Opt. 1 | Opt. 2 | NOTE |
|-------|-----------|-----------------------------|-----|-----|-----|----------|--------|------|
| 047 | 245031-4 | HOSE | | 1 | | 40169390 | | |
| 048-1 | 154649-9 | COCK COMPLETE | | 1 | | 84679900 | | |
| C10 | 243098-6 | JOINT | | 1 | | | | |
| 049 | 331669-2 | HOSE JOINT | | 1 | | 73182990 | | |
| 050 | 213107-5 | O RING 12 | | 1 | | 40169320 | | |
| 051 | 743080-0 | PAD 100 | | 1 | | 40169390 | | |
| 052 | 324407-9 | NOZZLE | | 1 | * | 40169390 | | |
| 052-1 | 325967-4 | NOZZLE | < | 1 | | | | |
| 053 | 324409-5 | SPINDLE | | 1 | | 84679900 | | |
| 054 | 254202-2 | KEY 4 | | 1 | | 84679900 | | |
| 055 | 265490-6 | HEX. SOCKET HEAD BOLT M4X16 | | 4 | | 73181500 | | |
| 056 | 153717-5 | BEARING BOX COMPLETE | | 1 | | 84833000 | | |
| C10 | 213280-1 | OIL SEAL 17 | | 2 | | | | |
| C20 | 243098-6 | JOINT | | 1 | | | | |
| 057 | 211129-9 | BALL BEARING 6201DDW | | 1 | | 84821090 | | |
| 058 | 285841-7 | BEARING RETAINER | | 1 | | 84679900 | | |
| 059 | 213673-2 | O RING 52 | | 1 | | 40169320 | | |
| 060 | 227455-6 | SPIRAL BEVEL GEAR 38 | | 1 | | 84679900 | | |
| 061 | 961052-5 | RETAINING RING S-12 | | 1 | | 73182990 | | |
| 062 | 256459-1 | PIN | | 1 | | 73182990 | | |
| 063 | 213048-5 | O RING 6 | | 1 | | 40169320 | | |
| 064 | 266257-5 | TAPPING SCREW 4X28 | | 4 | | 73181500 | | |
| 066 | 267126-3 | FLAT WASHER 22 | | 1 | | 73182200 | | |
| 067 | 261128-1 | RUBBER WASHER 12 | | 1 | | 73182990 | | |
| 068 | 261127-3 | TEFLON WASHER 10 | | 1 | * | 73182990 | | |
| 068-1 | 261127-3 | TEFLON WASHER 10 | O | 1 | | 73182990 | | |
| A01 | 152490-4 | GRIP 36 COMPLETE | | 1 | | 84679900 | | |
| A02 | 265083-9 | + FLAT HEAD SCREW M8X11 | | 2 | | 73181500 | | |
| A03 | 417322-5 | HEAD COVER | | 1 | | 84679900 | | |
| A04 | 781008-0 | WRENCH 17 | | 1 | | 82041120 | | |
| E01 | 154662-7 | DUST COVER COMPLETE | | 1 | | 84679900 | | |
| C10 | 443121-9 | DUST COLLECT BRUSH | | 1 | | | | |
| E02 | 345587-8 | BAND A | | 1 | | | | |
| E03 | 345588-6 | BAND B | | 1 | | | | |
| E04 | 251391-4 | PAN HEAD SCREW M5X16 | | 2 | | 73181500 | | |
| | | | | | | | | |
| | | | | | | | | |
| | | | | | | | | |
| | | | | | | | | |
| | | | | | | | | |
| | | | | | | | | |
| | | | | | | | | |
| | | | | | | | | |
| | | | | | | | | |
| | | | | | | | | |
| | | | | | | | | |
| | | | | | | | | |
| | | | | | | | | |
| | | | | | | | | |
| | | | | | | | | |
| | | | | | | | | |
| | | | | | | | | |
| | | | | | | | | |
| | | | | | | | | |
| | | | | | | | | |