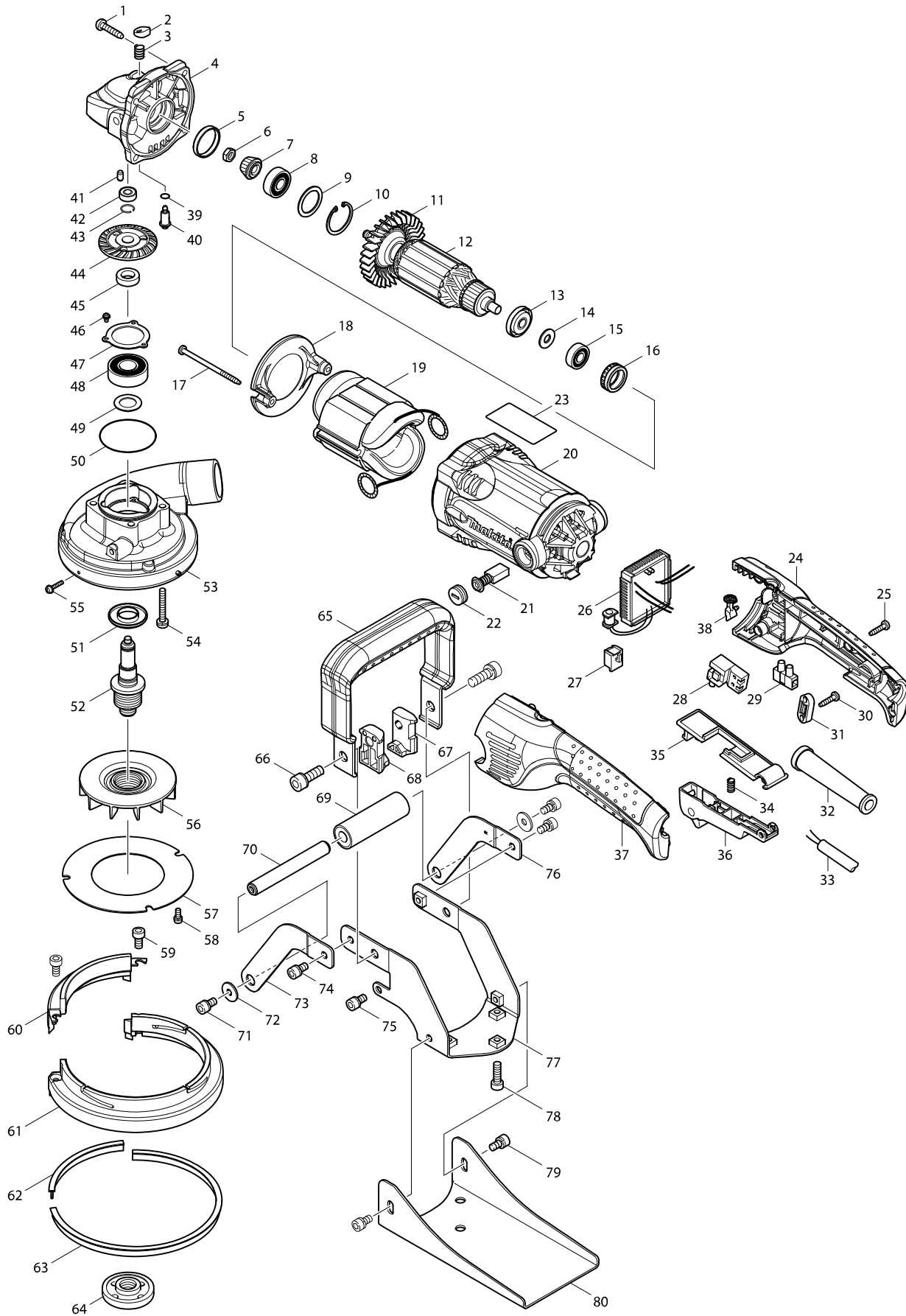


# Model No. PC5001C CONCRETE PLANER 125MM



**Model No. PC5001C CONCRETE PLANER 125MM**

Item	Parts No.	Description	I/C	QTY	N/O	Opt. 1	Opt. 2	NOTE
001	266459-3	TAPPING SCREW 5X25		4		73181500		
002	417771-6	PIN CAP		1		40169390		
003	234057-1	COMPRESSION SPRING 8		1		73209090		
004	318158-4	GEAR HOUSING		1		84679900		
005	424051-3	RUBBER RING 26		1		40169390		
006	264010-3	HEX.NUT M7		1		73181600		
007	227520-1	SPIRAL BEVEL GEAR 11		1		84679900		
008-1	210059-1	BALL BEARING 6000DDW		1		84821090		
009	267352-4	FLAT WASHER 22		1		73182200		
010	962107-9	RETAINING RING (INT) R-30		1		73182990		
011	240094-5	FAN 70		1		84145190		
012-2	518685-3	ARMATURE ASS'Y 240V		1				
D10		INC. 11,13-15						
013	681660-3	INSULATION WASHER		1		73182200		
014	267281-1	FLAT WASHER 8		1		73182200		
015	210005-4	BALL BEARING 608DDW		1		84821090		
016	421720-7	RUBBER RING 22		1		40169390		
017	266325-4	TAPPING SCREW 4X70		2		73181500		
018	419961-7	BAFFLE PLATE		1		84679900		
019-1	528819-0	FIELD ASS'Y 240V		1				
C10	654020-2	RING TERMINAL		2		73182990		
C20	654501-6	CONNECTOR P-1.25		2		73182990		
020	140019-8	MOTOR HOUSING COMPLETE		1				
C10	643751-8	BRUSH HOLDER		2		82078000		
021	194547-5	CARBON BRUSH CB-253		1		85452000		
022	643750-0	BRUSH HOLDER CAP 7-11		2		40169390		
023	866331-5	PC5001C NAME PLATE		1				
024	188630-8	HANDLE SET		1				
D10		INC. 37						
025	266326-2	TAPPING SCREW 4X18		4		73181500		
026	631799-2	CONTROLLER		1				
027	418518-1	SLEEVE		1		73182990		
028-2	651922-3	SWITCH TG71B		1		85366990		
029	654575-7	TERMINAL BLOCK		1		73182990		
030	266326-2	TAPPING SCREW 4X18		2		73181500		
031	687124-5	STRAIN RELIEF		1		84679900		
032	682574-9	CORD GUARD 10-90		1		73182990		
033	665883-1	POWER SUPPLY CORD 1.0-2-5.0		1		85442090		
034	233117-6	COMPRESSION SPRING 6		1		73209090		
035	418519-9	SWITCH BASE		1				
036	158403-3	SWITCH LEVER C COMPLETE		1				
037	188630-8	HANDLE SET		1				
D10		INC. 24						
038	450184-8	LENS		1				
039	213977-2	O RING 7		1		40169320		
040	256505-0	SHOULDER PIN 5		1		73182990		
041	263002-9	RUBBER PIN 4		1		40169390		
042	210006-2	BALL BEARING 696ZZ		1		84821090		

Item	Parts No.	Description	I/C	QTY	N/O	Opt. 1	Opt. 2	NOTE
043	233950-6	RING SPRING 11		1		73209090		
044	227521-9	SPIRAL BEVEL GEAR 35A		1				
045	257171-6	RING 12		1				
046	911003-8	PAN HEAD SCREW M3X6		3		73181500		
047	285728-3	BEARING RETAINER 39		1		84679900		
048	211228-7	BALL BEARING 6202DDW		1		84821090		
049	253853-8	FLAT WASHER 15		1		84679900		
050	213624-5	O RING 48		1		40169320		
051	345464-4	LABYRINTH RING		1		73182990		
052	325625-2	SPINDLE		1				
053-1	141021-4	SKIRT B COMPLETE		1				
054	911256-9	PAN HEAD SCREW M5X35		4		73181500		
055	911024-0	PAN HEAD SCREW M3X14		1				
056	240114-5	FAN 85		1				
057	346045-7	SEPARATOR		1				
058	911115-7	PAN HEAD SCREW M4X10		3				
059	922312-0	HEX. SOCKET HEAD BOLT M6X12		2		73181500		
060-1	424526-2	DUST COVER CAP		1				
061-1	424525-4	DUST COVER		1				
062-1	743341-8	BRUSH B		1				
063-1	743340-0	BRUSH A		1				
064	224554-5	LOCK NUT 14-45		1		73181600		
065	273529-1	GRIP		1				
066	922441-9	HEX. SOCKET HEAD BOLT M8X25		2		73181500		
067	450190-3	SPACER B		1				
068	450190-3	SPACER B		1				
069	152179-4	FRONT ROLLER COMPLETE		1				
070	321436-3	FRONT ROLLER SHAFT		1				
071	922311-2	HEX. SOCKET HEAD BOLT M6X12		2		73181500		
072	253011-6	FLAT WASHER 6		2		84679900		
073	346042-3	ROLLER HOLDER L		1				
074	922311-2	HEX. SOCKET HEAD BOLT M6X12		2		73181500		
075	922311-2	HEX. SOCKET HEAD BOLT M6X12		1		73181500		
076	346043-1	ROLLER HOLDER R		1				
077	346044-9	BASE HOLDER		1				
078-1	265498-0	HEX.SOCKET HEAD BOLT M6X20		3				
079	922311-2	HEX. SOCKET HEAD BOLT M6X12		2		73181500		
080	341840-0	BASE		1				
081	253828-7	FLAT WASHER 10		1		84679900		
A01	122853-8	DUST BAG ASS'Y		1				
A02	410047-0	WRENCH HOLDER 5.6		1		82078000		
A03	782426-5	LOCK NUT WRENCH 35		1				
A04	783203-8	HEX. WRENCH 5		1		82041120		
A05	140073-2	STEEL CARRYING CASE COMPLETE		1				
C10	819351-8	MAKITA LOGO LABEL		1				
A07	B-12289	OFFSET DIAMOND WHEEL 125		1		68042390		