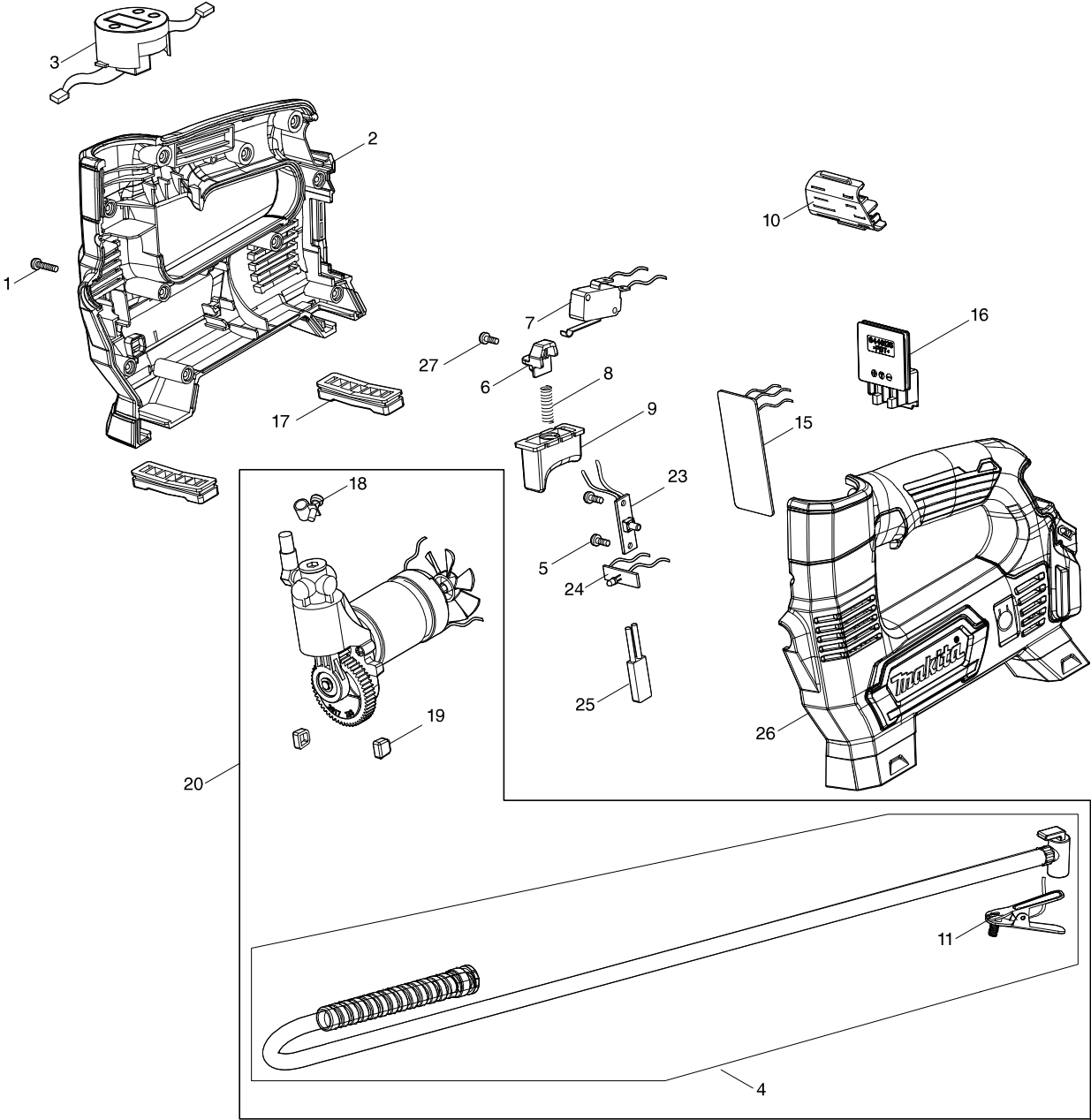


Model No. MP100D CORDLESS INFLACTOR



Model No. MP100D CORDLESS INFLACTOR

Item	Parts No.	Description	I/C	QTY	N/O	Opt. 1	Opt. 2	NOTE
001	TE00000324	SCREW 3*14		10		84679900		
002	TE00000351	HOUSING SET		1		84679900		
D10		INC. 26						
003	TE00000326	DIGITAL DISPLAY		1		84679900		
004	TE00000345	AIR PIPE ASSEMBLY		1				
D10		INC. 11						
005	TE00000327	SCREW 3*10		2		84679900		
006	TE00000328	TRIGGER SPRING-FIXED BLOCK		1		84679900		
007	TE00000329	SWITCH		1		84679900		
008	TE00000330	SPRING		1		84679900		
009	TE00000331	SWITCH TRIGGER		1		84679900		
010	TE00000332	FIXED BRACKET		1		84679900		
011	TE00000346	BRITISH ADAPTER		1				
012	TE00000333	SWIM RING ADAPTER		1	*			
013	TE00000334	FRENCH ADAPTER		1	*			
014	TE00000335	BALL ADAPTER		1	*			
015	TE00000336	PCB		1		84679900		
016	TE00000337	BATTERY TERMINAL		1		85069000		
017	TE00000338	MAT		2		84679900		
018	TE00000352	CLAMP		1				
019	TE00000339	RUBBER(CYLINDER)		1				
020	TE00000340	MOTOR ASSEMBLY		1				
D10		INC. 4,18,19						
023	TE00000341	POWER ON/OFF		1		84679900		
024	TE00000342	LED PCB		1				
025	TE00000343	TERMINAL PROTECTOR		1		84679900		
026	TE00000351	HOUSING SET		1		84679900		
D10		INC. 2						
027	TE00000327	SCREW 3*10		1		84679900		
A01	TE00000333	SWIM RING ADAPTER		1				
A02	TE00000334	FRENCH ADAPTER		1				
A03	TE00000335	BALL ADAPTER		1				