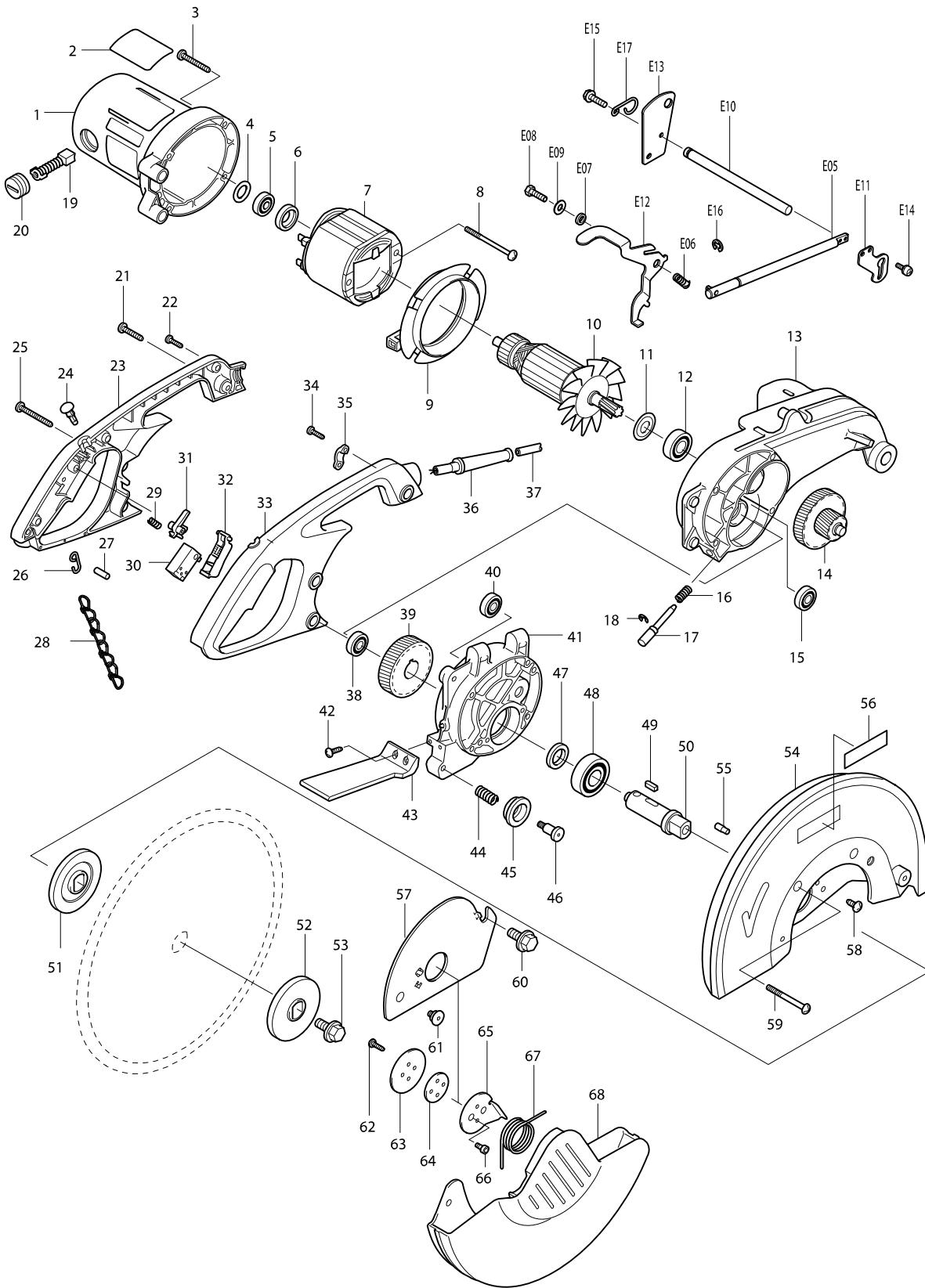
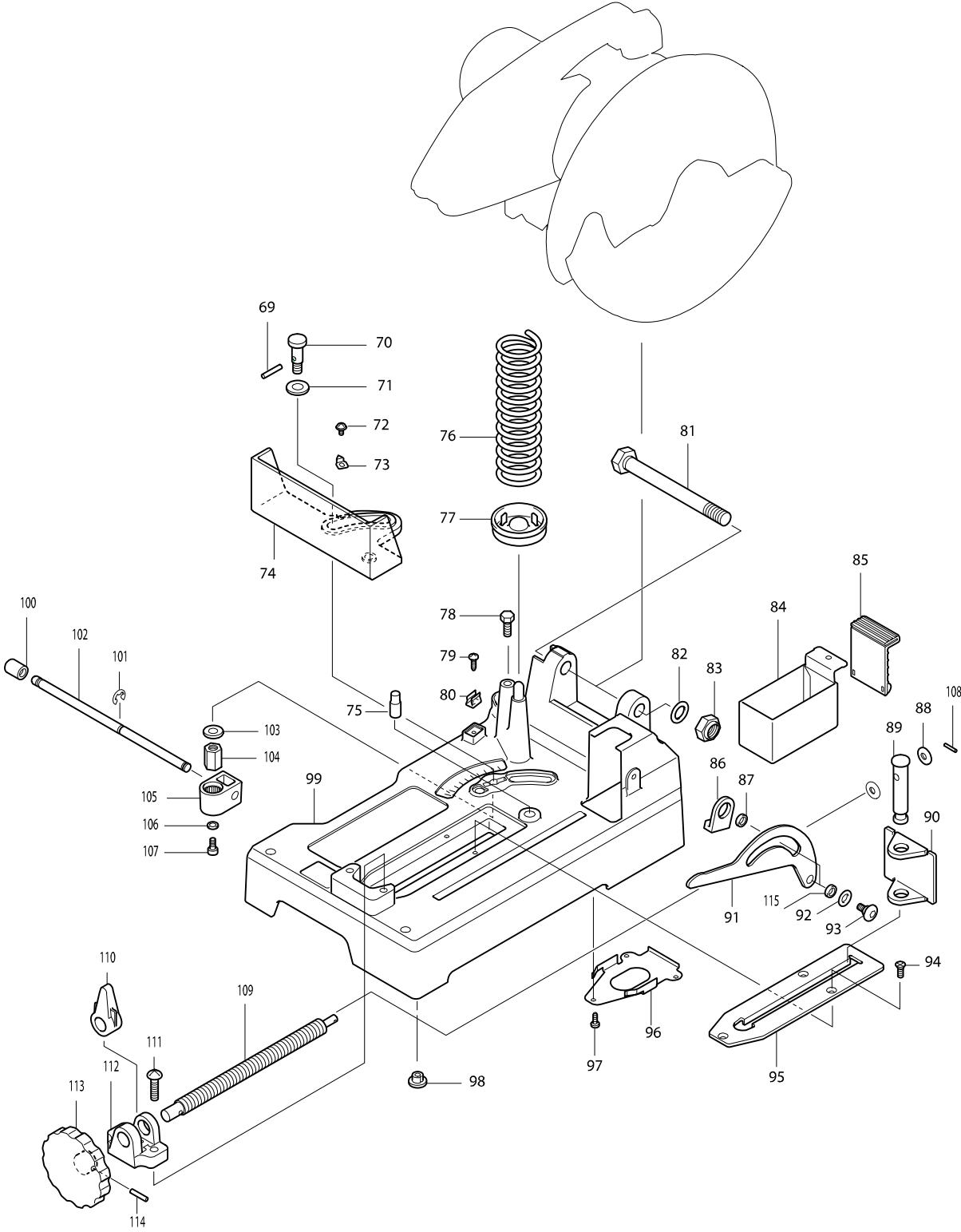


Model No. LC1230 METAL CUTTING SAW 305MM



Model No. LC1230 METAL CUTTING SAW 305MM



Model No. LC1230 METAL CUTTING SAW 305MM

Item	Parts No.	Description	I/C	QTY	N/O	Opt. 1	Opt. 2	NOTE
001	151625-4	MOTOR HOUSING COMPLETE		1				
C10	632799-5	SUPPORT UNIT		1				
C21	643707-1	BRUSH HOLDER		2		82078000		
C30	817874-0	CAUTION LABEL		1				
C40	817881-3	CAUTION LABEL		1				
002	851537-8	NAME PLATE LC1230		1				
003	266028-0	TAPPING SCREW BIND CT 5X40		4		73181500		
004	253749-3	FLAT WASHER 16		1		84679900		
005-2	210042-8	BALL BEARING 629LLB		1		84821090		
006-1	681666-1	INSULATION WASHER		1		73182200		
007B_	636169-0	FIELD 240V		1		85030090		
008	266059-9	TAPPING SCREW 5X75		2		73181500		
009	415475-4	BAFFLE PLATE		1		73182990		
010B1	510284-7	ARMATURE ASS'Y 240V		1				
C10	241514-2	FAN 92		1		84145190		
D10		INC. 5,6						
011	267714-6	WASHER 15		1		73182200		
012	211206-7	BALL BEARING 6202LLB		1		84821090		
013	316626-1	GEAR HOUSING (L)		1		84679900		
014	226122-0	GEAR COMPLETE 16-44		1		84834000		
015	211064-1	BALL BEARING 6000		1		84821090		
016	231418-6	COMPRESSION SPRING 9		1		73209090		
017	322678-2	SHAFT LOCK		1		84679900		
018	961014-3	STOP RING E-8		1		73182990		
019	191953-5	CARBON BRUSH CB-203		1		85452000		
020	643700-5	BRUSH HOLDER CAP 7-18		2		82078000		
021	266032-9	TAPPING SCREW BIND CT 5X30		1		73181500		
022	265995-6	TAPPING SCREW 4X18		4		73181500		
023	182628-7	HANDLE SET		1		84679900		
D10		INC. 33						
024	411478-6	SWITCH BUTTON		1		39269099		
025	266033-7	TAPPING SCREW BIND CT 5X50		2		73181500		
026-1	281216-8	HANGER		1		73182990		
027-1	268101-2	PIN 6		1		73182990		
028-1	282016-9	CHAIN		1	*	82029990		
028-2	281022-1	CHAIN	<	1				
029	231397-8	COMPRESSION SPRING 4		1		73209090		
030	651922-3	SWITCH TG71B		1		85366990		
031	415366-9	SWITCH LOCK		1		73182990		
032	152463-7	SWITCH LEVER COMPLETE		1		84679900		
033	182628-7	HANDLE SET		1		84679900		
D10		INC. 23						
034	265995-6	TAPPING SCREW 4X18		2		73181500		
035	687052-4	STRAIN RELIEF		1	*	84679900		
035-1	687124-5	STRAIN RELIEF	O	1		84679900		
036B_	682540-6	CORD GUARD 9.3-90		1		73182990		
037E_	665865-3	POWER SUPPLY CORD 1.0-2-2.5		1		85442090		
038	211064-1	BALL BEARING 6000		1		84821090		

Model No. LC1230 METAL CUTTING SAW 305MM

Item	Parts No.	Description	I/C	QTY	N/O	Opt. 1	Opt. 2	NOTE
039	226427-8	HELICAL GEAR 38		1		84834000		
040	211061-7	BALL BEARING 6000LLB		1		84821090		
041	317148-4	GEAR HOUSING R		1		84679900		
042	266034-5	TAPPING SCREW CT 4X16		2		73181500		
043	416869-6	PROTECTOR		1		84679900		
044	231226-5	COMPRESSION SPRING 11		1		73209090		
045	415474-6	BLADE GUIDE		1		84679900		
046	266030-3	SCREW M6		1		73181500		
047	257139-2	RING 20		1		73182990		
048	211329-1	BALL BEARING 6204DDW		1		84821090		
049	254229-2	KEY 5		1		84679900		
050	323828-2	SPINDLE		1		84679900		
051	224308-0	INNER FLANGE 69		1		73182990		
052-1	224379-7	OUTER FLANGE 69		1		73182990		
053	265414-2	HEX. FLANGE HEAD BOLT M10X20		1		73181500		
054	183089-4	BLADE CASE SET		1		84679900		
D10		INC. 56						
055	256405-4	PIN 6-7		2				
056	819064-1	MAKITA MARK		1		83100090		
057	344737-2	CENTER COVER		1		73182990		
058	266035-3	TAPPING SCREW BIND CT 5X12		2		73181500		
059	911383-2	PAN HEAD SCREW M6X60		4		73181500		
060	265414-2	HEX. FLANGE HEAD BOLT M10X20		1		73181500		
061-1	265121-7	+ FLAT HEAD SCREW M6		1		73181500		
062	266034-5	TAPPING SCREW CT 4X16		2		73181500		
063	344735-6	CENTER SUPPORT		1		73182990		
064	344734-8	CENTER WASHER		1		73182990		
065	344736-4	CENTER PLATE		1		73182990		
066	922107-1	HEX. SOCKET HEAD BOLT M4X8		2		73181500		
067	231643-9	TORSION SPRING 38		1		73209090		
068	317152-3	SAFETY COVER		1		84679900		
069	256098-7	PIN 5		1		73182990		
070	323882-6	COLLARED SHAFT 12		1		84831099		
071	253843-1	FLAT WASHER 12		1		84679900		
072	911103-4	PAN HEAD SCREW M4X6		1		73181500		
073	816128-2	POINTER		1		83100090		
074	310086-9	WISE		1		84679900		
075	256453-3	PIN 12		1		73182990		
076	233103-7	COMPRESSION SPRING 45		1		73209090		
077	165066-8	SPRING HOLDER		1		84679900		
078	265412-6	HEX. BOLT M8X20		1		73181500		
079	266034-5	TAPPING SCREW CT 4X16		1		73181500		
080	232075-3	LEAF SPRING		1		73209090		
081	265413-4	HEX. BOLT M16		1		73181500		
082	253771-0	FLAT WASHER 16		1		84679900		
083	252044-8	HEX. NUT M16-24		1		73181500		
084	344740-3	DUST BOX		1		73182990		
085	421671-4	RUBBER PAD		1		40169390		

Model No. LC1230 METAL CUTTING SAW 305MM

Item	Parts No.	Description	I/C	QTY	N/O	Opt. 1	Opt. 2	NOTE
086	421670-6	CUSHION		1		40169390		
087	257222-5	RING 8		1		73182990		
088	253731-2	FLAT WASHER 8		2		84679900		
089	268040-6	PIN 16		1		73182990		
090	344118-0	VICE PLATE		1		73182990		
091-1	346633-0	LINK PLATE		1		73182990		
092-1	267236-6	FLAT WASHER 8		2				
093-1	265089-7	+ PAN HEAD SCREW M6		2		73181500		
094	912212-2	COUNTERSUNK HEAD SCREW M5X12		3		73181500		
095	344119-8	GUIDE PLATE		1		73182990		
096	344739-8	UNDER PLATE		1		73182990		
097	266026-4	TAPPING SCREW BIND CT 4X12		3		73181500		
098	286212-1	CAP 20		5		40169390		
099	151623-8	BASE COMPLETE		1	*			
C10	817838-4	CAUTION LABEL		1	*			
099-1	151623-8	BASE COMPLETE	O	1				
C10	817838-4	CAUTION LABEL		1				
100	286236-7	CAP 16		1		40169390		
101	961014-3	STOP RING E-8		2		73182990		
102	323883-4	LEVER ROD 10		1		73182990		
103	253024-7	FLAT WASHER 10		1		84679900		
104	252161-4	HEX. NUT M10-17		1		73181500		
105	151622-0	LEVER HOLDER COMPLETE		1		84679900		
106	941152-7	FLAT WASHER 6		1		73182200		
107-1	265381-1	HEX. BOLT M6X16		1		73181500		
108	951063-8	SPRING PIN 3-16		1		73182990		
109	322679-0	VICE SCREW		1		73181500		
110	322209-7	VICE NUT		1		73181600		
111	911451-1	PAN HEAD SCREW M8X30		2		73181500		
112	311949-2	SCREW GUIDE		1		84679900		
113-1	271072-4	HANDLE 100		1		84679900		
114	951166-8	SPRING PIN 5-24		1		73182990		
115	257157-0	RING 8		1		73182990		
A01	782210-8	SOCKET WRENCH 17		1		82041120		
A02	192219-6	SAFETY GOGGLE		1		90049090		
A03-1	A-87242	T.C.T.SAW BLADE 305X60TX25.4		1		82029990		
A04	411478-6	SWITCH BUTTON		2		39269099		