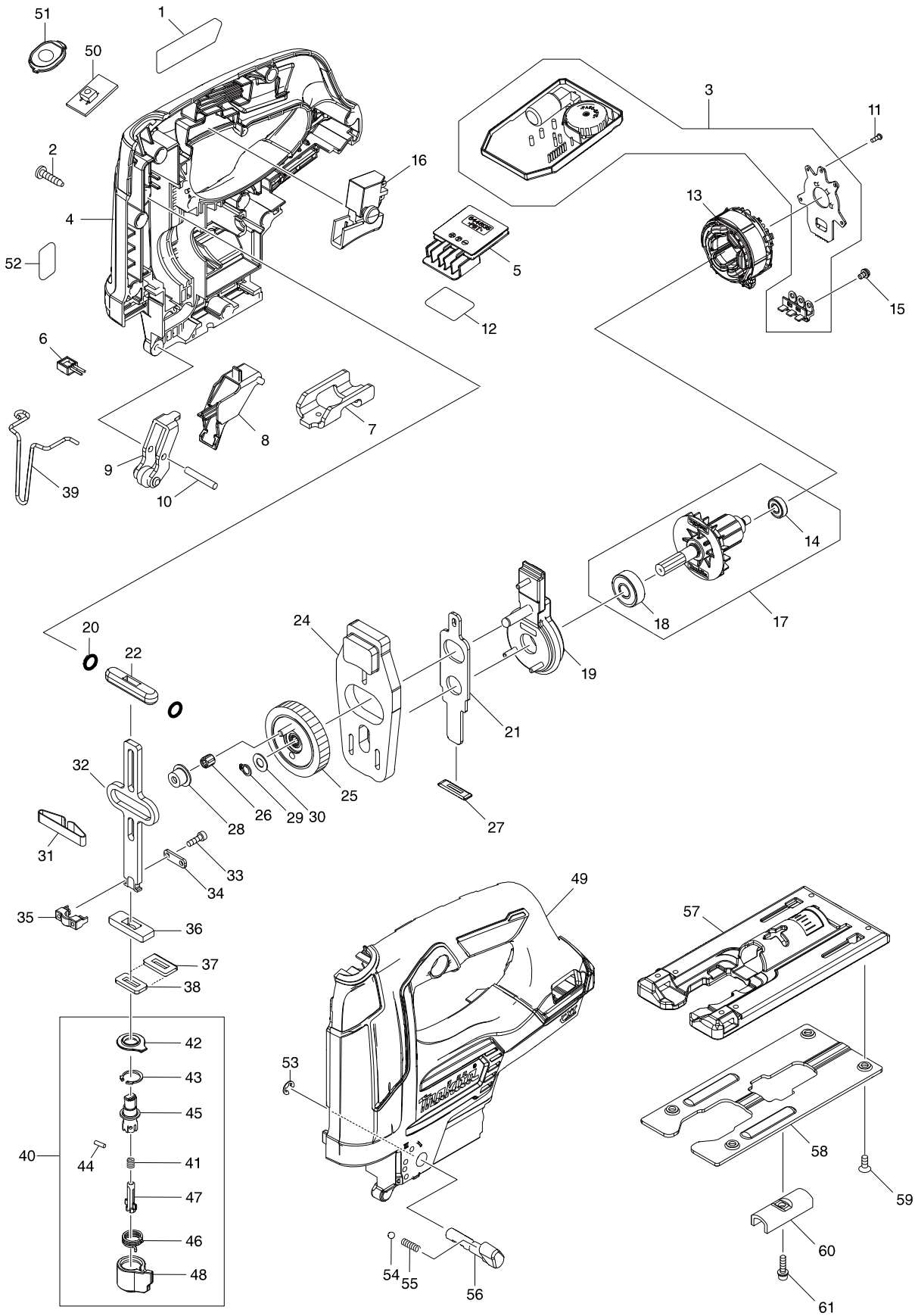


Model No. JV103D CORDLESS JIG SAW



Model No. JV103D CORDLESS JIG SAW

Item	Parts No.	Description	I/C	QTY	N/O	Opt. 1	Opt. 2	NOTE
001	853P71-0	JV103D NAME PLATE		1				
002	266326-2	TAPPING SCREW 4X18		10		73181500		
003	620711-7	CONTROLLER		1	*	84679900		
003-1	620907-0	CONTROLLER	<	1				
004	183H18-5	HOUSING SET		1		84679900		
D10		INC. 49						
005	644813-5	TERMINAL		1		73182990		
006	620713-3	LED CIRCUIT		1		94051090		
007	347251-7	HOLDER		1		82078000		
008	457866-3	RETAINER GUIDE		1		73182990		
009	144629-3	RETAINER COMPLETE		1		73182990		
010	256206-0	PIN 4		1		73182990		
011	266490-9	TAPPING SCREW PT 2X6		3		73181500		
012	853P79-4	JV103D SERIAL NO. LABEL		1				
013	629281-3	STATOR		1		85030090		
014	211157-4	BALL BEARING 695ZZ		1		84821090		
015	652069-6	FLAT HEAD SCREW M3X6		3		73181500		
016	650251-1	SWITCH SGEL106C-4		1		85366990		
017	519452-9	ROTOR ASSY		1		84679900		
D10		INC. 14,18						
018	210005-4	BALL BEARING 608DDW		1		84821090		
019	144820-3	BEARING CASE COMPLETE		1		84833000		
020	213038-8	O RING 5		2		40169320		
021	347249-4	PUSH PLATE		1		73182990		
022	313082-6	SLIDER GUIDE		1		84679900		
024	310812-6	BALANCE PLATE		1		73182990		
025	144630-8	GEAR COMPLETE		1		84834000		
026	212965-6	NEEDLE CAGE 407		1		73182990		
027	416703-0	DUST SEAL		1		40169390		
028	257804-3	SHOULDER SLEEVE 7		1		73182990		
029	961002-0	RETAINING RING S-6		1		73182990		
030	253715-0	FLAT WASHER 6		1		84679900		
031	232183-0	LEAF SPRING		1		73209090		
032	347250-9	SLIDER		1		84679900		
033	266177-3	HEX. SOCKET HEAD BOLT M3X10		2		73181500		
034	347247-8	PLATE		1		73182990		
035	310811-8	BLADE CLAMP		1		73182990		
036	313086-8	SLIDER SUPPORT		1		84679900		
037	344686-3	SEAL PLATE		1		73182990		
038	423307-1	POLY URETANE SPONGE SEAL		1		39269099		
039	323748-0	SAFETY WIRE		1		73182990		
040	135941-2	BLADE GUIDE ASS'Y		1		84679900		
D10		INC. 41-48						
041	233314-4	COMPRESSION SPRING 4		1		73209090		
042	424437-1	DUST COVER		1		84679900		
043	962063-3	RETAINING RING R-13		1		73182990		
044	256528-8	PIN 2		1		73182990		
045	310810-0	BLADE GUIDE		1		84679900		

Item	Parts No.	Description	I/C	QTY	N/O	Opt. 1	Opt. 2	NOTE
046	233591-8	TORSION SPRING 10		1		73209090		
047	310485-5	LOCK PIN		1		73182990		
048	452850-3	INSERT HOLDER		1		82078000		
049	183H18-5	HOUSING SET		1		84679900		
D10		INC. 4						
050	620715-9	SWITCH UNIT		1		85366990		
051	142303-7	SWITCH PLATE COMPLETE		1		39269099		
053	961011-9	STOP RING E-4		1		73182990		
054	216008-6	STEEL BALL 4		1		73182990		
055	233151-6	COMPRESSION SPRING 4		1		73209090		
056	271441-9	LEVER 19		1		73182990		
057	319620-2	BASE		1		84679900		
058	345441-6	BASE PLATE		1		73182990		
059	912107-9	COUNTERSUNK HEAD SCREW M4X8		4		73181500		
060	344685-5	CLAMP PLATE		1		73182990		
061	922128-3	HEX. SOCKET HEAD BOLT M4X16		1		73181500		
A01	A-85628	JIGSAW BLADE NO.B10		1		82029990		
A02	783201-2	HEX. WRENCH 3		1		82041120		
A03	457867-1	COVER PLATE		1				
A04B	821549-5	CONNECTOR PLASTIC CASE (TYPE1)		1		85369090		
C10	453974-8	LATCH		4				
A05B	839186-1	INNER TRAY		1				
A06B	813P28-3	JV103DWYJ INDICATION LABEL		1				
A07B	813P34-8	JV103DWYJ PLASTIC CASE LABEL		2				
A08B	198007-9	BATTERY BL1016 SET		2		85076000		
A09B	***DC10WD	DC10WD BATTERY CHARGER		1				
A10B	456128-6	BATTERY COVER		1				