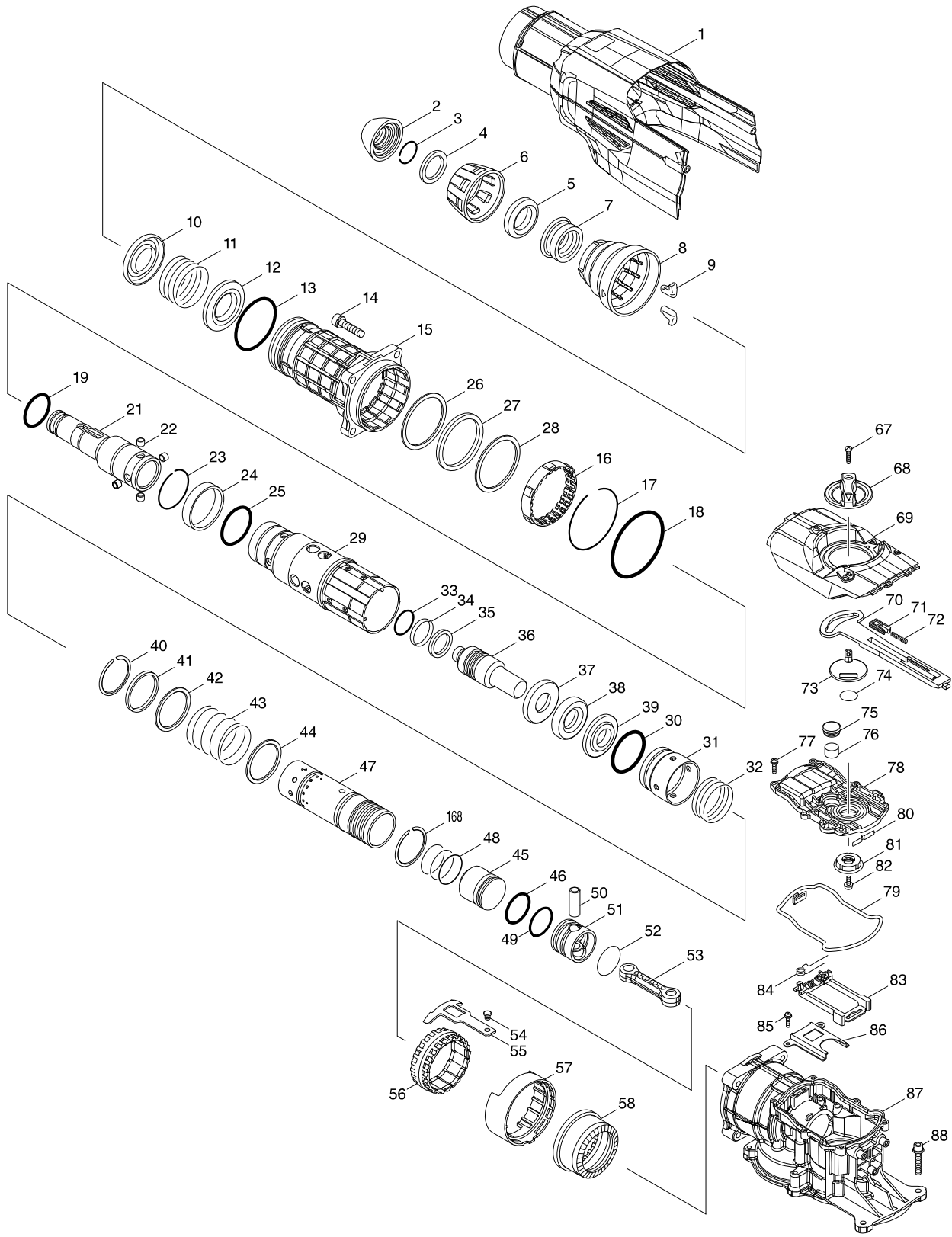
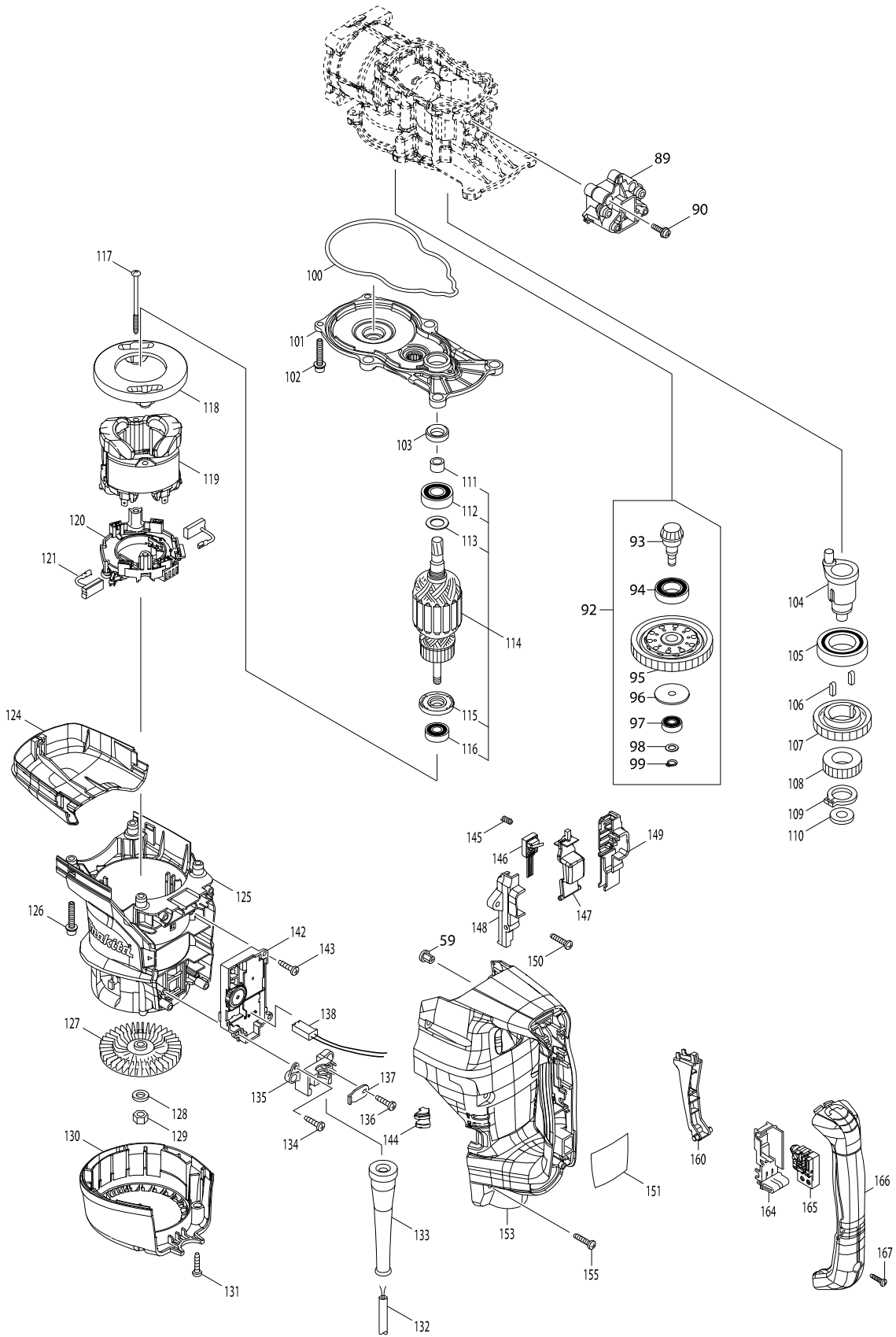


Model No. HR5202C ROTARY HAMMER 52MM



Model No. HR5202C ROTARY HAMMER 52MM



Model No. HR5202C ROTARY HAMMER 52MM

Item	Parts No.	Description	I/C	QTY	N/O	Opt. 1	Opt. 2	NOTE
001	142412-2	HOUSING COVER B COMPLETE		1				
C10	810100-6	CAUTION LABEL		1				
002	286292-7	TOOL HOLDER CAP		1	39269099			
003	233948-3	RING SPRING 25		1	73209090			
004	257367-9	RING 28		1	73182990			
005	262172-1	RUBBER RING 29		1	40169390			
006	454767-6	CHUCK COVER		1	73262090			
007	324752-2	CHUCK RING		1	73182990			
008	454768-4	RELEASE COVER		1	73182990			
009	310178-4	TOOL RETAINER		2	84679900			
010	346751-4	SPRING GUIDE		1	73209090			
011	234317-1	COMPRESSION SPRING 49		1	73209090			
012	346751-4	SPRING GUIDE		1	73209090			
014	922456-6	HEX. SOCKET HEAD BOLT M8X35		4	73181500			
015	142408-3	BARREL COMPLETE		1				
C10	213663-5	O RING 55		1	40169320			
C20	213778-8	OIL SEAL 42		1				
C30	214603-6	PLANE BEARING 49		1	84821090			
C40	259056-2	RING SPRING 54		1	73209090			
016	454769-2	LOCK SLEEVE		1	73182990			
017	259057-0	RING SPRING 74		1	73209090			
018	213766-5	O-RING 78		1	40169320			
019	213789-3	O-RING 38		1	40169320			
021	326361-3	TOOL HOLDER A		1	82078000			
022	268308-0	PIN 9		4	73182990			
023	231989-3	RING SPRING 46		1	73209090			
024	257353-0	RING 49		1	73182990			
025	213779-6	O-RING 45		1	40169320			
026	267477-4	FLAT WASHER 60		1	84679900			
027	262171-3	RUBBER RING 60		1				
028	267477-4	FLAT WASHER 60		1	84679900			
029	326362-1	TOOL HOLDER B		1				
030	213783-5	O-RING 48		1	40169320			
031	454761-8	SLIDE SLEEVE		1				
032	234318-9	COMPRESSION SPRING 45		1				
033	213811-6	O-RING 26.5		1	* 40169320			
033-1	213811-6	O-RING 26.5	S	3	40169320			
034	213780-1	FLUORIDE RING 32.5		1	* 40169390			
034-1	213780-1	FLUORIDE RING 32.5	S	3	40169390			
035	213776-2	X-RING 26		1	* 40169390			
036	326374-4	IMPACT BOLT		1	*			
036-1	327245-8	IMPACT BOLT	S	1	73181500			
037	257354-8	RING 23		1	84679900			
038	262173-9	RUBBER RING 24		1				
039	267856-6	SHOULDER WASHER 23		1	84679900			
040	257994-2	RETAINING RING(EXT)WR-44		1				
041	257355-6	RING 44		1	84679900			
042	267478-2	FLAT WASHER 44		1				

Item	Parts No.	Description	I/C	QTY	N/O	Opt. 1	Opt. 2	NOTE
043	234319-7	COMPRESSION SPRING 46		1				
044	267478-2	FLAT WASHER 44		1				
045	326377-8	STRIKER		1		84679900		
046	213781-9	O-RING 33		1		40169320		
047	332093-2	CYLINDER 40		1				
048	213460-9	O RING 35		3		40169320		
049	213782-7	O-RING 30		1		40169320		
050	257820-5	SLEEVE 9		1				
051	319097-1	PISTON		1		84679900		
052	213460-9	O RING 35		1		40169320		
053	454765-0	CONNECTING ROD		1		73182990		
054	256548-2	FLAT FILLISTER HEAD PIN 6		1		73182400		
055	346749-1	LINK PLATE		1		73182990		
056	313272-1	DRIVING SLEEVE		1		73182990		
057	454779-9	GUIDE RING		1		73182990		
058	227625-7	SPIRAL BEVEL GEAR 33		1		84834000		
059	286255-3	CAP 13		2		40169990		
067	265995-6	TAPPING SCREW 4X18		1		73181500		
068	454326-6	CHANGE LEVER		1		73182990		
069	319082-4	CRANK CAP COVER		1		84679900		
070	454770-7	CONTROL PLATE		1				
071	454771-5	SLIDE PLATE		1				
072	234284-0	COMPRESSION SPRING 4		1		73209090		
073	454345-2	CRANK LEVER		1		39269099		
074	213262-3	O RING 18		1		40169320		
075	424607-2	FILTER CAP		1				
076	443129-3	FILTER		1		84219900		
077	911128-8	P.H.SCREW M4X16 WITH WR		6		73181500		
078	454764-2	CRANK CAP		1				
079	424608-0	SEAL RING B		1				
080	232280-2	LEAF SPRING		1		73209090		
081	454766-8	LINK LEVER		1				
082	911511-9	PAN HEAD SCREW M4X10		1		73181500		
083	454778-1	LINK GUIDE		1				
084	233611-8	TORSION SPRING 7		1				
085	911128-8	P.H.SCREW M4X16 WITH WR		2		73181500		
086	346748-3	GUIDE RAIL		1				
087	142407-5	CRANK HOUSING B COMPLETE		1				
088	922359-4	H.S.H.BOLT M6X35 WITH WG		2				
089	454784-6	BASE B		1				
090	911233-1	PAN HEAD SCREW M5X20		3		73181500		
092	126476-4	TORQUE LIMITER ASSEMBLY		1		84679900		
D10		INC. 93-99						
093	227628-1	SPIRAL BEVEL GEAR 10		1		84834000		
094	211323-3	BALL BEARING 6904LLU		1		84821090		
095	142410-6	TORQUE LIMITER COMPLETE		1		84679900		
096	324727-1	SHOULDER WASHER 8		1		73182200		
097	210005-4	BALL BEARING 608DDW		1		84821090		

Item	Parts No.	Description	I/C	QTY	N/O	Opt. 1	Opt. 2	NOTE
098	253215-0	FLAT WASHER 8		1		84679900		
099	961004-6	RETAINING RING S-8		1		73182990		
100	424609-8	SEAL RING A		1				
101	142409-1	GEAR HOUSING COMPLETE		1				
102	922359-4	H.S.H.BOLT M6X35 WITH WG		2				
103	213231-4	OIL SEAL 15		1		40169320		
104	326376-0	CRANK SHAFT		1	*			
104-1	327142-8	CRANK SHAFT	<	1		84679900		
105	211418-2	BALL BEARING 6006LLU		1		84821090		
106	254229-2	KEY 5		2		84679900		
107	227788-9	HELICAL GEAR 46		1		84679900		
108	227336-4	SPUR GEAR 26		1		84679900		
109	961102-6	RETAINING RING S-22		1		73182990		
110	253843-1	FLAT WASHER 12		1		84679900		
111	331596-3	SLEEVE 12		1		73182990		
112	211238-4	BALL BEARING 6202LLU		1		84821090		
113	267215-4	FLAT WASHER 15		1		73182200		
114	517898-3	ARMATURE ASS'Y 220-240V		1		85030090		
D10		INC. 111-113,115,116						
115	681642-5	INSULATION WASHER		1		73182200		
116	210059-1	BALL BEARING 6000DDW		1		84821090		
117	266568-8	TAPPING SCREW 5X80		2		73181500		
118	454772-3	BAFFLE PLATE		1				
119	636303-2	FIELD 220-240V		1		85030090		
120	632B59-7	BRUSH HOLDER UNIT		1		84679900		
121	195844-2	CARBON BRUSH CB-175		1		85452000		
124	454763-4	GEAR HOUSING COVER		1				
125	454757-9	MOTOR HOUSING		1				
126	922359-4	H.S.H.BOLT M6X35 WITH WG		2				
127	240016-5	FAN 90		1		84145190		
128	253165-9	FLAT WASHER 8		1		84679900		
129	252178-7	HEX. NUT M8-12		1		73181500		
130	454762-6	REAR COVER		1				
131	266041-8	TAPPING SCREW 5X25		2		73181500		
132	695137-2	POWER SUPPLY CORD 1.5-2-5.0		1		85442090		
133	682560-0	CORD GUARD 10		1		73182990		
134	265995-6	TAPPING SCREW 4X18		1		73181500		
135	419024-9	CORD CLAMP BASE		1		84679900		
136	265995-6	TAPPING SCREW 4X18		1		73181500		
137	687169-3	STRAIN RELIEF		1		73182990		
138	632C15-3	LEAD UNIT		1				
142	620251-5	CONTROLLER		1		84679900		
143	265995-6	TAPPING SCREW 4X18		1		73181500		
144	454346-0	LENS		1		90021100		
145	234281-6	COMPRESSION SPRING 6		1		73209090		
146	632A83-4	SWITCH UNIT		1		85369090		
147	454336-3	SWITCH LEVER C		1		39269099		
148	187890-9	SWITCH CASE SET		1				

