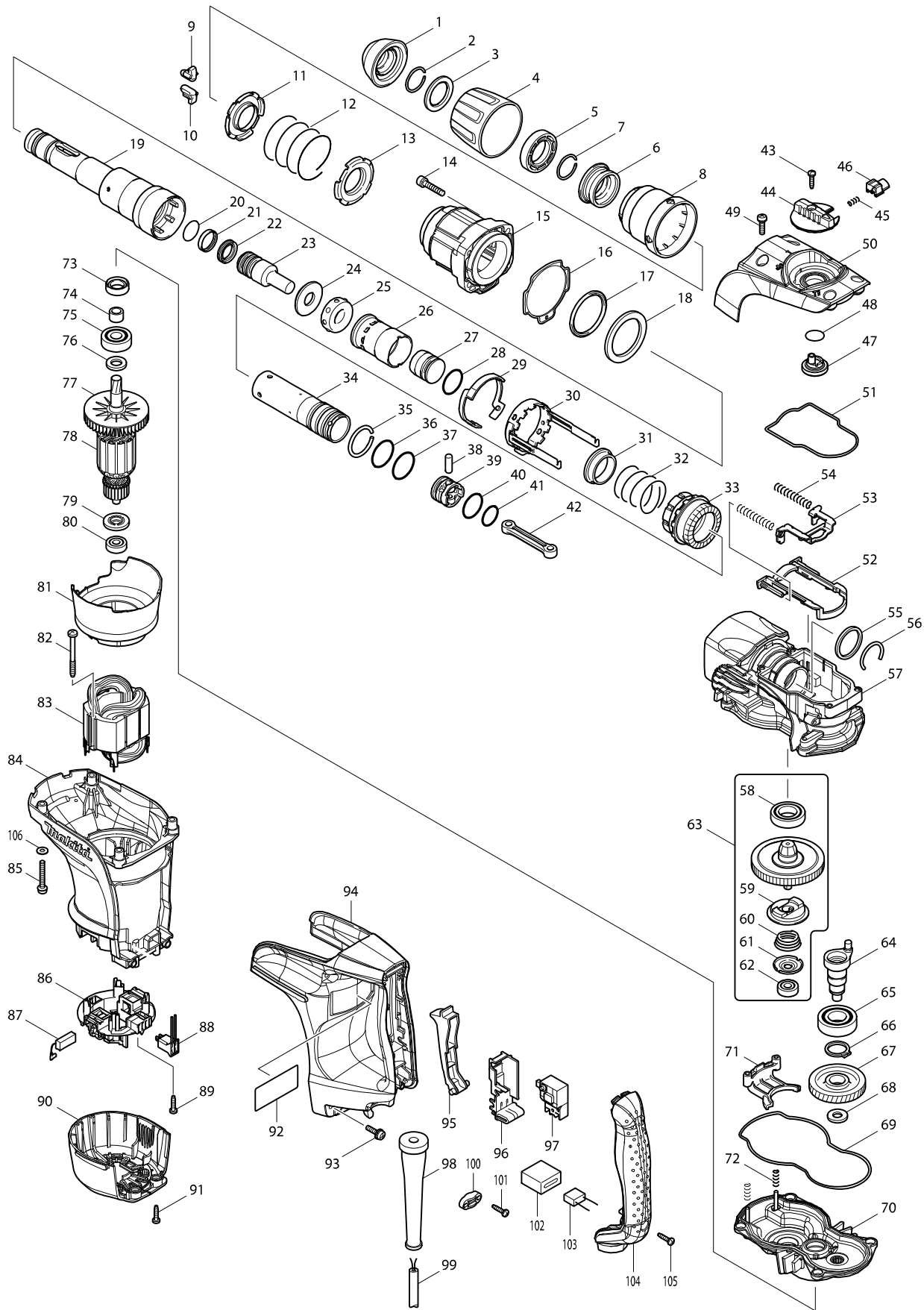


Model No. HR4002 ROTARY HAMMER 40MM



Model No. HR4002 ROTARY HAMMER 40MM

Item	Parts No.	Description	I/C	QTY	N/O	Opt. 1	Opt. 2	NOTE
001	286272-3	TOOL HOLDER CAP		1		40169390		
002	231984-3	RING SPRING 25		1		73209090		
003	267272-2	FLAT WASHER 28		1		73182200		
004	419015-0	CHUCK COVER		1		84679900		
005	419002-9	SPACER		1		84679900		
006	324548-1	CHUCK RING		1		73182990		
007	231984-3	RING SPRING 25		1		73209090		
008	419016-8	RELEASE COVER		1		84679900		
009	310161-1	TOOL RETAINER		1		84679900		
010	310161-1	TOOL RETAINER		1		84679900		
011	345579-7	SPRING GUIDE		1		73182990		
012	233431-0	COMPRESSION SPRING 48		1		73209090		
013	345579-7	SPRING GUIDE		1		73182990		
014	922351-0	HEX. SOCKET HEAD BOLT M6X30		4		73181500		
015-1	158568-1	BARREL COMPLETE		1	*	84679900		
C10	213490-0	OIL SEAL 32		1	*	40169320		
C20	233963-7	RING SPRING 45		1	*	73209090		
015-2	158568-1	BARREL COMPLETE	<	1	*	84679900		
C10	213490-0	OIL SEAL 32		1	*	40169320		
C20	233963-7	RING SPRING 45		1	*	73209090		
015-3	141993-3	BARREL COMPLETE	<	1				
C10	213490-0	OIL SEAL 32		1		40169320		
C20	233963-7	RING SPRING 45		1		73209090		
016	424021-2	SEAL SHEET		1	*	40169390		
016-1	424565-2	SEAL SHEET	<	1				
017	262116-1	URETHAN RING 45		1		73182990		
018	267336-2	FLAT WASHER 45		1		73182200		
019	324542-3	TOOL HOLDER		1		82078000		
020	213317-4	O RING 20		1		40169320		
021	213392-0	FLUORIDE RING 25		1		40169320		
022	213281-9	X-RING 18		1		40169320		
023	324569-3	IMPACT BOLT		1		73181500		
024	324573-2	RING 17		1		73182990		
025	421901-3	RUBBER RING 17		1		40169390		
026	419003-7	SLIDE SLEEVE		1		84679900		
027	324571-6	STRIKER		1		73182990		
028	213962-5	O RING 22		1		40169320		
029	419760-7	LOCK SLEEVE GUIDE		1		84679900		
030	165446-8	LOCK SLEEVE		1	*	84679900		
030-1	165633-9	LOCK SLEEVE	<	1		84679900		
031	331709-6	RING 33		1		73182990		
032	233448-3	COMPRESSION SPRING 37		1		73209090		
033	227509-9	STRAIGHT BEVEL GEAR 25		1		84679900		
034	324570-8	CYLINDER 28.5		1	*	84679900		
034-1	326221-9	CYLINDER 28.5	<	1				
035	233935-2	RING SPRING 32		1		73209090		
036	213406-5	O RING 30		1		40169320		
037	213406-5	O RING 30		1		40169320		

Item	Parts No.	Description	I/C	QTY	N/O	Opt. 1	Opt. 2	NOTE
038	256197-5	PIN 7		1		73182990		
039	419004-5	PISTON		1		84679900		
040	213962-5	O RING 22		1		40169320		
041	213379-2	O RING 21		1		40169320		
042	419875-0	CONECTING ROD		1	*	84679900		
042-1	419875-0	CONECTING ROD	S	1		84679900		
043	266326-2	TAPPING SCREW 4X18		1		73181500		
044-1	450428-6	CHANGE LEVER		1		39269099		
045	233436-0	COMPRESSION SPRING 3		1		73209090		
046	419873-4	LOCK BUTTON		1		84679900		
047-1	450427-8	LINK LEVER		1		84679900		
048	213265-7	O RING 17		1	*	40169320		
048-1	213278-8	O RING 17	<	1		40169320		
049	911231-5	PAN HEAD SCREW M5X20		4		73181500		
050-1	168456-4	CRANK CAP COVER COMPLETE		1		84679900		
C10	419919-6	CRANK CAP COVER		1		84679900		
051-1	424084-8	SEAL RING		1	*	40169390		
051-2	424566-0	SEAL RING	<	1		40169390		
052	419874-2	LINK PLATE GUIDE		1		84679900		
053	345582-8	LINK PLATE		1		73182990		
054	233432-8	COMPRESSION SPRING 7		2		73209090		
055	257268-1	RING 33		1		73182990		
056	233937-8	RING SPRING 31		1		73209090		
057	158231-6	CRANK HOUSING COMPLETE		1		84679900		
058	211323-3	BALL BEARING 6904LLU		1		84821090		
059	324549-9	DRIVING FLANGE		1		73182990		
060	233936-0	CONICAL COMPRESSIONSPRING19-2		1		73209090		
061	345581-0	CUP WASHER 8		1		73182200		
062	210005-4	BALL BEARING 608DDW		1		84821090		
063	135086-6	TORQUE LIMITER ASS'Y		1	*	84679900		
D10		INC. 58-62			*			
063-1	135508-6	TORQUE LIMITER ASS'Y	<	1		84679900		
C10	267456-2	THIN WASHER 38		1				
D10		INC. 58-62						
064	324550-4	CRANK SHAFT		1		84831099		
065	211332-2	BALL BEARING 6004LLU		1		84821090		
066	961060-6	RETAINING RING S-20		1		73182990		
067	226648-2	HELICAL GEAR 46		1		84679900		
068	253180-3	FLAT WASHER 10		1		84679900		
069	424019-9	SEAL RING		1	*	40169390		
069-1	424551-3	SEAL RING	<	1				
070	158232-4	GEAR HOUSING COMPLETE		1	*	84679900		
070-1	158232-4	GEAR HOUSING COMPLETE	<	1		84679900		
071	419018-4	CHANGE PLATE		1		84679900		
072	233433-6	COMPRESSION SPRING 5		2		73209090		
073	213231-4	OIL SEAL 15		1		40169320		
074	331596-3	SLEEVE 12		1		73182990		
075	211137-0	BALL BEARING 6201LLU		1		84821090		

Item	Parts No.	Description	I/C	QTY	N/O	Opt. 1	Opt. 2	NOTE
076	253084-9	FLAT WASHER 12		1		84679900		
077	241863-7	FAN 70		1		84145190		
078	513699-7	ARMATURE ASS'Y 240V		1		85030090		
D10		INC. 74-77,79,80						
079	681644-1	INSULATION WASHER		1		73182200		
080	210005-4	BALL BEARING 608DDW		1		84821090		
081	419870-0	BAFFLE PLATE		1		84679900		
082	266418-7	TAPPING SCREW 5X55		2		73181500		
083	625764-1	FIELD 240V		1		85030090		
084	419866-1	MOTOR HOUSING		1		84679900		
085	922256-4	HEX. SOCKET HEAD BOLT M5X35		4		73181500		
086	638393-1	BRUSH HOLDER UNIT		1		82078000		
C10	643816-6	BRUSH HOLDER		2		82078000		
C20	266007-8	TAPPING SCREW BIND PT 3X10		4		73181500		
087	194160-9	CARBON BRUSH CB-350		1		85452000		
088	638508-0	LEAD UNIT		1		84679900		
089	266326-2	TAPPING SCREW 4X18		4		73181500		
090	419867-9	REAR COVER		1		84679900		
091	266326-2	TAPPING SCREW 4X18		2		73181500		
092	863632-2	HR4002 NAME PLATE		1				
093	911233-1	PAN HEAD SCREW M5X20		4		73181500		
094	419868-7	HANDLE		1		84679900		
095	419025-7	SWITCH LEVER		1		39269099		
096	154626-1	SWITCH HOLDER COMPLETE		1		84679900		
097	651922-3	SWITCH TG71B		1	*	85366990		
097-1	650677-7	SWITCH C3PA-1112	<	1	*	85366990		
097-2	651922-3	SWITCH TG71B	<	1		85366990		
098	682560-0	CORD GUARD 10		1		73182990		
099	695123-3	POWER SUPPLY CORD 1.5-2-4.0		1		85442090		
100	687140-7	STRAIN RELIEF		1		84679900		
101	266326-2	TAPPING SCREW 4X18		2		73181500		
104	419869-5	HANDLE COVER		1		84679900		
105	266326-2	TAPPING SCREW 4X18		1		73181500		
106	941101-4	FLAT WASHER 5		4		73182200		
A01	158131-0	GRIP 36 COMPLETE		1		40169390		
A02	181573-3	GREASE VESSEL 93G		1	*	27129090		
C10	817105-7	CAUTION LABEL		1	*			
A02-1	194683-7	GREASE VESSEL SET	O	1		84679900		
A03	265701-9	THUMB SCREW M6X14		1		73181500		
A04	266163-4	CUP SQUARE NECK BOLT M8X80		1		73181500		
A05	321248-4	DEPTH GAUGE		1				
A06	344491-8	GRIP SPRING 68		1				
A07	344492-6	PLATE		1		73182990		
A08	416299-1	SIDE GRIP BASE 68		1				
A09	931302-2	HEX. NUT M6		1		73181500		
A10	824798-3	PLASTIC CARRYING CASE		1				
C10	163467-4	LATCH		2		73182990		
A11	805512-6	HR4002 MODEL NO. LABEL		1				