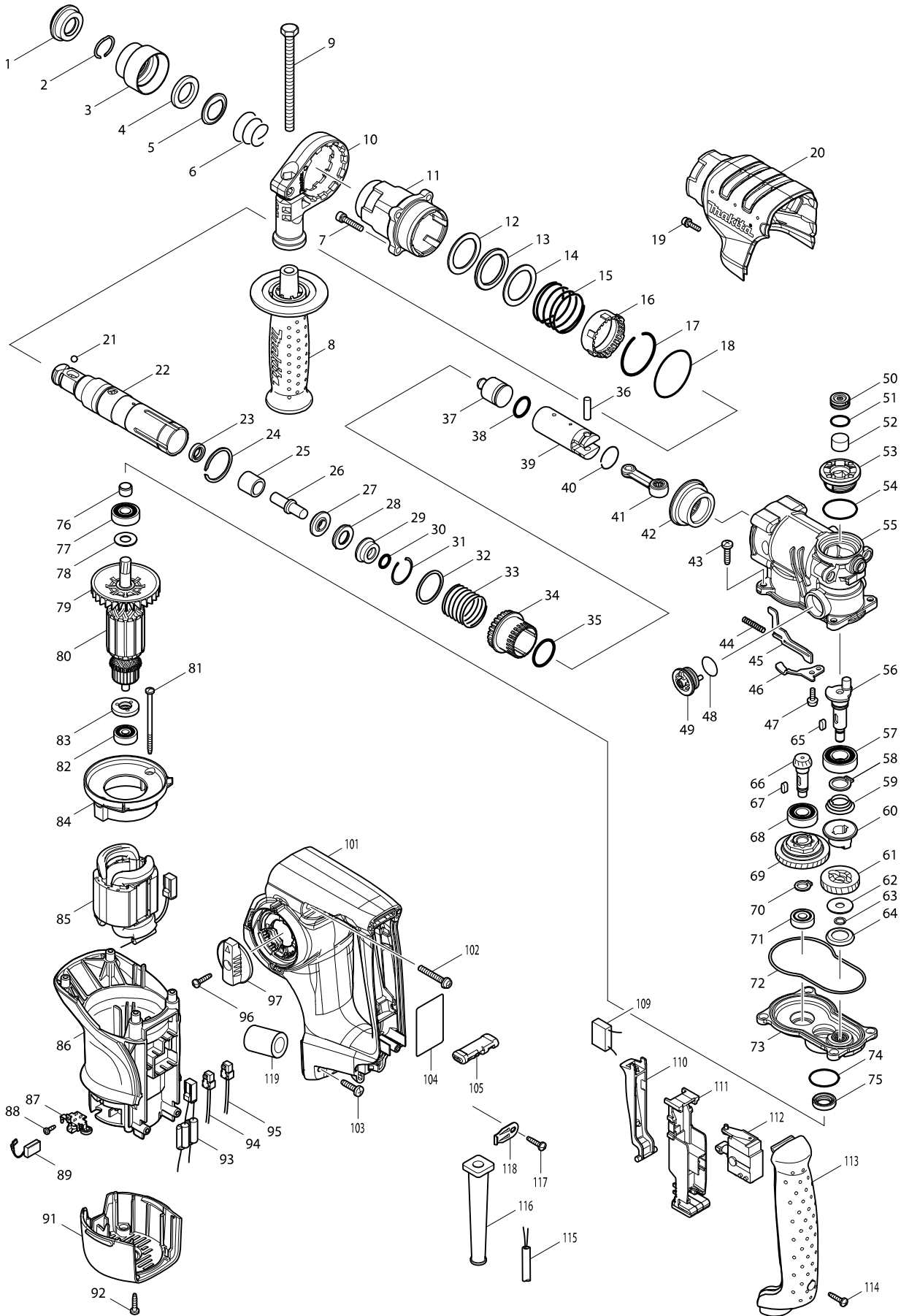


Model No. HR2810 ROTARY HAMMER 28MM



Model No. HR2810 ROTARY HAMMER 28MM

Item	Parts No.	Description	I/C	QTY	N/O	Opt. 1	Opt. 2	NOTE
001	286263-4	CAP 35		1		40169390		
002	233940-9	RING SPRING 19		1		73209090		
003	417629-9	CHUCK COVER		1		84679900		
004	257241-1	RING 21		1		73182990		
005	345187-4	GUIDE WASHER		1		73182200		
006	233916-6	CONICAL COMP. SPRING 21-29		1		73209090		
007	922241-7	HEX. SOCKET HEAD BOLT M5X25		4		73181500		
008-1	158057-6	GRIP 36 COMPLETE		1		84679900		
C10	931402-8	HEX. NUT M8		1		73181500		
009	921919-9	HEX. BOLT M8X110		1		73181500		
010	419975-6	GRIP BASE 20		1		84679900		
011	158288-7	BARREL COMPLETE		1		84679900		
C10	212403-8	NEEDLE BEARING 3012		1		84821090		
C20	213965-9	OIL SEAL 25		1	*	40169320		
C21	213345-9	OIL SEAL 25	O	1		40169320		
012	267354-0	FLAT WASHER 31		1		73182200		
013	262133-1	URETHANE RING 31		1		73182990		
014	267354-0	FLAT WASHER 31		1		73182200		
015	234020-4	COMPRESSION SPRING 37		1		73209090		
016	419986-1	LOCK SLEEVE		1		84679900		
017	233952-2	RING SPRING 41		1		73209090		
018	213620-3	O RING 46		1		40169320		
019	922128-3	HEX. SOCKET HEAD BOLT M4X16		1		73181500		
020	419984-5	CRANK HOUSING COVER		1		84679900		
021	216022-2	STEEL BALL 7.0		1		73182990		
022	158285-3	TOOL HOLDER COMPLETE		1	*	84679900		
022-1	123191-1	TOOL HOLDER ASSEMBLY	<	1		84679900		
C10	158285-3	TOOL HOLDER COMPLETE		1		84679900		
D10		INC. 23-31						
023	213076-0	OIL SEAL 9		1	*	40169320		
023-1	213344-1	OIL SEAL 9	O	1		40169320		
024	961140-8	RETAINING RING		1		73182990		
025	331769-8	SLEEVE 9		1		73182990		
026	324669-9	IMPACT BOLT		1		73181500		
027	324402-9	RING 10		1		73182990		
028	421955-0	CUSHION RING 13		1		40169390		
029	324216-6	O RING CASE		1		73182990		
030	213073-6	O RING 9		1		40169320		
031	233917-4	RING SPRING 28		1		73209090		
032	267105-1	FLAT WASHER 29		1		73182200		
033	234021-2	COMPRESSION SPRING 30		1		73209090		
034	331770-3	DRIVING SLEEVE		1		73182990		
035	213435-8	O RING 26		1		40169320		
036	256099-5	PIN 6		1		73182990		
037	324733-6	STRIKER		1		73182990		
038	213227-5	O RING 16		1		40169320		
039	331776-1	PISTON CYLINDER		1		84679900		
040	233954-8	RING SPRING 21		1		73209090		

Item	Parts No.	Description	I/C	QTY	N/O	Opt. 1	Opt. 2	NOTE
041	158282-9	CONNECTING ROD COMPLETE		1		84679900		
C10	212043-2	NEEDLE BEARING 810		1		84821090		
042	227532-4	SPIRAL BEVEL GEAR 31		1		84679900		
043	266420-0	TAPPING SCREW 5X20		4		73181500		
044	234019-9	COMPRESSION SPRING 4		1		73209090		
045	345814-3	LINK PLATE		1		73182990		
046	345815-1	GUIDE PLATE		1		73182990		
047	911118-1	PAN HEAD SCREW M4X12		1		73181500		
048	213262-3	O RING 18		1		40169320		
049	162256-4	LINK LEVER COMPLETE		1		84679900		
050	419988-7	FILTER CAP		1		84679900		
051	213218-6	O RING 16		1		40169320		
052	443129-3	FILTER		1		84219900		
053	419987-9	CRANK CAP		1		84679900		
054	213406-5	O RING 30		1		40169320		
055	158289-5	CRANK HOUSING COMPLETE		1	*	84679900		
055-1	158289-5	CRANK HOUSING COMPLETE	O	1		84679900		
056	324793-8	CRANK SHAFT		1		84831099		
057	211232-6	BALL BEARING 6002LLU		1		84821090		
058	961055-9	RETAINING RING S-15		1		73182990		
059	233951-4	C. C. SPRING 16-26		1		73209090		
060	223167-9	CLUTCH		1		84679900		
061	226653-9	HELICAL GEAR 29		1		84834000		
062	267353-2	FLAT WASHER 8		1		73182200		
063	961034-7	RETAINING RING		1		73182990		
064	345818-5	CUP WASHER 16		1		73182200		
065	254239-9	KEY 4		2		84679900		
066	227524-3	SPIRAL BEVEL GEAR 9		1		84679900		
067	254239-9	KEY 4		1		84679900		
068	210105-0	BALL BEARING 6001LLU		1		84821090		
069	125386-2	TORQUE LIMITER ASS'Y		1		84679900		
070	961006-2	RETAINING RING S-10		1		73182990		
071	210024-0	BALL BEARING 608LLU		1		84821090		
072	424028-8	SEAL RING		1		40169390		
073	158287-9	GEAR HOUSING COMPLETE		1		84679900		
074	213445-5	O-RING 26		1		40169320		
075	213133-4	OIL SEAL 12		1	*	40169320		
075-1	213678-2	OIL SEAL 12	O	1		40169330		
076	331775-3	SLEEVE 10		1		73182990		
077	210054-1	BALL BEARING 6000LLU		1		84821090		
078	253171-4	FLAT WASHER 10		1		84679900		
079	240095-3	FAN 64		1		84145190		
080	515294-9	ARMATURE ASS'Y 240V		1		85030090		
D10		INC. 79,82,83						
081	266325-4	TAPPING SCREW 4X70		2		73181500		
082	210023-2	BALL BEARING 627DDW		1		84821090		
083	681656-4	INSULATION WASHER		1		73182200		
084	419989-5	BUFFLE PLATE		1		84679900		

