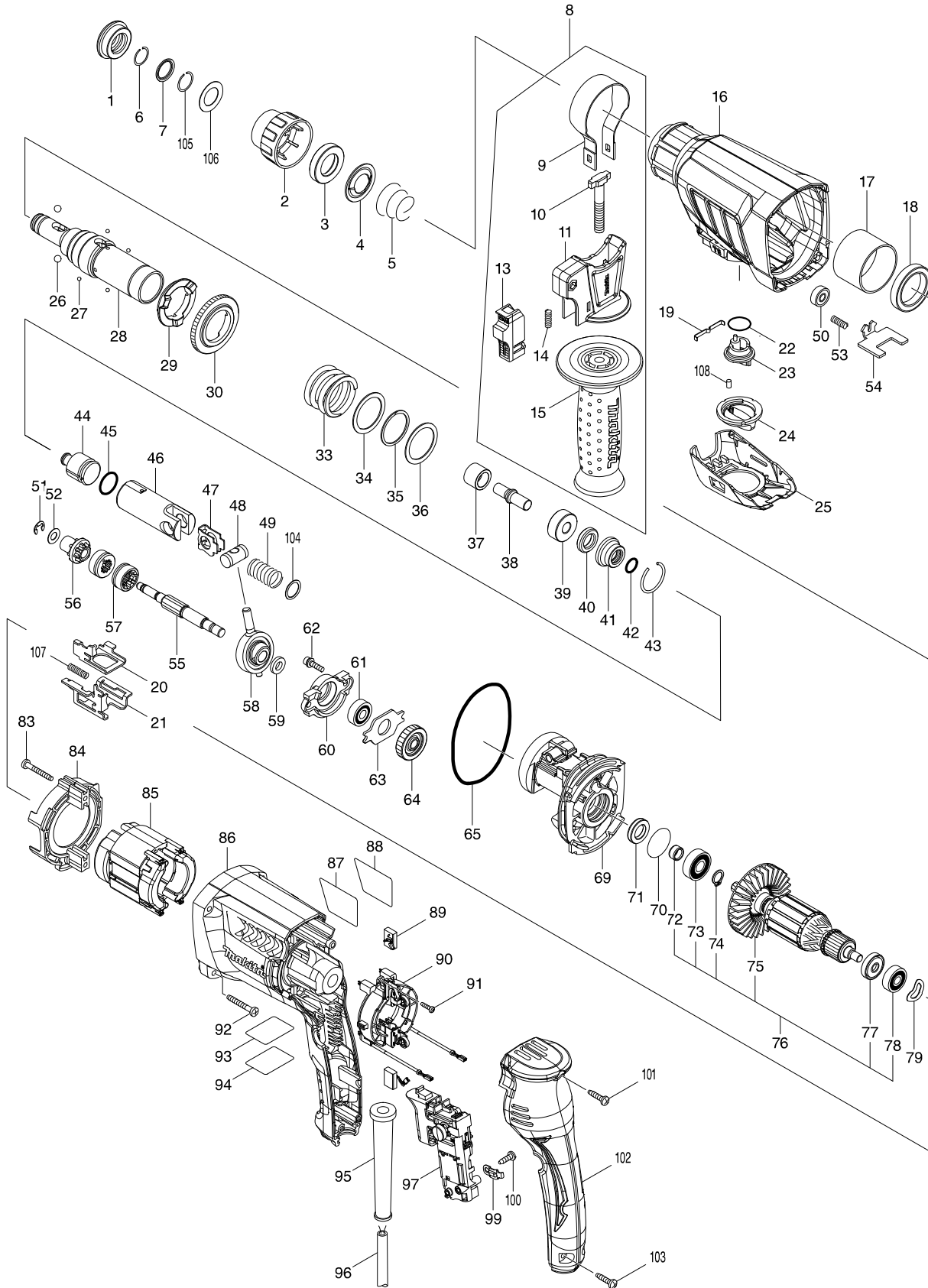


Model No. HR2630 26MM COMBINATION HAMMER



Model No. HR2630 26MM COMBINATION HAMMER

| Item | Parts No. | Description | I/C | QTY | N/O | Opt. 1 | Opt. 2 | NOTE |
|------|-----------|----------------------------|-----|-----|-----|----------|--------|------|
| 001 | 286288-8 | CAP 35 | | 1 | | 40169390 | | |
| 002 | 455393-4 | CHUCK COVER | | 1 | | 84679900 | | |
| 003 | 325813-1 | RING 21 | | 1 | | 73182990 | | |
| 004 | 346177-0 | GUIDE WASHER | | 1 | | 73182200 | | |
| 005 | 233916-6 | CONICAL COMP. SPRING 21-29 | | 1 | | 73209090 | | |
| 006 | 233989-9 | RING SPRING 14 | | 1 | | 73209090 | | |
| 007 | 346834-0 | WASHER 16 | | 1 | | 73182200 | | |
| 008 | 122878-2 | GRIP ASSEMBLY | | 1 | | 84679900 | | |
| D10 | | INC. 9-11,13-15 | | | | | | |
| 009 | 346181-9 | GRIP SPRING 50 | | 1 | | 73209090 | | |
| 010 | 266349-0 | SQUARE BOLT M8X50 | | 1 | | 73181500 | | |
| 011 | 451539-0 | GRIP BASE | | 1 | | 84679900 | | |
| 013 | 141765-6 | LOCK BUTTON COMPLETE | | 1 | | 84679900 | | |
| 014 | 233360-7 | COMPRESSION SPRING 4 | | 1 | | 73209090 | | |
| 015 | 154935-8 | GRIP 36 COMPLETE | | 1 | | 84679900 | | |
| 016 | 142971-6 | GEAR HOUSING COMPLETE | | 1 | | 84679900 | | |
| C10 | 213636-8 | OIL SEAL 25 | | 1 | | 40169320 | | |
| 017 | 331890-3 | CUP SLEEVE | | 1 | | 84679900 | | |
| 018 | 211294-4 | BALL BEARING 6806LLU | | 1 | | 84821090 | | |
| 019 | 232286-0 | LEAF SPRING | | 1 | | 73209090 | | |
| 020 | 346833-2 | CHANGE PLATE B | | 1 | | 73182990 | | |
| 021 | 346832-4 | CHANGE PLATE A | | 1 | | 73182990 | | |
| 022 | 213278-8 | O RING 17 | | 1 | | 40169320 | | |
| 023 | 455392-6 | CHANGE LEVER | | 1 | | 73182990 | | |
| 024 | 455394-2 | CHANGE LEVER CAP | | 1 | | 84679900 | | |
| 025 | 455391-8 | CHANGE LEVER COVER | | 1 | | 73182990 | | |
| 026 | 216022-2 | STEEL BALL 7.0 | | 2 | | 73182990 | | |
| 027 | 216019-1 | STEEL BALL 3 | | 4 | | 73182990 | | |
| 028 | 142973-2 | TOOL HOLDER COMPLETE | | 1 | | 84679900 | | |
| C10 | 213344-1 | OIL SEAL 9 | | 1 | | 40169320 | | |
| 029 | 332139-4 | DRIVING FLANGE | | 1 | | 84679900 | | |
| 030 | 227360-7 | SPUR GEAR 51 | | 1 | | 84679900 | | |
| 033 | 234148-8 | COMPRESSION SPRING 31 | | 1 | | 73209090 | | |
| 034 | 267153-0 | FLAT WASHER 30 | | 1 | | 73182200 | | |
| 035 | 257932-4 | SPIRO LOCK WASHER 30 | | 1 | | 73182990 | | |
| 036 | 267153-0 | FLAT WASHER 30 | | 1 | | 73182200 | | |
| 037 | 325782-6 | SLEEVE 9A | | 1 | | 73182990 | | |
| 038 | 325789-2 | IMPACT BOLT A | | 1 | | 73181500 | | |
| 039 | 325794-9 | RING 10A | | 1 | | 73182990 | | |
| 040 | 424267-0 | CUSHION RING 12 | | 1 | | 40169390 | | |
| 041 | 325798-1 | O-RING CASE A | | 1 | | 73182990 | | |
| 042 | 213073-6 | O RING 9 | | 1 | | 40169320 | | |
| 043 | 233979-2 | RING SPRING 28 | | 1 | | 73209090 | | |
| 044 | 325784-2 | STRIKER | | 1 | | 73182990 | | |
| 045 | 213258-4 | O RING 17.5 | | 1 | | 40169320 | | |
| 046 | 310345-1 | PISTON CYLINDER | | 1 | | 84679900 | | |
| 047 | 346036-8 | GUIDE PLATE | | 1 | | 73182990 | | |
| 048 | 324215-8 | PISTON JOINT | | 1 | | 73182990 | | |

Model No. HR2630 26MM COMBINATION HAMMER

| Item | Parts No. | Description | I/C | QTY | N/O | Opt. 1 | Opt. 2 | NOTE |
|------|-----------|-----------------------------|-----|-----|-----|----------|--------|------|
| 049 | 234098-7 | COMPRESSION SPRING 14 | | 1 | | 73209090 | | |
| 050 | 210028-2 | BALL BEARING 606ZZ | | 1 | | 84821090 | | |
| 051 | 257336-0 | STOP RING EXT U-6 | | 1 | | 73182990 | | |
| 052 | 253186-1 | FLAT WASHER 7 | | 1 | | 84679900 | | |
| 053 | 233360-7 | COMPRESSION SPRING 4 | | 1 | | 73209090 | | |
| 054 | 346831-6 | LOCK PLATE | | 1 | | 73182990 | | |
| 055 | 326448-1 | CAM SHAFT | | 1 | | 84831099 | | |
| 056 | 227359-2 | SPUR GEAR 10 | | 1 | | 84679900 | | |
| 057 | 332125-5 | CLUTCH CAM | | 2 | | 84839000 | | |
| 058 | 219014-0 | SWASH BEARING 10 | | 1 | | 84821090 | | |
| 059 | 257321-3 | RING 8 | | 1 | | 73182990 | | |
| 060 | 310344-3 | BEARING BOX | | 1 | | 84833000 | | |
| 061 | 211032-4 | BALL BEARING 608ZZ | | 1 | | 84821090 | | |
| 062 | 266437-3 | HEX. SOCKET HEAD BOLT M4X16 | | 2 | | 73181500 | | |
| 063 | 285735-6 | BEARING RETAINER | | 1 | | 84679900 | | |
| 064 | 227719-8 | HELICAL GEAR 26 | | 1 | | 84679900 | | |
| 065 | 213728-3 | O-RING 68 | | 1 | | 40169320 | | |
| 069 | 141572-7 | INNER HOUSING COMPLETE | | 1 | | 84679900 | | |
| C10 | 443153-6 | FELT | | 1 | | 84679900 | | |
| 070 | 213407-3 | O RING 26 | | 1 | | 40169320 | | |
| 071 | 213678-2 | OIL SEAL 12 | | 1 | | 40169330 | | |
| 072 | 262569-4 | SLEEVE 9 | | 1 | | 73182990 | | |
| 073 | 211097-6 | BALL BEARING 6000LLB | | 1 | | 84821090 | | |
| 074 | 961006-2 | RETAINING RING S-10 | | 1 | | 73182990 | | |
| 075 | 240121-8 | FAN 65 | | 1 | | 84145190 | | |
| 076 | 515359-7 | ARMATURE ASSEMBLY 240V | | 1 | | 85030090 | | |
| D10 | | INC. 72-75,77,78 | | | | | | |
| 077 | 681652-2 | INSULATION WASHER | | 1 | | 73182200 | | |
| 078 | 210023-2 | BALL BEARING 627DDW | | 1 | | 84821090 | | |
| 079 | 267804-5 | WAVE WASHER 15 | | 1 | | 73182200 | | |
| 083 | 266361-0 | TAPPING SCREW 4X30 | | 2 | | 73181500 | | |
| 084 | 451527-7 | BAFFLE PLATE | | 1 | | 73182990 | | |
| 085 | 626634-7 | FIELD 240V | | 1 | | 85030090 | | |
| 086 | 451536-6 | MOTOR HOUSING | | 1 | | 84679900 | | |
| 087 | 850M21-8 | HR2630 NAME PLATE | | 1 | | | | |
| 088 | 819390-8 | CLEAR LABEL | | 1 | | 83100090 | | |
| 089 | 194074-2 | CARBON BRUSH CB-325 | | 1 | | 85452000 | | |
| 090 | 638655-7 | BRUSH HOLDER UNIT | | 1 | | 82078000 | | |
| 091 | 266556-5 | TAPPING SCREW 3X12 | | 2 | | 73181500 | | |
| 092 | 266361-0 | TAPPING SCREW 4X30 | | 4 | | 73181500 | | |
| 093 | 850M25-0 | HR2630 SERIAL NO. LABEL | | 1 | | | | |
| 094 | 819389-3 | CLEAR LABEL | | 1 | | 83100090 | | |
| 095 | 682566-8 | CORD GUARD 10 | | 1 | | 73182990 | | |
| 096 | 665890-4 | POWER SUPPLY CORD 1.0-2-4.0 | | 1 | | 85442090 | | |
| 097 | 650626-4 | SWITCH TG853TB-1 | | 1 | | 85366990 | | |
| 099 | 687682-1 | STRAIN RELIEF | | 1 | | 84679900 | | |
| 100 | 266385-6 | TAPPING SCREW 4X14 | | 1 | | 73181500 | | |
| 101 | 266326-2 | TAPPING SCREW 4X18 | | 1 | | 73181500 | | |

