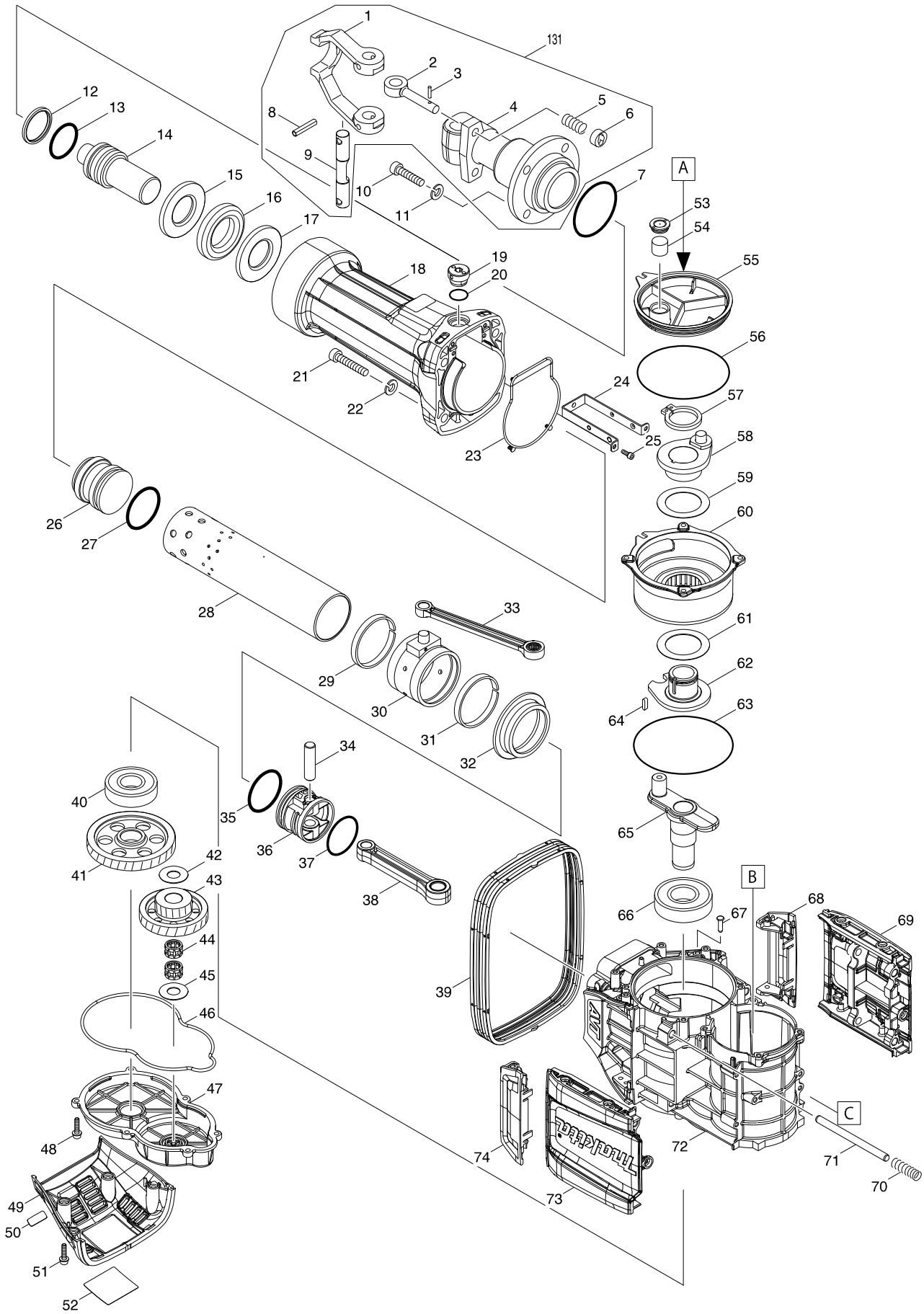
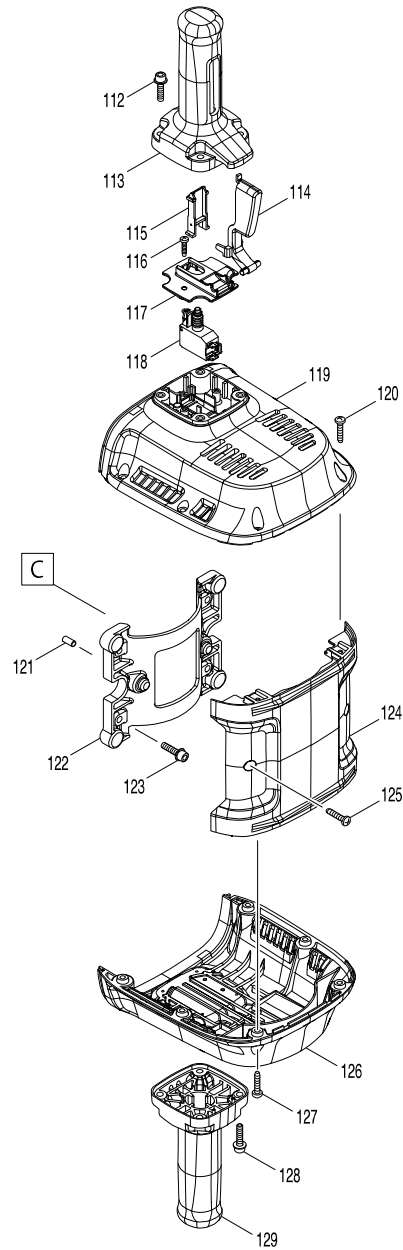
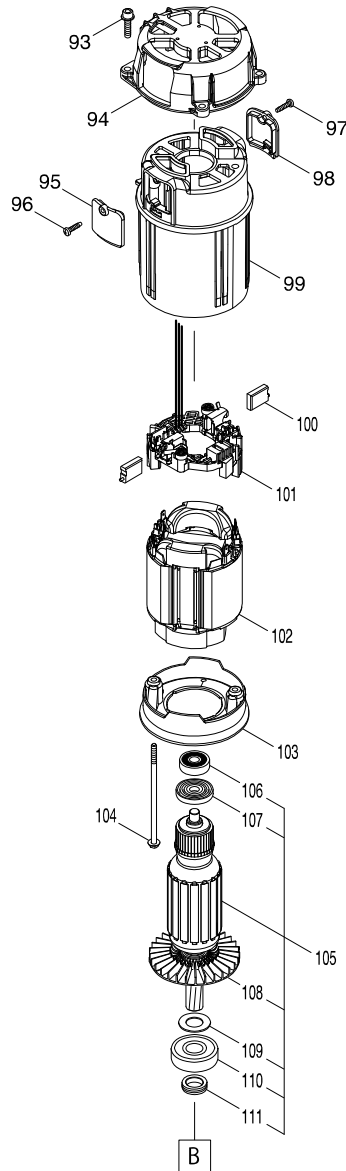
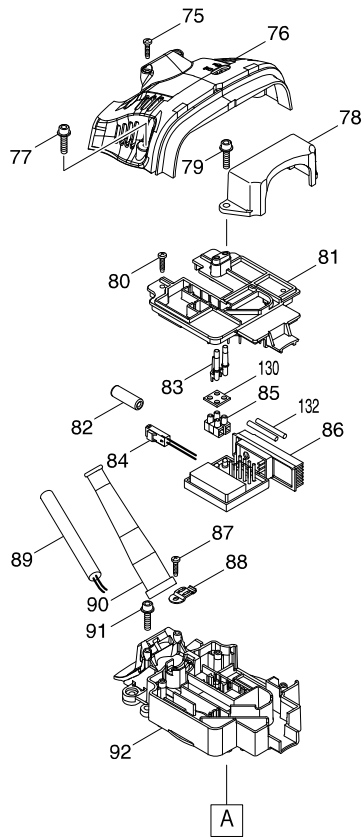


Model No. HM1812 ELECTRIC BREAKER



Model No. HM1812 ELECTRIC BREAKER



Model No. HM1812 ELECTRIC BREAKER

Item	Parts No.	Description	I/C	QTY	N/O	Opt. 1	Opt. 2	NOTE
001	324236-0	TOOL RETAINER		1		84679900		
002	322477-2	TOOL RETAINER POLE		2		84679900		
003	256219-1	PIN 4		2		73182990		
004	310616-6	TOOL HOLDER 29		1		82078000		
005	233083-7	COMPRESSION SPRING 12		2		73209090		
006	322560-5	RETAINER RING		2		73182990		
007	213757-6	O RING 80		1		40169320		
008	951272-9	SPRING PIN 8-40		2		73182990		
009	324238-6	TOOL RETAINER SHAFT		1		84679900		
010	265989-1	HEX. SOCKET BOLT M12X45		4		73181500		
011	942301-9	SPRING WASHER 12		4		73182200		
012	213797-4	X-RING 47		1		40169320		
013	213798-2	O-RING 47		1		40169320		
014	326469-3	IMPACT BOLT		1		73181500		
015	332127-1	WASHER 42		1		73182200		
016	262174-7	RUBBER RING 47		1		73182990		
017	332127-1	WASHER 42		1		73182200		
018	319218-5	BARREL		1		84679900		
019	450347-6	CAP		1		40169390		
020	213953-6	O RING 24		1		40169320		
021	922677-0	HEX. SOCKET BOLT M12X55		4		73181500		
022	942301-9	SPRING WASHER 12		4		73182200		
023	424666-6	SEAL RING A		1		40169390		
024	346840-5	PLATE		1		73182200		
025	266086-6	HEX. SOCKET HEAD BOLT M5X16		2	*	73181500		
025-1	266071-9	HEX. SOCKET HEAD BOLT M5X16	O	2				
026	326470-8	STRIKER		1		73181500		
027	213799-0	O-RING 56		1		40169320		
028	332130-2	CYLINDER LINER 66		1		84679900		
029	455492-2	SPACER 72		1		73182990		
030	123361-2	BALANCER ASSEMBLY		1		84679900		
D10		INC. 29,31						
031	455492-2	SPACER 72		1		73182990		
032	332131-0	SPACER		1		84679900		
033	142922-9	CONNECTING ROD COMPLETE		1		73182990		
034	268328-4	PIN 15 C		1		73182990		
035	213799-0	O-RING 56		1		40169320		
036	455509-1	PISTON		1		84679900		
037	213662-7	O RING 55		1		40169320		
038	455490-6	CONNECTING ROD		1		73182990		
039	424669-0	BELLOWS		1		40169390		
040	211151-6	BALL BEARING 6306LLB		1		84821090		
041	227797-8	HELICAL GEAR 57		1		84679900		
042	267290-0	FLAT WASHER 18		1		73182200		
043	226834-5	GEAR COMPLETE 23-59		1		84679900		
044	212099-5	NEEDLE CAGE 1816		2		84821090		
045	267290-0	FLAT WASHER 18		1		73182200		
046	424667-4	SEAL RING B		1		40169390		

Model No. HM1812 ELECTRIC BREAKER

Item	Parts No.	Description	I/C	QTY	N/O	Opt. 1	Opt. 2	NOTE
047	455491-4	GEAR COVER		1		84679900		
048	266923-4	H.S.HEAD BOLT M6X25 WITH GM		6		73181500		
049	455500-9	SIDE COVER B		1		73182990		
050	850X57-3	HM1812 SERIAL NO. LABEL		1				
051	266923-4	H.S.HEAD BOLT M6X25 WITH GM		4		73181500		
052	850T96-9	HM1812 NAME PLATE		1				
053	424668-2	FILTER CAP		1		40169390		
054	443127-7	FILTER		1		84219900		
055	455493-0	STOPPER		1		73182990		
056	213810-8	O-RING 124		1		40169320		
057	961156-3	RETAINING RING S-40		1		73182990		
058	142921-1	CRANK COMPLETE		1		84679900		
059	267486-3	FLAT WASHER 50		1		73182200		
060	142952-0	CRANK BOX COMPLETE		1		84679900		
061	267486-3	FLAT WASHER 50		1		73182200		
062	310619-0	COUNTER SHAFT		1		84831099		
063	213902-3	O RING 135		1		40169320		
064	254220-0	KEY 5		1		84679900		
065	310618-2	CRANK SHAFT		1		84831099		
066	211500-7	BALL BEARING 6307LLU		1		84821090		
067	256559-7	FLAT FILLISTER HD PIN 6		4		73182990		
068	455506-7	HANDLE C		1		84679900		
069	455503-3	CENTER COVER		1		73182990		
070	234349-8	COMPRESSION SPRING 12A		4		73209090		
071	326471-6	ROD 10		4		73181500		
072	142919-8	CRANK HOUSING COMPLETE		1		84679900		
073	455503-3	CENTER COVER		1		73182990		
074	455506-7	HANDLE C		1		84679900		
075	265995-6	TAPPING SCREW 4X18		2		73181500		
076	455499-8	SIDE COVER A		1		73182990		
077	266923-4	H.S.HEAD BOLT M6X25 WITH GM		4		73181500		
078	455510-6	BRACKET		1		73182990		
079	266923-4	H.S.HEAD BOLT M6X25 WITH GM		2		73181500		
080	265995-6	TAPPING SCREW 4X18		3		73181500		
081	455495-6	CAP COVER		1		73182990		
083	455514-8	LENS		1		90029000		
084	632E02-4	LEAD UNIT		1		84679900		
085	654531-7	TERMINAL BLOCK 2P		1		73182990		
086	620365-0	CONTROLLER		1		84679900		
087	265995-6	TAPPING SCREW 4X18		1		73181500		
088	687169-3	STRAIN RELIEF		1		73182990		
089	695137-2	POWER SUPPLY CORD 1.5-2-5.0		1		85442090		
090	682560-0	CORD GUARD 10		1		73182990		
091	266923-4	H.S.HEAD BOLT M6X25 WITH GM		2		73181500		
092	455494-8	CRANK HOUSING CAP		1		73182990		
093	266923-4	H.S.HEAD BOLT M6X25 WITH GM		4		73181500		
094	319220-8	BEARING BOX		1		84833000		
095	455498-0	BRUSH HOLDER COVER		1		84679900		

Model No. HM1812 ELECTRIC BREAKER

Item	Parts No.	Description	I/C	QTY	N/O	Opt. 1	Opt. 2	NOTE
096	265995-6	TAPPING SCREW 4X18		1		73181500		
097	265995-6	TAPPING SCREW 4X18		1		73181500		
098	455498-0	BRUSH HOLDER COVER		1		84679900		
099	455496-4	MOTOR HOUSING		1		84679900		
100	197129-2	CARBON BRUSH CB-218		1		85452000		
101	632E01-6	BRUSH HOLDER UNIT		1	*	84679900		
101-1	632L58-9	BRUSH HOLDER UNIT	<	1				
102	636409-6	FIELD 240V		1		85030090		
103	455497-2	BAFFLE PLATE		1		73182990		
104	266922-6	+ HEX. BOLT M5X120 WITH GM		2		73181500		
105	517914-1	ARMATURE ASS'Y 240V		1		85030090		
D10		INC. 106-111						
106	211087-9	BALL BEARING 6200DDW		1		84821090		
107	681630-2	INSULATION WASHER		1		73182200		
108	240156-9	FAN 90		1				
109	267487-1	FLAT WASHER 17		1				
110	211152-4	BALL BEARING 6303LLU		1		84821090		
111	332129-7	SEALING SCREW		1		73181500		
112	266923-4	H.S.HEAD BOLT M6X25 WITH GM		4		73181500		
113	455504-1	HANDLE A		1		84679900		
114	455508-3	SWITCH LEVER		1		39269099		
115	455511-4	SWITCH GUIDE		1		84679900		
116	265995-6	TAPPING SCREW 4X18		1		73181500		
117	455507-5	SWITCH COVER		1		39269099		
118	650738-3	SWITCH C3JW-C-P		1		85366990		
119	455502-5	HANDLE BASE A		1		84679900		
120	266041-8	TAPPING SCREW 5X25		6		73181500		
121	256269-6	PIN 6		2		73182990		
122	319222-4	BASE		1		84679900		
123	266923-4	H.S.HEAD BOLT M6X25 WITH GM		4		73181500		
124	455501-7	HEAD COVER		1		73182990		
125	266041-8	TAPPING SCREW 5X25		2		73181500		
126	455512-2	HANDLE BASE B		1		84679900		
127	266041-8	TAPPING SCREW 5X25		6		73181500		
128	266923-4	H.S.HEAD BOLT M6X25 WITH GM		4		73181500		
129	455505-9	HANDLE B		1		84679900		
130	685756-2	RUBBER SHEET		1		40169390		
131	135669-2	TOOL HOLDER ASS'Y		1		84679900		
D10		INC. 1-6,8,9						
132	684970-7	GLASS CLOTH TUBE 3.5-45		2	*	40169390		
132-1	684670-9	VARNISHED POLYESTER TUBE	O	2				
A01	783203-8	HEX. WRENCH 5		1		82041120		
A02	D-17631	BULL POINT 410		1		82075000		