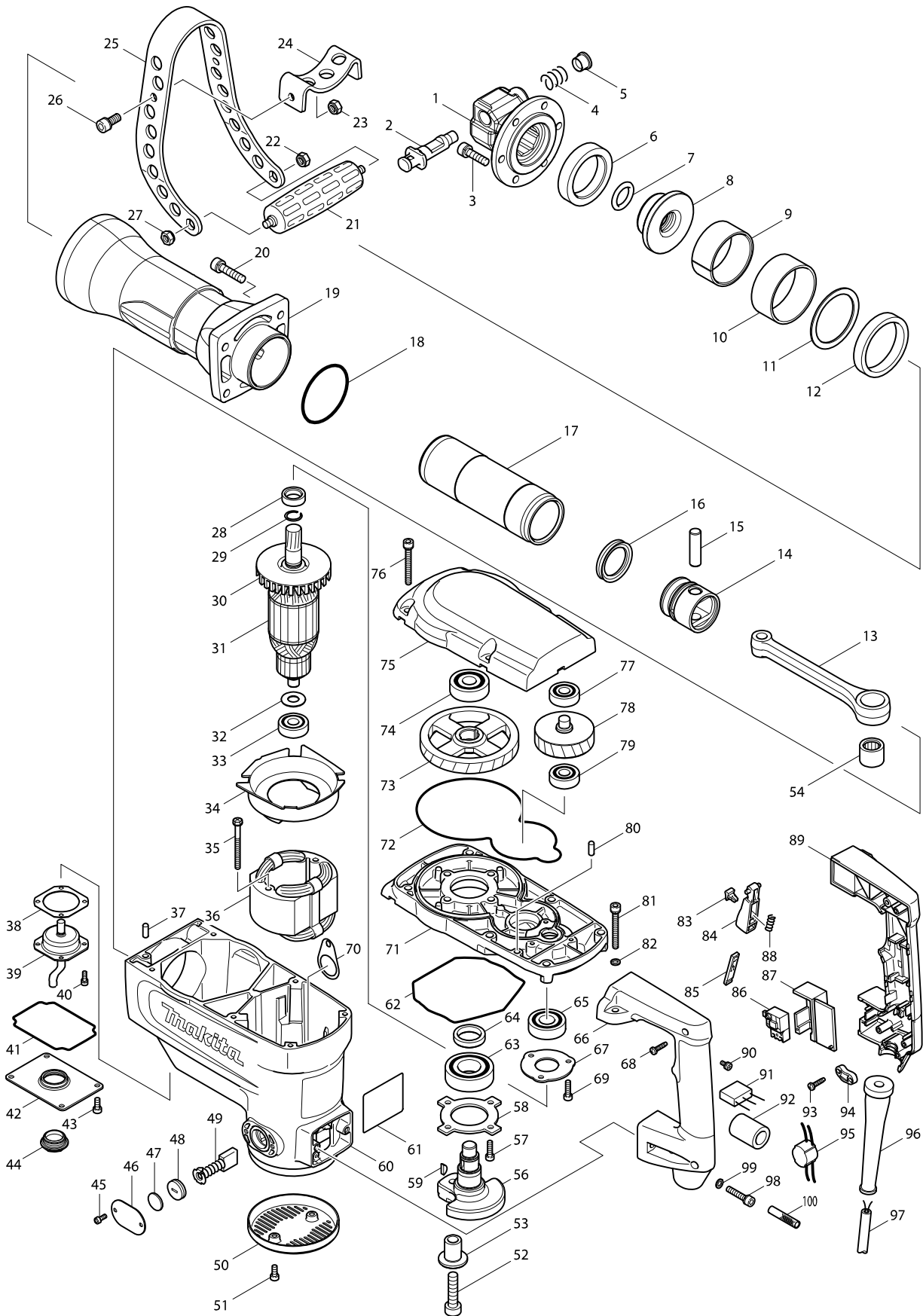


Model No. HM1306 DEMOLITION HAMMER



Model No. HM1306 DEMOLITION HAMMER

Item	Parts No.	Description	I/C	QTY	N/O	Opt. 1	Opt. 2	NOTE
001	324820-1	TOOL HOLDER		1	*	82078000		
001-1	326768-3	TOOL HOLDER	<	1		84679900		
002-1	324942-7	TOOL RETAINER		1		84679900		
003	266010-9	HEX. SOCKET HEAD BOLT M8X30		6	*	73181500		
003-1	265691-6	HEX.SOCKET HEAD BOLT M8X30	<	6				
004-1	233309-7	COMPRESSION SPRING 17		1		73209090		
005	324135-6	RETAINER SLEEVE		1		73182990		
006	262137-3	URETHANE RING 49		1		73182990		
007	213388-1	O RING 24		1		40169320		
008	324821-9	SEAL HOLDER		1		82078000		
009	324824-3	IDLER		1		84679900		
010	262536-9	RUBBER SLEEVE 64		1		73182990		
011	267146-7	FLAT WASHER 58		1		73182200		
012	262068-6	URETHANE RING 59		1		73182990		
013	324832-4	CONNECTING ROD		1		73182990		
014	318193-2	PISTON		1		84679900		
015	256238-7	PIN 12		1		73182990		
016	213494-2	Y RING 34		1		40169320		
017	324822-7	HAMMER		1		82052000		
018	213701-3	O RING 65		1		40169320		
019	318190-8	BARREL		1	*	84679900		
019-1	319478-9	BARREL	S	1				
020	266011-7	HEX. SOCKET HEAD BOLT M8X35		4	*	73181500		
020-1	265367-5	HEX. SOCKET HEAD BOLT M8X40	S	4	*			
020-2	265692-4	HEX.SOCKET HEAD BOLT M8X40	<	4				
021	273518-6	GRIP 37		1		40169390		
022	252005-8	HEX. NUT M8-13		1		73181500		
023	252005-8	HEX. NUT M8-13		2		73181500		
024	345474-1	HANDLE CLAMP		1		73182990		
025	345473-3	SIDE HANDLE		1		73182990		
026	922431-2	HEX. SOCKET HEAD BOLT M8X20		2		73181500		
027	252005-8	HEX. NUT M8-13		1		73181500		
028	257260-7	RING 17		1		73182990		
029	233933-6	RING SPRING 15		1		73209090		
030	241870-0	FAN 80		1		84145190		
031	517774-1	ARMATURE ASS'Y 240V		1		85030090		
D10		INC. 30,32,33						
032	267024-1	FLAT WASHER 12		1		73182200		
033	211106-1	BALL BEARING 6201LLB		1		84821090		
034	418790-5	BAFFLE PLATE		1		73182990		
035	265345-5	+ HEX. BOLT M5X60		2		73181500		
036	526144-3	FIELD ASS'Y 240V		1	*	85030090		
C10	654197-3	RING TERMINAL		2	*	73182990		
C20	654502-4	CONNECTOR P-2		2	*	73182990		
C30	683381-3	VARNISHED POLYESTER TUBE		2	*			
D10		INC. 70			*			
036-1	526234-2	FIELD ASS'Y 240V	<	1				
C10	654197-3	RING TERMINAL		2		73182990		

Model No. HM1306 DEMOLITION HAMMER

Item	Parts No.	Description	I/C	QTY	N/O	Opt. 1	Opt. 2	NOTE
C20	654502-4	CONNECTOR P-2		2		73182990		
C30	683381-3	VARNISHED POLYESTER TUBE		2				
D10		INC. 70						
037	256111-1	PIN 6		1		73182990		
038	442139-7	HOLDER SEAL		1		40169390		
039	158388-3	FELT COMPLETE		1		84679900		
040	922116-0	HEX. SOCKET HEAD BOLT M4X12		4		73181500		
041	424053-9	SEAL RING C		1		40169390		
042	158538-0	OIL TANK COVER COMPLETE		1		84679900		
C10	812124-8	OIL INDICATION LABEL		1		39199090		
043	265903-7	HEX. SOCKET HEAD BOLT M5X12		4		73181500		
044	242502-2	OIL GAUGE		1		90314900		
045	266167-6	HEX. SOCKET HEAD BOLT M4X10		4		73181500		
046	344975-6	HOLDER CAP PLATE		2		73182200		
047	421034-4	CAP RUBBER		2		40169390		
048	643700-5	BRUSH HOLDER CAP 7-18		2		82078000		
049	191957-7	A.C. CARBON BRUSH CB-204		1		85452000		
050	284067-8	REAR COVER		1	*	84679900		
050-1	347080-8	REAR COVER	<	1				
051	265903-7	HEX. SOCKET HEAD BOLT M5X12		2		73181500		
052	266276-1	HEX.SOCKET HEAD BOLT M10X40		1	*	73181500		
052-1	265693-2	HEX.SOCKET HEAD BOLT M10X40	<	1				
053	331792-3	CRANK SLEEVE		1		84679900		
054	212263-8	NEEDLE ROLLER BEARING 1820		1		84821090		
056	324823-5	CRANK SHAFT		1		84831099		
057	265853-6	HEX. SOCKET HEAD BOLT M5X18		4		73181500		
058	285730-6	BEARING RETAINER 65		1		84679900		
059	254001-2	WOODRUFF KEY 4		2		84679900		
060	158386-7	MOTOR HOUSING COMPLETE		1	*	84679900		
C10	643713-6	BRUSH HOLDER		2	*	82078000		
060-1	140F52-6	MOTOR HOUSING COMPLETE	<	1				
C10	643713-6	BRUSH HOLDER		2		82078000		
061	864243-6	HM1306 NAME PLATE		1				
062	424048-2	SEAL RING A		1		40169390		
063	211373-8	BALL BEARING 6205LLU		1		84821090		
064	257286-9	RING 25		1		73182990		
065	211281-3	BALL BEARING 6203LLU		1		84821090		
066	188387-1	HANDLE SET		1		84679900		
D10		INC. 89						
067	285729-1	BEARING RETAINER 48		1		84679900		
068	265995-6	TAPPING SCREW 4X18		3		73181500		
069	265853-6	HEX. SOCKET HEAD BOLT M5X18		3		73181500		
070	681018-6	PAPER WASHER		2		73182200		
071	318191-6	GEAR HOUSING		1		84679900		
072	424049-0	SEAL RING B		1		40169390		
073	226671-7	HELICAL GEAR 65		1		84679900		
074	211211-4	BALL BEARING 6302LLB		1		84821090		
075	318192-4	GEAR HOUSING COVER		1		84679900		

Model No. HM1306 DEMOLITION HAMMER

Item	Parts No.	Description	I/C	QTY	N/O	Opt. 1	Opt. 2	NOTE
076	266304-2	HEX. SOCKET HEAD BOLT M6X50		4		73181500		
077	211107-9	BALL BEARING 6201ZZ		1		84821090		
078	158387-5	HELICAL GEAR 37 COMPLETE		1		84834000		
079	211107-9	BALL BEARING 6201ZZ		1		84821090		
080	256111-1	PIN 6		1		73182990		
081	266304-2	HEX. SOCKET HEAD BOLT M6X50		2		73181500		
082	941152-7	FLAT WASHER 6		2		73182200		
083	415805-9	LOCK BUTTON		1		84679900		
084	417544-7	SWITCH LEVER		1		84679900		
085	415806-7	LOCK PLATE		1		84679900		
086	651922-3	SWITCH TG71B		1	*	85366990		
086-1	650677-7	SWITCH C3PA-1112	<	1	*	85366990		
086-2	650677-7	SWITCH C3PA-1112	X	1		85366990		
087	421778-6	SWITCH BOX		1		85369090		
088	231457-6	COMPRESSION SPRING 3		1		73209090		
089	188387-1	HANDLE SET		1		84679900		
D10		INC. 66						
090	652014-1	PAN HEAD SCREW M4X8		1		73181500		
093	265995-6	TAPPING SCREW 4X18		2		73181500		
094	687053-2	STRAIN RELIEF		1		84679900		
096	682560-0	CORD GUARD 10		1		73182990		
097	665263-1	POWER SUPPLY CORD 1.00-3-5.0		1		85442090		
098	266158-7	HEX. SOCKET HEAD BOLT M6X30		2		73181500		
099	941152-7	FLAT WASHER 6		2		73182200		
100	683607-3	VARNISHED POLYESTER TUBE 8-40		1				
101	213218-6	O RING 16	S	1		40169320		
A01	181118-7	OIL SUPPLY 100CC		1		34039900		
A02	781012-9	WRENCH 23		1		82041120		
A03	798029-5	BULL POINT 30-410		1				
A04	182714-4	STEEL CARRYING CASE		1				
C10	819140-1	MAKITA LOGO LABEL		1				