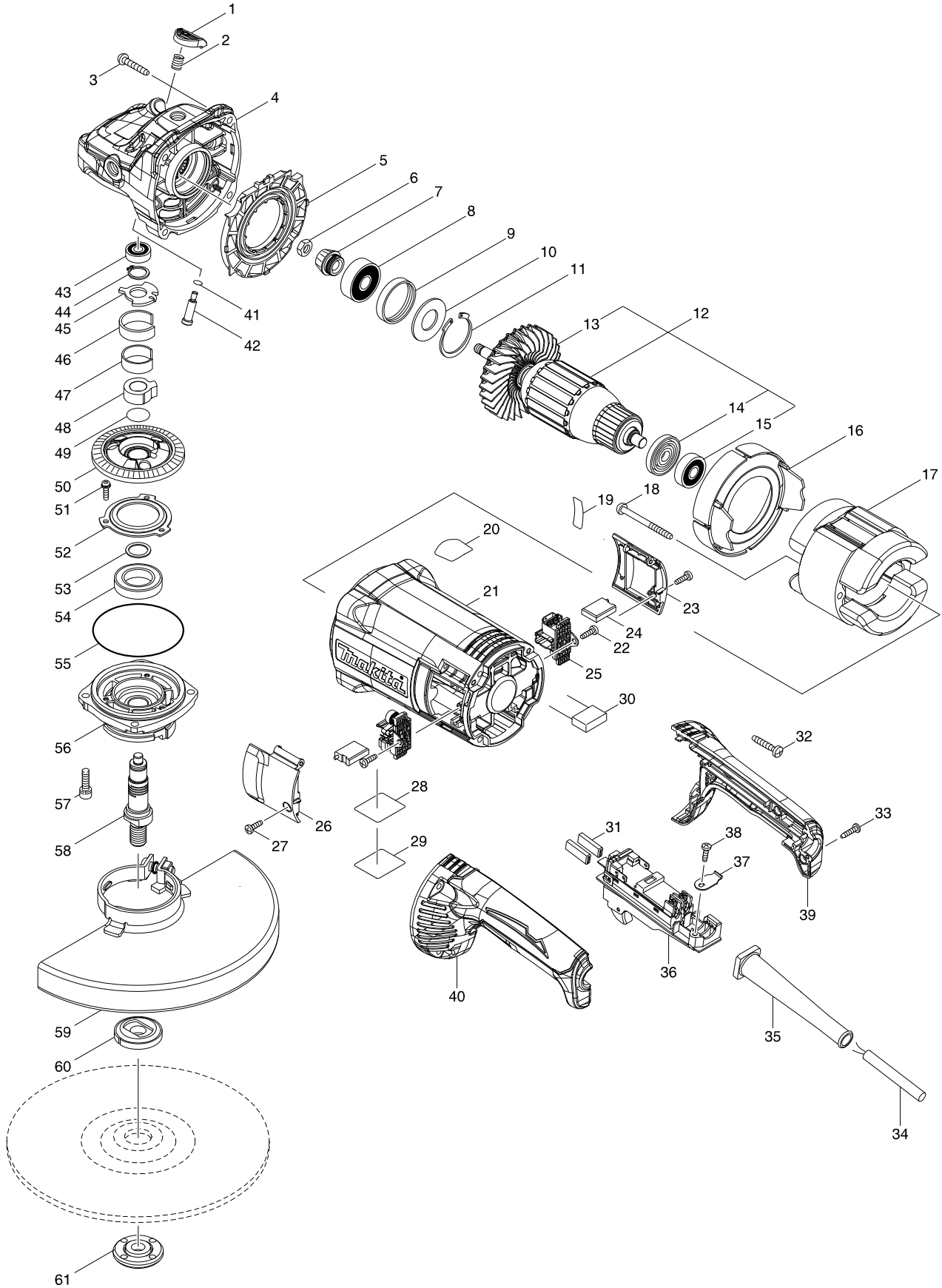


# Model No. GA9061 230MM ANGLE GRINDER



# Model No. GA9061 230MM ANGLE GRINDER

Item	Parts No.	Description	I/C	QTY	N/O	Opt. 1	Opt. 2	NOTE
001	456247-8	PIN CAP		1		40169390		
002	234391-9	COMPRESSION SPRING 8		1		73209090		
003	251489-7	TAPPING SCREW 5X30		4		73181500		
004	143485-8	GEAR HOUSING COMPLETE		1		84679900		
C10	263002-9	RUBBER PIN 4		1		40169390		
005	456238-9	DIFFUSER		1		84679900		
006	252194-9	HEX. NUT M8		1		73181500		
007	227652-4	SPIRAL BEVEL GEAR 13		1		84679900		
008	211132-0	BALL BEARING 6301DDW		1		84821090		
009	262085-6	RUBBER RING 38		1		73182990		
010	267299-2	FLAT WASHER 20		1		73182200		
011	962211-4	RETAINING RING R-42		1		73182990		
012	513449-0	ARMATURE ASS'Y 240V		1		85030090		
D10		INC. 13-15						
013	240161-6	FAN 86		1		84145190		
014	681630-2	INSULATION WASHER		1		73182200		
015	211087-9	BALL BEARING 6200DDW		1		84821090		
016	456239-7	BAFFLE PLATE		1		73182990		
017	621779-6	FIELD 240V		1		85030090		
018	266044-2	TAPPING SCREW 5X60		2		73181500		
019	851V63-9	GA9061 SERIAL NO. LABEL		1				
020	898443-6	SJS2 MARK LABEL		1		83100090		
021	456240-2	MOTOR HOUSING		1		84679900		
022	266385-6	TAPPING SCREW 4X14		2		73181500		
023	143950-7	BRUSH HOLDER COVER R COMPLETE		1	*	84679900		
023-1	456246-0	BRUSH HOLDER COVER R	>	1		73269099		
024	197129-2	CARBON BRUSH CB-218		1		85452000		
025	643714-4	BRUSH HOLDER		2	*	82078000		
025-1	643715-2	BRUSH HOLDER	<	2		82078000		
026	143949-2	BRUSH HOLDER COVER L COMPLETE		1	*	84679900		
026-1	456245-2	BRUSH HOLDER COVER L	>	1		73269099		
027	266385-6	TAPPING SCREW 4X14		2		73181500		
028	851V60-5	GA9061 NAME PLATE		1				
029	808D02-2	CLEAR LABEL		1				
031	686036-9	RECEPTACLE SLEEVE		2		73182990		
032	251489-7	TAPPING SCREW 5X30		4		73181500		
033	266326-2	TAPPING SCREW 4X18		2		73181500		
034	695107-1	POWER SUPPLY CORD 1.5-2-2.5		1		85442090		
035	682573-1	CORD GUARD 10		1		73182990		
036	632F74-5	SWITCH UNIT		1		85366990		
037	687169-3	STRAIN RELIEF		1		73182990		
038	266385-6	TAPPING SCREW 4X14		1		73181500		
039	183C63-0	HANDLE SET		1		84679900		
D10		INC. 40						
040	183C63-0	HANDLE SET		1		84679900		
D10		INC. 39						
041	213026-5	O RING 7		1		40169320		
042	256571-7	SHOULDER PIN 7		1		73182990		

Item	Parts No.	Description	I/C	QTY	N/O	Opt. 1	Opt. 2	NOTE
043	211032-4	BALL BEARING 608ZZ		1		84821090		
044	961055-9	RETAINING RING S-15		1		73182990		
045	346980-9	BALANCER		1		84679900		
046	346981-7	C TYPE PLATE 33		1		84679900		
047	346982-5	C TYPE PLATE 29		1		84679900		
048	326640-9	JOINT SLEEVE		1		73182990		
049	213859-8	O-RING 19		1		40169320		
050	227654-0	SPIRAL BEVEL GEAR 54		1		84679900		
051	911128-8	P.H.SCREW M4X16 WITH WR		3		73181500		
052	285742-9	BEARING RETAINER 59		1		84679900		
053	253725-7	FLAT WASHER 17		1				
054	211377-0	BALL BEARING 6905LLB		1				
055	213760-7	O RING 78		1		40169320		
056	143515-5	BEARING BOX COMPLETE		1		84833000		
057	265541-5	HEX. SOCKET HEAD BOLT M6X22		4		73181500		
058	326641-7	SPINDLE		1		84679900		
059	122891-0	WHEEL COVER 230K ASSEMBLY		1		84679900		
C10	213017-6	O RING 6		1		40169320		
C20	265198-2	+PAN HEAD SCREW M8X25		1		73181500		
060	224415-9	INNER FLANGE 42		1		73182990		
061	224485-8	LOCK NUT 14-45		1		73181600		
A01	143486-6	GRIP 37 COMPLETE		1		40169390		
A02	782407-9	LOCK NUT WRENCH 35		1		82041120		