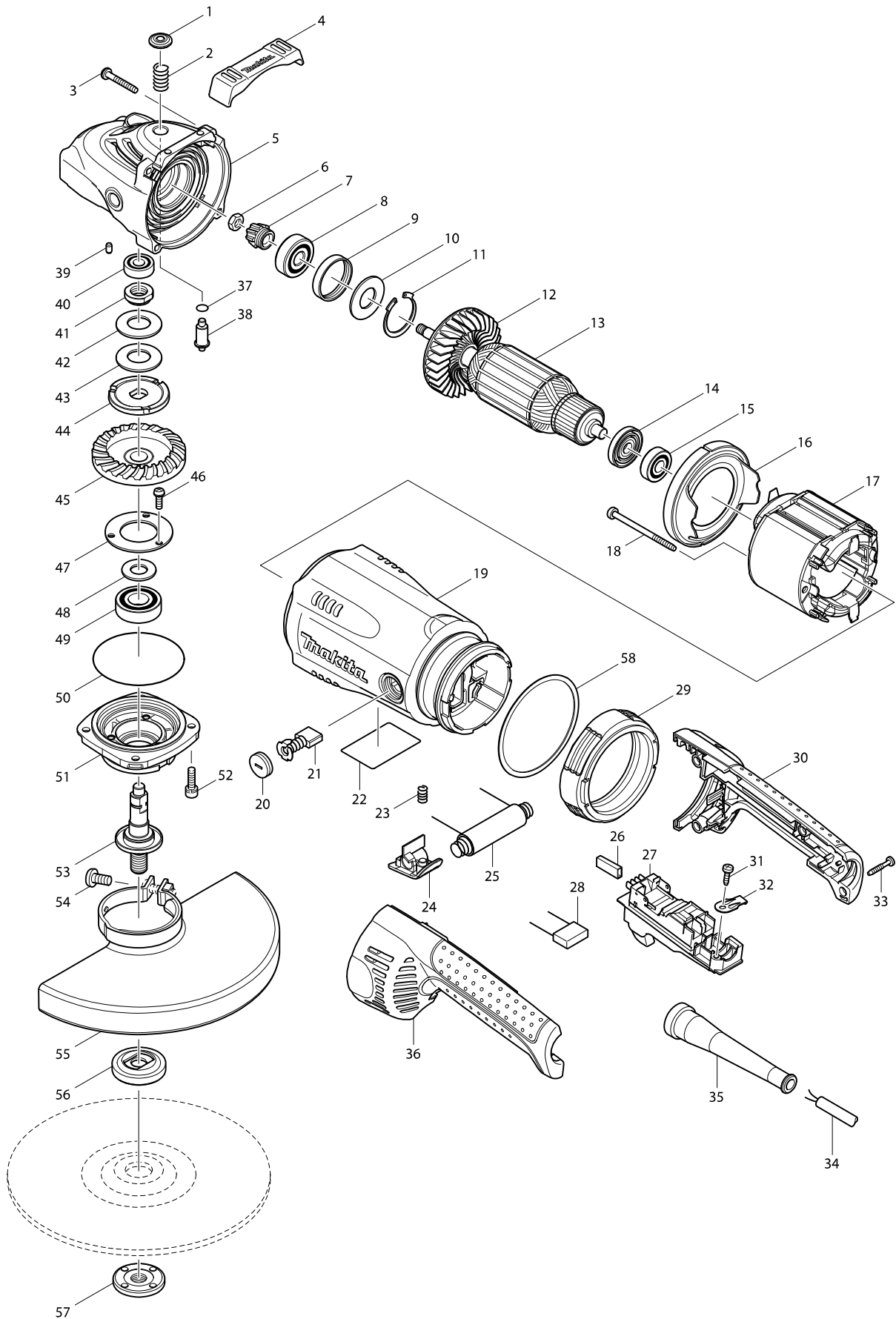


Model No. GA9040S 230MM ANGLE GRINDER



Model No. GA9040S 230MM ANGLE GRINDER

Item	Parts No.	Description	I/C	QTY	N/O	Opt. 1	Opt. 2	NOTE
001	419133-4	PIN CAP		1		40169390		
002	233292-8	COMPRESSION SPRING 12		1		73209090		
003	266012-5	TAPPING SCREW 5X35		4		73181500		
004	419144-9	BUMPER		1		84679900		
005-2	154685-5	GEAR HOUSING COMPLETE		1	*	84679900		
C10	262118-7	FELT RING 18		1	*			
005-3	142754-4	GEAR HOUSING COMPLETE	<	1		84679900		
C10	262118-7	FELT RING 18		1				
006	252194-9	HEX. NUT M8		1		73181500		
007	227490-4	SPIRAL BEVEL GEAR 12		1		84679900		
008	211132-0	BALL BEARING 6301DDW		1		84821090		
009	262085-6	RUBBER RING 38		1		73182990		
010	267299-2	FLAT WASHER 20		1		73182200		
011	962211-4	RETAINING RING R-42		1		73182990		
012	240081-4	FAN 80		1		84145190		
013-1	517834-9	ARMATURE ASS'Y 240V		1		85030090		
D10		INC. 12,14,15						
014	681630-2	INSULATION WASHER		1		73182200		
015-1	211087-9	BALL BEARING 6200DDW		1		84821090		
016	419135-0	BAFFLE PLATE		1		73182990		
017-1	526198-0	FIELD ASS'Y 220-240V		1		85030090		
C10	654197-3	RING TERMINAL		2		73182990		
C20	654502-4	CONNECTOR P-2		2		73182990		
018	266059-9	TAPPING SCREW 5X75		2		73181500		
019	154786-9	MOTOR HOUSING COMPLETE		1		84679900		
C10	643712-8	BRUSH HOLDER		2		82078000		
020	643700-5	BRUSH HOLDER CAP 7-18		2		82078000		
021	191957-7	A.C. CARBON BRUSH CB-204		1		85452000		
022	862128-0	GA9040S NAME PLATE		1				
023	233375-4	COMPRESSION SPRING 7		1		73209090		
024	419260-7	LOCK BUTTON		1		84679900		
025-1	646788-4	RESISTOR		1		85332119		
026	686036-9	RECEPTACLE SLEEVE		2		73182990		
027	651181-9	SWITCH 1362.0114		1		85366990		
029	421936-4	VIBRATION PROOF RUBBER		1		40169390		
030	188123-5	HANDLE SET		1		84679900		
C10	423350-0	SPONGE SHEET		1				
D10		INC. 36						
031	266192-7	TAPPING SCREW 4X14		1		73181500		
032	687169-3	STRAIN RELIEF		1		73182990		
033	265999-8	TAPPING SCREW 4X25		4		73181500		
034	695107-1	POWER SUPPLY CORD 1.5-2-2.5		1		85442090		
035	682560-0	CORD GUARD 10		1		73182990		
036	188123-5	HANDLE SET		1		84679900		
C10	423350-0	SPONGE SHEET		1				
D10		INC. 30						
037	213062-1	O RING 9		1		40169320		
038	256491-5	SHOULDER PIN 5		1		73182990		

Model No. GA9040S 230MM ANGLE GRINDER

Item	Parts No.	Description	I/C	QTY	N/O	Opt. 1	Opt. 2	NOTE
039	263002-9	RUBBER PIN 4		1		40169390		
040-1	211061-7	BALL BEARING 6000LLB		1		84821090		
041	252429-8	NUT M15-23		1		73181500		
042	232163-6	CUP SPRING 20		1		73209090		
043	232163-6	CUP SPRING 20		1		73209090		
044	267798-4	LOCK WASHER		1		73182200		
045	227492-0	SPIRAL BEVEL GEAR 53C		1		84679900		
046	265120-9	PAN HEAD SCREW M5X16		3		73181500		
047	285724-1	BEARING RETAINER 50		1		84679900		
048	267167-9	FLAT WASHER 15		1		73182200		
049-1	211278-2	BALL BEARING 6203DDW		1		84821090		
050	213760-7	O RING 78		1		40169320		
051	317988-0	BEARING BOX		1		84833000		
052	265541-5	HEX. SOCKET HEAD BOLT M6X22		4		73181500		
053	154777-0	SPINDLE COMPLETE		1		84679900		
054	265158-4	+PAN HEAD SCREW M8X25		1		73181500		
055	154672-4	WHEEL COVER 230 COMPLETE		1		84679900		
	D10	INC. 54						
056-1	224415-9	INNER FLANGE 42		1		73182990		
057	224543-0	LOCK NUT 14-45		1		73181600		
058	261131-2	NYLON WASHER 89		1				
059	819357-6	CLEAR LABEL		1	*			
059-1	804Y42-4	CLEAR LABEL	<	1				
A01	152539-0	GRIP 36 COMPLETE		1		84679900		
A02	782407-9	LOCK NUT WRENCH 35		1	*	82041120		
A02-1	197610-3	LOCK NUT WRENCH 35 SET	O	1				