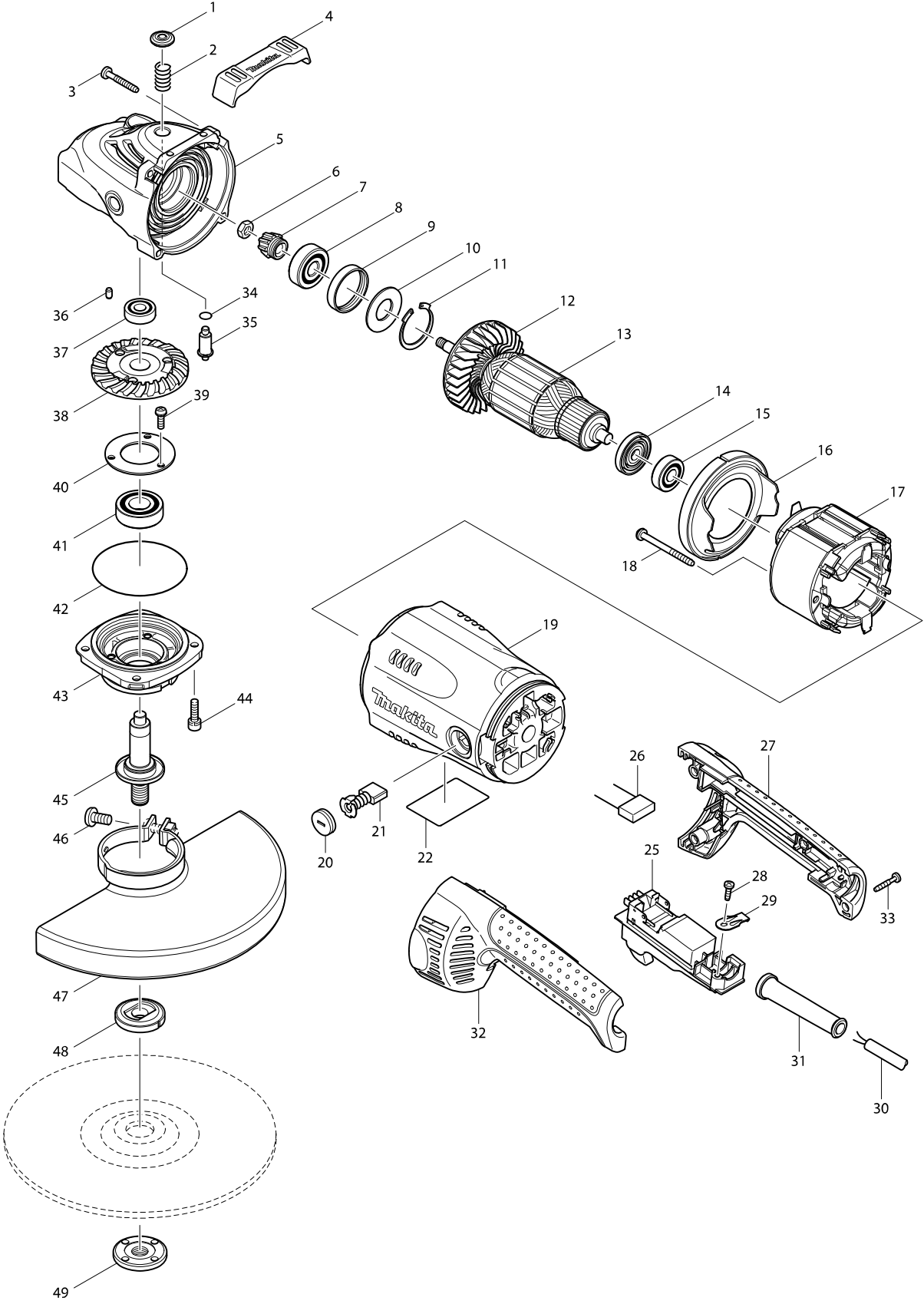


**Model No. GA9020 ANGLE GRINDER 230MM**



# Model No. GA9020 ANGLE GRINDER 230MM

Item	Parts No.	Description	I/C	QTY	N/O	Opt. 1	Opt. 2	NOTE
001-2	419133-4	PIN CAP		1		40169390		
002	233292-8	COMPRESSION SPRING 12		1		73209090		
003	266373-3	TAPPING SCREW 5X35		4		73181500		
004	419144-9	BUMPER		1		84679900		
005A	154685-5	GEAR HOUSING COMPLETE		1	*	84679900		
C10	262118-7	FELT RING 18		1	*			
005-1A	154685-5	GEAR HOUSING COMPLETE	O	1	*	84679900		
C10	262118-7	FELT RING 18		1	*			
C20	419134-2	LABYRINTH PLATE		1	*			
005-2A	154685-5	GEAR HOUSING COMPLETE	O	1	*	84679900		
C10	262118-7	FELT RING 18		1	*			
005-3A	142754-4	GEAR HOUSING COMPLETE	<	1		84679900		
C10	262118-7	FELT RING 18		1				
005-3L	142754-4	GEAR HOUSING COMPLETE		1		84679900		
C10	262118-7	FELT RING 18		1				
006	252194-9	HEX. NUT M8		1		73181500		
007	227490-4	SPIRAL BEVEL GEAR 12		1		84679900		
008	211132-0	BALL BEARING 6301DDW		1		84821090		
009	262085-6	RUBBER RING 38		1		73182990		
010	267299-2	FLAT WASHER 20		1		73182200		
011	962211-4	RETAINING RING R-42		1		73182990		
012	240081-4	FAN 80		1		84145190		
013A	516944-9	ARMATURE ASS'Y 240V		1	*			
D10		INC. 12,14,15			*			
013-1A	517794-5	ARMATURE ASS'Y 240V	<	1	*	85030090		
D10		INC. 12,14,15			*			
013-2A	510127-3	ARMATURE ASS'Y 240V	O	1				
D10		INC. 12,14,15						
013-2L	517790-3	ARMATURE ASS'Y 100-115V		1		85030090		
D10		INC. 12,14,15						
014	681630-2	INSULATION WASHER		1		73182200		
015A	210075-3	BALL BEARING 6200DDW		1	*	84821090		
015-1A	211087-9	BALL BEARING 6200DDW	O	1		84821090		
015-1L	211087-9	BALL BEARING 6200DDW		1		84821090		
016	419135-0	BAFFLE PLATE		1		73182990		
017A	526159-0	FIELD ASS'Y 240V		1	*	85030090		
C10	654197-3	RING TERMINAL		2	*	73182990		
C20	654502-4	CONNECTOR P-2		2	*	73182990		
017-1A	526159-0	FIELD ASS'Y 240V	O	1	*	85030090		
C10	654197-3	RING TERMINAL		2	*	73182990		
C20	654502-4	CONNECTOR P-2		2	*	73182990		
017-2A	526179-4	FIELD ASS'Y 240V	O	1		85030090		
C10	654197-3	RING TERMINAL		2		73182990		
C20	654502-4	CONNECTOR P-2		2		73182990		
017-2L	520071-6	FIELD ASS'Y 115V		1		85030090		
C10	654197-3	RING TERMINAL		2		73182990		
C20	654502-4	CONNECTOR P-2		2		73182990		
018A	266329-6	TAPPING SCREW 5X60		2	*	73181500		

Item	Parts No.	Description	I/C	QTY	N/O	Opt. 1	Opt. 2	NOTE
018-1A	266044-2	TAPPING SCREW 5X60	O	2		73181500		
018-1L	266044-2	TAPPING SCREW 5X60		2		73181500		
019	154671-6	MOTOR HOUSING COMPLETE		1		84679900		
C10	643712-8	BRUSH HOLDER		2		82078000		
020	643700-5	BRUSH HOLDER CAP 7-18		2		82078000		
021	191957-7	A.C. CARBON BRUSH CB-204		1		85452000		
022	861762-3	GA9020 NAME PLATE		1				
025A	651176-2	SWITCH 1267.4109		1	*	85366990		
025-1A	650101-0	SWITCH TG08-1100-011	O	1		85366990		
025-1L	650101-0	SWITCH TG08-1100-011		1		85366990		
027	188059-8	HANDLE SET		1		84679900		
C10	423350-0	SPONGE SHEET		1				
D10		INC. 32						
028	266385-6	TAPPING SCREW 4X14		1		73181500		
029A	687169-3	STRAIN RELIEF		1		73182990		
029L	687678-2	STRAIN RELIEF		1				
030A	695107-1	POWER SUPPLY CORD 1.5-2-2.5		1		85442090		
030L	665550-8	POWER SUPPLY CORD 2.5-2-2.5		1				
031A	682560-0	CORD GUARD 10		1		73182990		
031L	682561-8	CORD GUARD 11.5		1				
032	188059-8	HANDLE SET		1		84679900		
C10	423350-0	SPONGE SHEET		1				
D10		INC. 27						
033	266374-1	TAPPING SCREW 4X25		4		73181500		
034	213062-1	O RING 9		1		40169320		
035-2	256491-5	SHOULDER PIN 5		1		73182990		
036	263002-9	RUBBER PIN 4		1		40169390		
037A	210067-2	BALL BEARING 6000ZZ		1	*	84821090		
037-1A	211062-5	BALL BEARING 6000ZZ	O	1		84821090		
037-1L	211062-5	BALL BEARING 6000ZZ		1		84821090		
038	227491-2	SPIRAL BEVEL GEAR 53 A		1		84679900		
039	265120-9	PAN HEAD SCREW M5X16		3		73181500		
040	285724-1	BEARING RETAINER 50		1		84679900		
041A	211285-5	BALL BEARING 6203DDW		1	*	84821090		
041-1A	211278-2	BALL BEARING 6203DDW	O	1		84821090		
041-1L	211278-2	BALL BEARING 6203DDW		1		84821090		
042	213760-7	O RING 78		1		40169320		
043	317988-0	BEARING BOX		1		84833000		
044	265541-5	HEX. SOCKET HEAD BOLT M6X22		4		73181500		
045-1	158206-5	SPINDLE COMPLETE		1		84679900		
C10	345629-8	LABYRINTH RING 25		1		73182990		
046	265158-4	+PAN HEAD SCREW M8X25		1		73181500		
047	154672-4	WHEEL COVER 230 COMPLETE		1		84679900		
D10		INC. 46						
048-1A	224415-9	INNER FLANGE 42		1	*	73182990		
048-2A	224490-5	INNER FLANGE 14-45	O	1				
048-2L	224490-5	INNER FLANGE 14-45		1				
049	224543-0	LOCK NUT 14-45		1		73181600		

