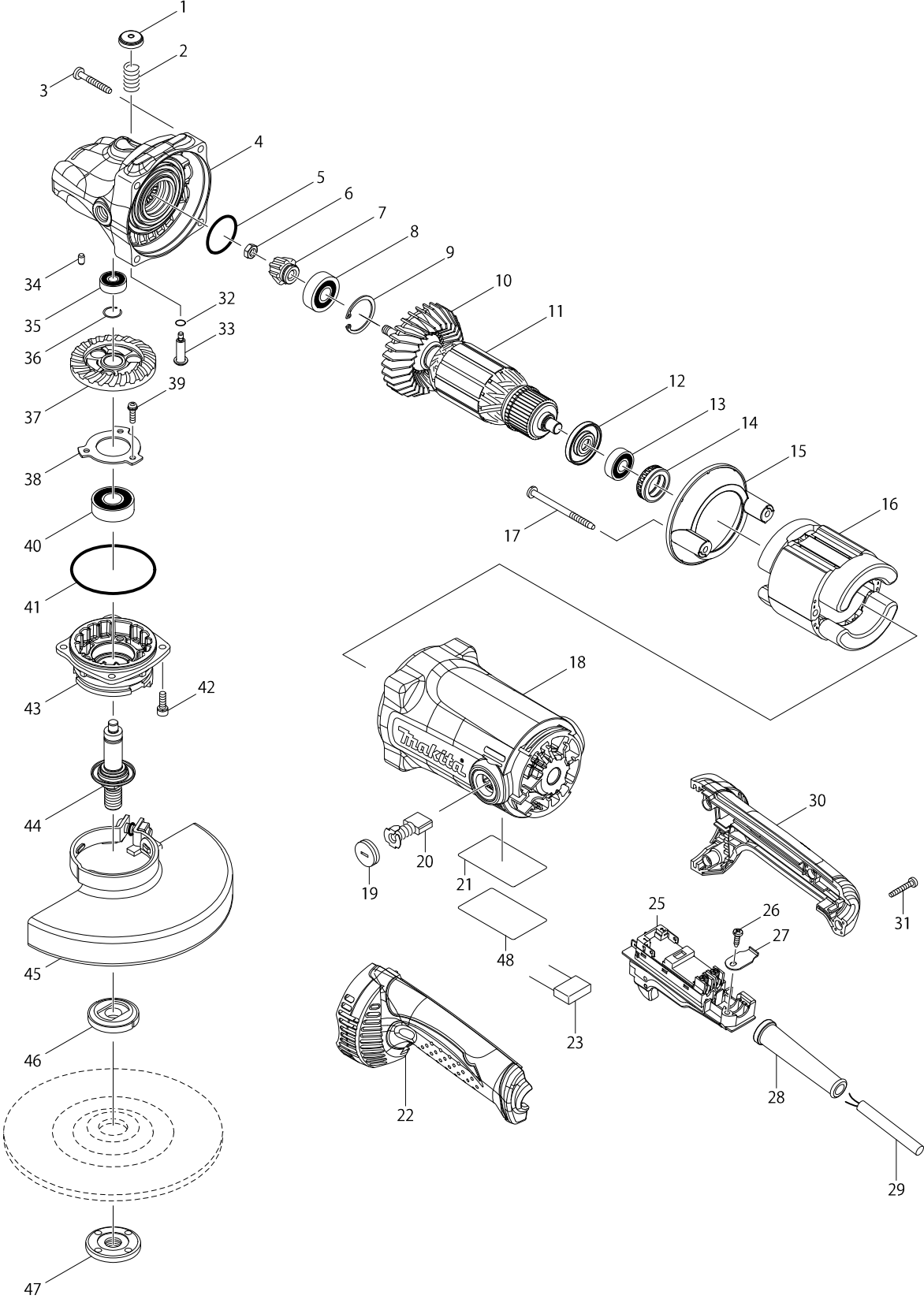


Model No. GA7050 180MM ANGLE GRINDER



Model No. GA7050 180MM ANGLE GRINDER

Item	Parts No.	Description	I/C	QTY	N/O	Opt. 1	Opt. 2	NOTE
001	451485-7	PIN CAP		1		73182990		
002	233292-8	COMPRESSION SPRING 12		1		73209090		
003	266373-3	TAPPING SCREW 5X35		4		73181500		
004	140223-9	GEAR HOUSING COMPLETE		1	*	84834000		
C10	262153-5	FELT RING 16		1	*	73182990		
004-1	143016-3	GEAR HOUSING COMPLETE	<	1				
C10	262153-5	FELT RING 16		1		73182990		
005	213487-9	O RING 31		1		40169320		
006	264010-3	HEX.NUT M7		1		73181600		
007	227564-1	SPIRAL BEVEL GEAR 10A		1		84679900		
008	211129-9	BALL BEARING 6201DDW		1	*	84821090		
008-1	211137-0	BALL BEARING 6201LLU	<	1		84821090		
009	257965-9	RETAINING RING (INT) R-32		1		73182990		
010	240120-0	FAN 80		1		84145190		
011	517854-3	ARMATURE ASSEMBLY 240V		1		85030090		
D10		INC. 10,12,13						
012	681657-2	INSULATION WASHER		1		73182200		
013	210059-1	BALL BEARING 6000DDW		1		84821090		
014	421490-8	RUBBER RING 26		1		40169390		
015	451480-7	BAFFLE PLATE		1		73182990		
016	523414-1	FIELD ASSEMBLY 240V		1		85030090		
C10	654098-5	RECEPTACLE		2		84679900		
017	266389-8	TAPPING SCREW 5X70		2	*	73181500		
017-1	266038-7	TAPPING SCREW 5X70	O	2		73181500		
018	140222-1	MOTOR HOUSING COMPLETE		1		73262090		
C10	643707-1	BRUSH HOLDER		2		82078000		
019	643700-5	BRUSH HOLDER CAP 7-18		2		82078000		
020	191957-7	A.C. CARBON BRUSH CB-204		1		85452000		
021	867553-0	GA7050 NAME PLATE		1		83100090		
022	188848-1	HANDLE SET		1		84679900		
C10	423404-3	SPONGE SHEET		1		40169390		
D10		INC. 30						
025	650101-0	SWITCH TG08-1100-011		1		85366990		
026	266385-6	TAPPING SCREW 4X14		1		73181500		
027	687169-3	STRAIN RELIEF		1		73182990		
028	682574-9	CORD GUARD 10-90		1		73182990		
029	665865-3	POWER SUPPLY CORD 1.0-2-2.5		1		85442090		
030	188848-1	HANDLE SET		1		84679900		
C10	423404-3	SPONGE SHEET		1		40169390		
D10		INC. 22						
031	266374-1	TAPPING SCREW 4X25		4		73181500		
032	213026-5	O RING 7		1		40169320		
033	256516-5	SHOULDER PIN 11		1		73182990		
034	263002-9	RUBBER PIN 4		1		40169390		
035	210029-0	BALL BEARING 608ZZ		1		84821090		
036	233925-5	RING SPRING 13		1		73209090		
037	227562-5	SPIRAL BEVEL GEAR 38		1		84679900		
038	285851-4	BEARING RETAINER		1		84679900		

Model No. GA7050 180MM ANGLE GRINDER

Item	Parts No.	Description	I/C	QTY	N/O	Opt. 1	Opt. 2	NOTE
039	911128-8	P.H.SCREW M4X16 WITH WR		3		73181500		
040	211241-5	BALL BEARING 6202DDW		1		84821090		
041	213720-9	O RING 67		1		40169320		
042	922221-3	HEX. SOCKET HEAD BOLT M5X16		4		73181500		
043	318523-7	BEARING BOX		1		84833000		
044	140224-7	SPINDLE COMPLETE A		1		84679900		
C10	346166-5	LABYRINTH RING 23		1		73182990		
045	122889-7	WHEEL COVER 180K ASSEMBLY		1		84679900		
C10	213017-6	O RING 6		1		40169320		
C20	265198-2	+PAN HEAD SCREW M8X25		1		73181500		
046	224415-9	INNER FLANGE 42		1	*	73182990		
046-1	224490-5	INNER FLANGE 14-45	O	1				
047	224543-0	LOCK NUT 14-45		1		73181600		
048	819392-4	CLEAR LABEL		1	*			
048-1	892805-0	CLEAR LABEL		1		83100090		
A01	152539-0	GRIP 36 COMPLETE		1		84679900		
A02	782407-9	LOCK NUT WRENCH 35		1		82041120		