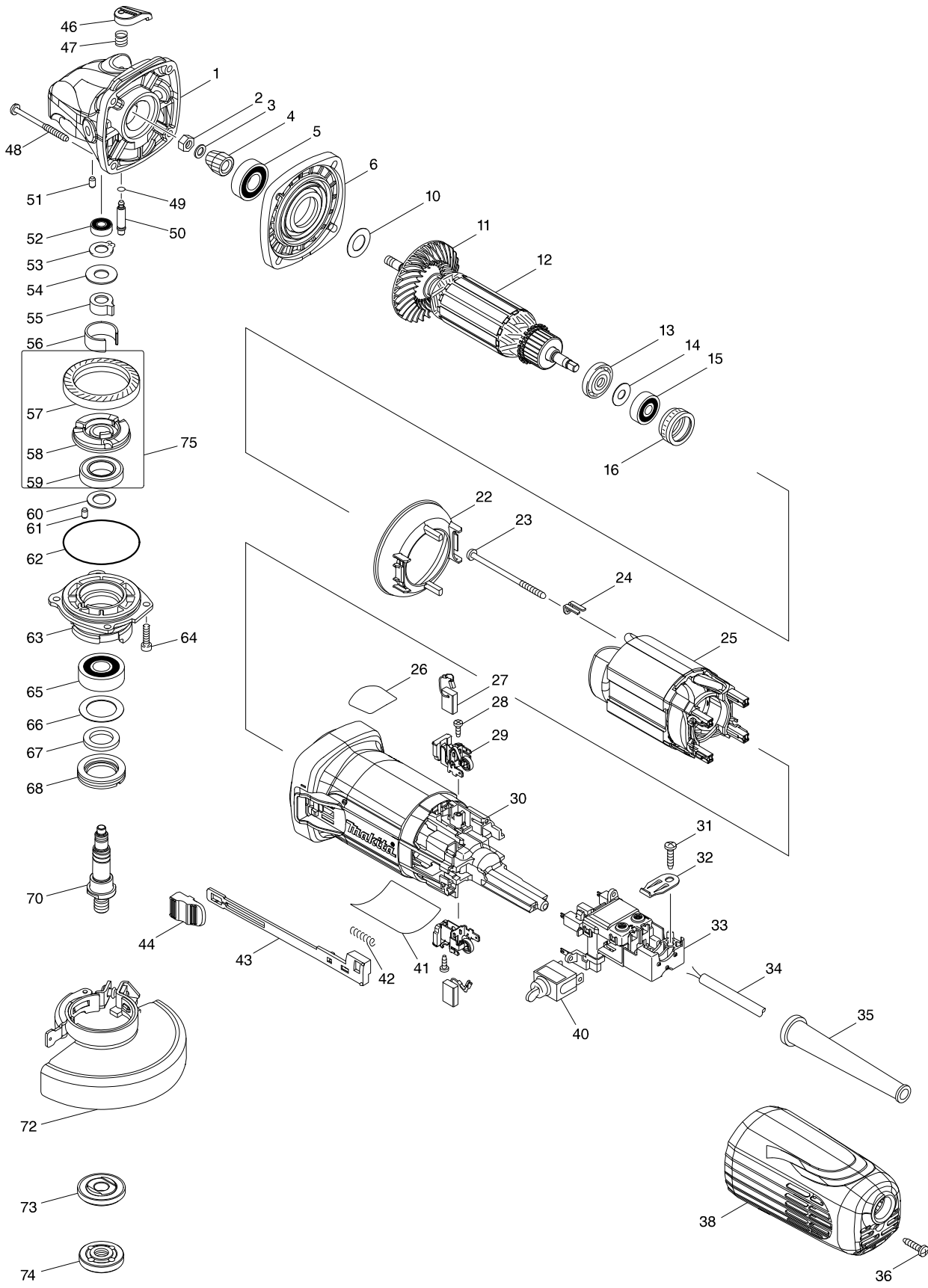


Model No. GA4040 100MM ANGLE GRINDER



Model No. GA4040 100MM ANGLE GRINDER

Item	Parts No.	Description	I/C	QTY	N/O	Opt. 1	Opt. 2	NOTE
001	168705-9	GEAR HOUSING COMPLETE		1	*	84679900		
001-1	319310-7	GEAR HOUSING	<	1	*	84679900		
001-2	136013-6	GEAR HOUSING ASS'Y	<	1		73269099		
D10		INC. 46,47,49-51						
002	252186-8	HEX. NUT M6		1		73181500		
003	253077-6	FLAT WASHER 6		1		84679900		
004	227591-8	SPIRAL BEVEL GEAR 10		1		84679900		
005	211142-7	BALL BEARING 6001LLB		1		84821090		
006	318835-8	GEAR HOUSING COVER		1	*			
006-1	141981-0	GEAR HOUSING COVER COMPLETE	<	1		84679900		
010	253084-9	FLAT WASHER 12		1		84679900		
011	240134-9	FAN 60		1		84145190		
012	515364-4	ARMATURE ASS'Y 240V		1		85030090		
D10		INC. 11,13-15						
013	681656-4	INSULATION WASHER		1		73182200		
014	253823-7	FLAT WASHER 7		1		84679900		
015	210027-4	BALL BEARING 627DDW		1		84821090		
016	421738-8	LABYRINTH RUBBER RING 22		1		40169390		
022	453367-9	BUFFLE PLATE		1		84679900		
023	266258-3	TAPPING SCREW 4X70		2		73181500		
024	344871-8	RETAINER		2		73182200		
025	626649-4	FIELD 240V		1		85030090		
026	898443-6	SJS2 MARK LABEL		1		83100090		
027	194074-2	CARBON BRUSH CB-325		1		85452000		
028	266007-8	TAPPING SCREW BIND PT 3X10		2		73181500		
029	643769-9	BRUSH HOLDER		2	*	82078000		
029-1	643770-4	BRUSH HOLDER	<	2				
030	453366-1	MOTOR HOUSING		1		84679900		
031	266326-2	TAPPING SCREW 4X18		1		73181500		
032	687169-3	STRAIN RELIEF		1		73182990		
033	638950-5	SWITCH BLOCK		1	*	84679900		
033-1	632L24-6	SWITCH BLOCK	<	1				
034	666066-6	POWER SUPPLY CORD 1.0-2-2.5		1		85442090		
035	682559-5	CORD GUARD 8		1		73182990		
036	266326-2	TAPPING SCREW 4X18		1		73181500		
038	453364-5	REAR COVER		1		84679900		
040	651418-4	SWITCH ST115A-40		1		85366990		
041	897044-7	GA4040 NAME PLATE		1		83100090		
042	233071-4	COMPRESSION SPRING 4		1		73209090		
043	453847-5	SWITCH LEVER		1		39269099		
044	453368-7	SWITCH KNOB		1		40169390		
046	453369-5	PIN CAP		1		40169390		
047	234057-1	COMPRESSION SPRING 8		1		73209090		
048	266361-0	TAPPING SCREW 4X30		4		73181500		
049	213032-0	O RING 4		1		40169320		
050	256535-1	SHOULDER PIN 6		1		73182990		
051	263002-9	RUBBER PIN 4		1		40169390		
052	210006-2	BALL BEARING 696ZZ		1		84821090		

Model No. GA4040 100MM ANGLE GRINDER

Item	Parts No.	Description	I/C	QTY	N/O	Opt. 1	Opt. 2	NOTE
053	961005-4	RETAINING RING S-9		1		73182990		
054	253180-3	FLAT WASHER 10		1		84679900		
055	310508-9	JOINT SLEEVE		1	*			
055-1	310577-0	JOINT SLEEVE	<	1	*	84679900		
055-2	310683-1	JOINT SLEEVE	<	1		73182990		
056	346556-2	C TYPE PLATE		1		73182990		
057	227592-6	SPIRAL BEVEL GEAR 38		1		84679900		
058	313228-4	COUPLING		1		84679900		
059	210302-8	BALL BEARING 6903ZZ		1		84821090		
060	253744-3	FLAT WASHER 12		1		84679900		
061	263002-9	RUBBER PIN 4		1		40169390		
062	213641-5	O RING 51		1		40169320		
063	318837-4	BEARING BOX		1	*	84833000		
063-1	136012-8	BEARING BOX ASSEMBLY	<	1		73269099		
D10		INC. 61,62						
064	265490-6	HEX. SOCKET HEAD BOLT M4X16		4		73181500		
065	211129-9	BALL BEARING 6201DDW		1		84821090		
066	267279-8	FLAT WASHER 21		1		73182200		
067	443124-3	FELT RING 17		1		84679900		
068	285854-8	BEARING RETAINER 20-33		1		84679900		
070	326129-7	SPINDLE		1		84679900		
072	122893-6	TOOLLESS WHEEL COVER 100K ASS		1		84679900		
C10	213009-5	O RING 4		1		40169320		
C20	265180-1	PAN HEAD SCREW M5X16		1		73181500		
073	224314-5	INNER FLANGE 30		1		73182990		
074	224559-5	LOCK NUT 10-30		1		73181600		
075	135555-7	COUPLING ASS'Y		1		84679900		
D10		INC. 57-59						
076	892272-9	CLEAR LABEL		1				
A01	153489-2	GRIP 36 COMPLETE		1		40169390		
A02	782401-1	LOCK NUT WRENCH 20		1		82041120		
A03	A-80852	GRINDING WHEEL 100X6X16		1		68042390		